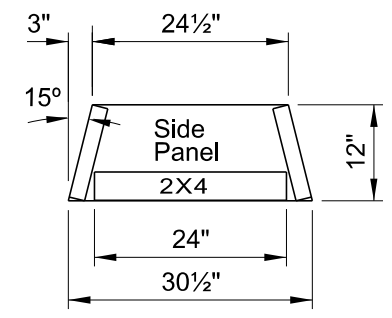
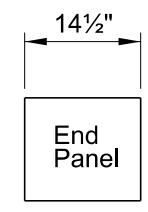
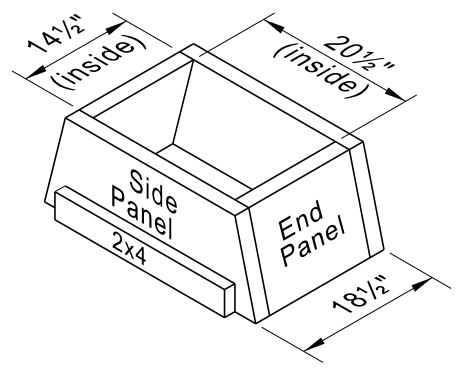
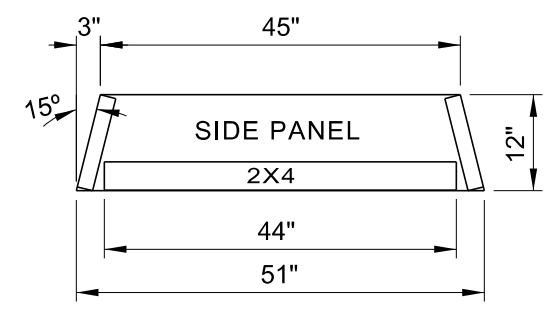
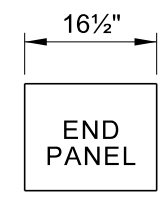
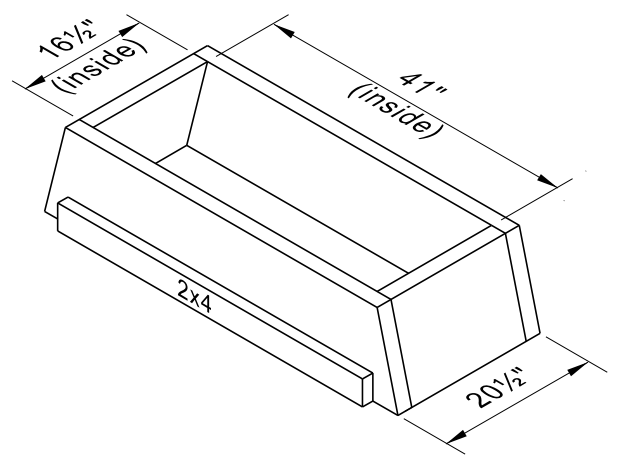


**#5 Wood Box**  
12" x 14" CI Frame and Cover





**#6 Wood Box**  
14" x 20" CI Frame and Cover



**#8 Wood Box**  
20" x 44" Steel Frame

Material: Rough cut 2" x 12" full dimension lumber, construction grade or better. Treatment to be ACQ for ground contact with current MSDS to be provided at delivery.

<p>The selection and use of this Standard Drawing, while designed in accordance with generally accepted engineering principles and practices, is the sole responsibility of the user.</p>	 PORTLAND WATER BUREAU CITY OF PORTLAND, OREGON  Chief Engineer	
	Standard Drawing Title <p style="text-align: center;"><b>Wood Boxes (5, 6 &amp; 8)</b></p>	
	Note: All material and workmanship shall be in accordance with City of Portland Standard Construction Specifications.	Effective Date June 10 2022 Calc. Book No. PWB 2E Baseline Report Date June 10 2022

Plot Date: 6/8/2022 9:42:15 AM File name: J:\Engineering\CAD\Standards\Signed\P-975\_Boxes.dgn