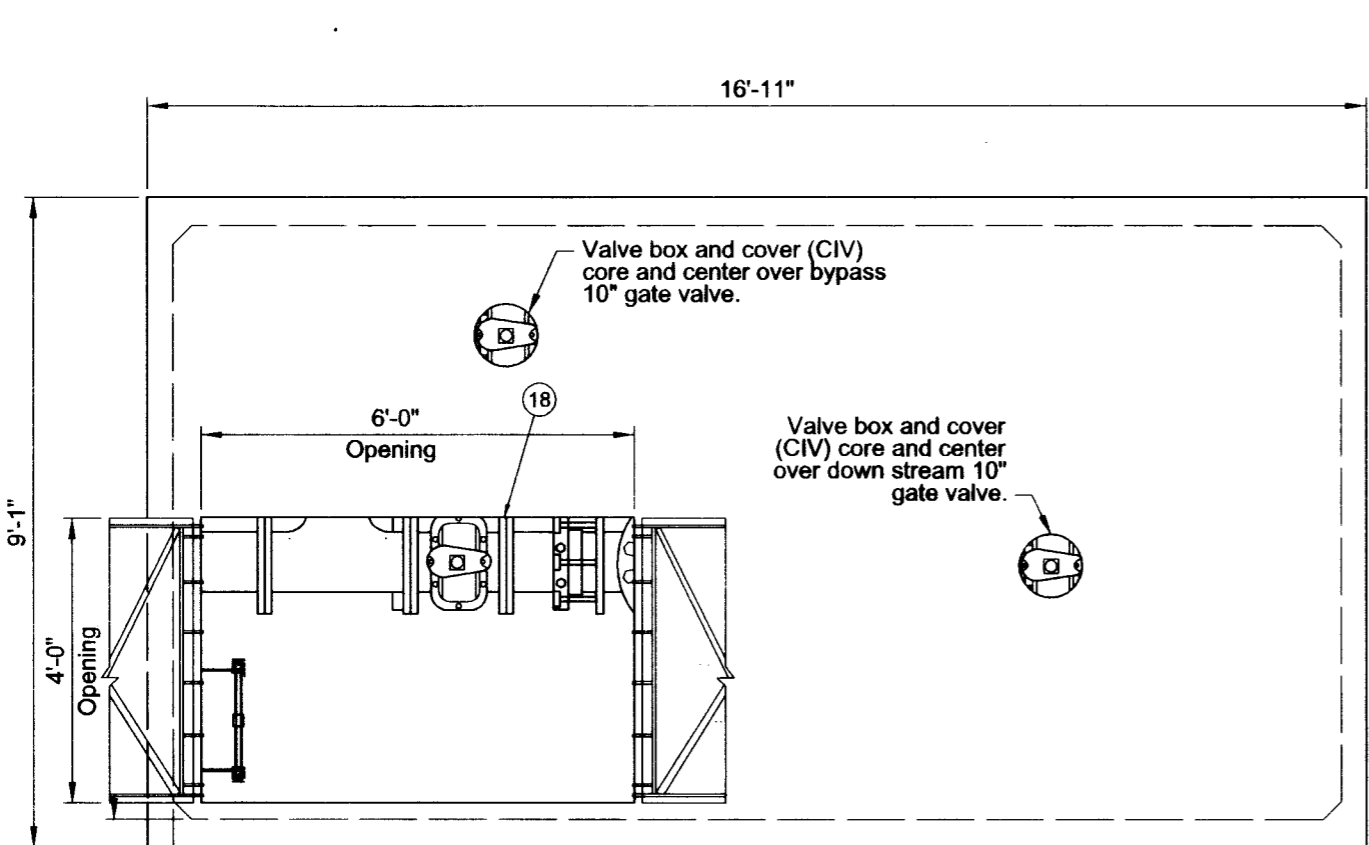
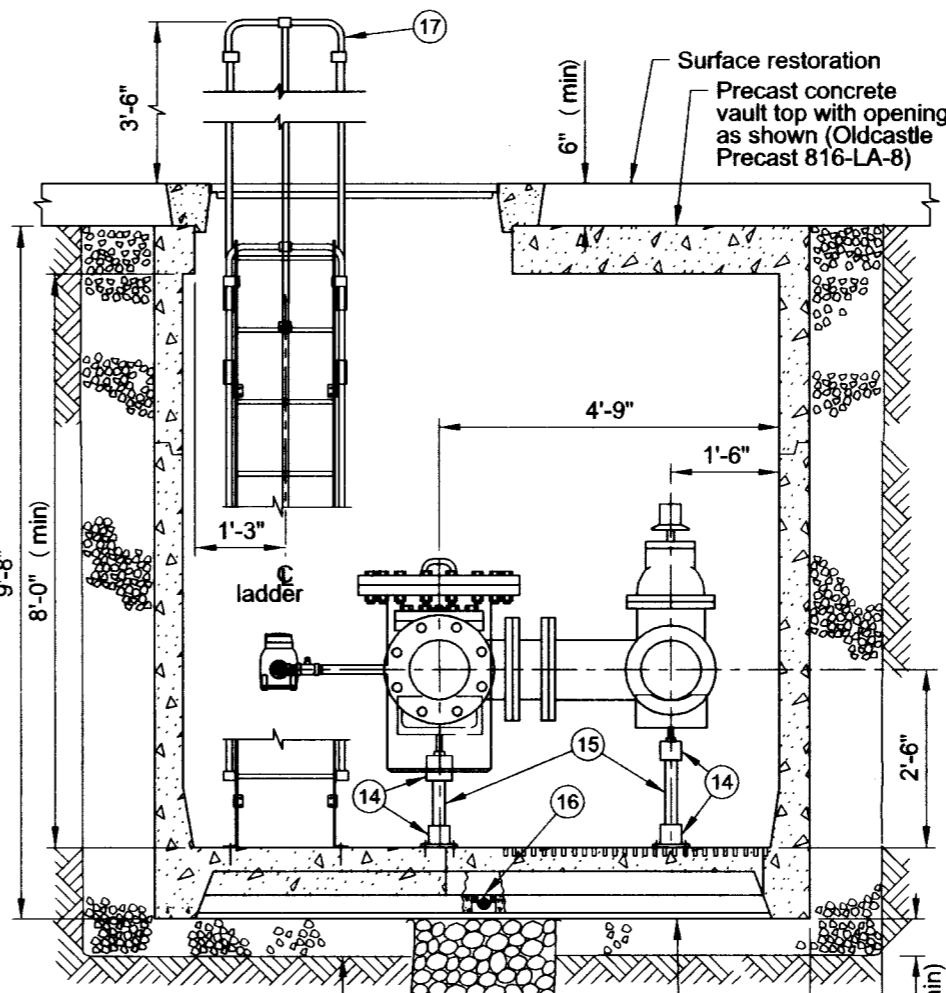


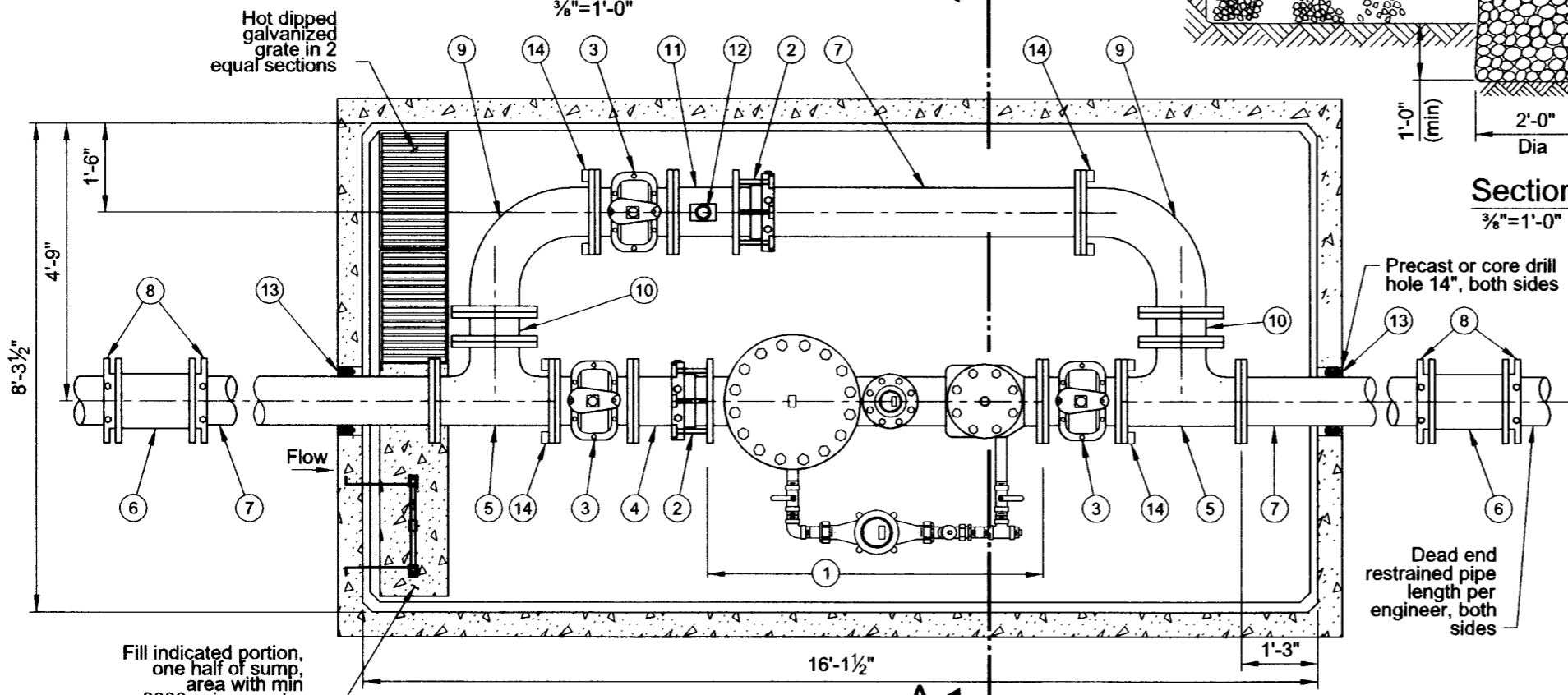
Plot Date: 8/3/2015 8:12:41 AM
 Filename: J:\Engineering\CAD\Standards\Working_Vaults\880_10\m_10\mby_8166_swk.dgn



Vault Top Plan
 $\frac{3}{8}'' = 1'-0''$



Section A-A
 $\frac{3}{8}'' = 1'-0''$



Vault Floor Plan
 $\frac{3}{8}'' = 1'-0''$

List of Parts				
Item No	Size	Qty	Description	
1	10"	1	Meter, combination with test outlet	
2	10"	2	Restrained dismantling assembly (Megaflange)	
3	10"	3	Gate Valve, FLG x FLG OL	
4	10"	1	Nipple, DI FLG X PE 8"-9" long (field fit)	
5	10"x10"x10"	2	Tee, FLG x FLG	
6	10"	2	Solid sleeve, DI MJ	
7	10"	3	Nipple, DI FLG X PE 48" long (field fit)	
8	10"	4	Gland, wedge action retainer (Megalug)	
9	10"	2	Bend, DI FLG long radius 90 degrees	
10	10"	2	Spool, DI FLG x FLG 6" long	
11	10"x10"x2"	1	Drip tee, FLG x FLG x FIPT	
12	2"	1	Gate valve, brass with plug	
13	10"	2	Seal, mechanical penetration (Link Seal LS-400-C-10)	
14	10"	4	Adjustable pipe support, hot dipped galvanized	
15	2"	4	Pipe, galvanized steel (field fit)	
16	4"	1	Drain check valve	
17		1	Ladder, galvanized steel with aluminum extension (field fit) (Oldcastle Precast)	
18	4'-0"x6'-0"	1	Hatch, aluminum double leaf H-20 rated (Syracuse casting ECD-17HD)	

Notes:

See General Vault Drawing (P-855) for construction and material notes.

The selection and use of this Standard Drawing, while designed in accordance with generally accepted engineering principles and practices, is the sole responsibility of the user.

PORTLAND WATER BUREAU
 CITY OF PORTLAND, OREGON

Chief Engineer

Standard Drawing Title
10" Combination Meter with an 10" bypass in 8-16-8 vault (in sidewalk)

Note:
 All material and workmanship shall be in accordance with City of Portland Standard Construction Specifications.

Effective Date	Aug 17 2015	Standard Drawing No. P-880
Calc. Book No.	PWB 1	
Baseline Report Date	Aug 17 2015	