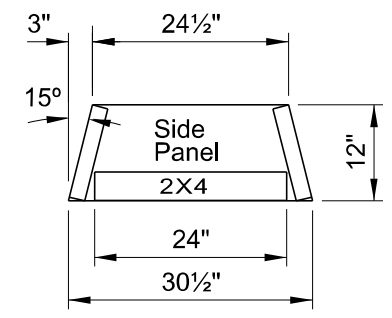
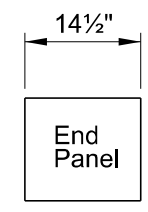
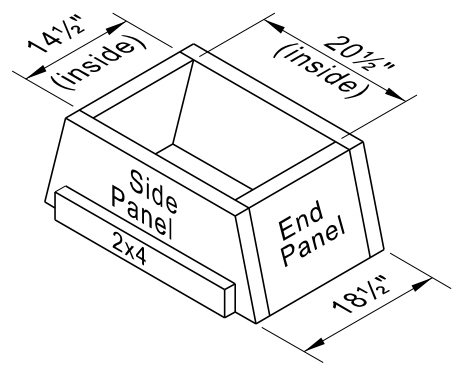
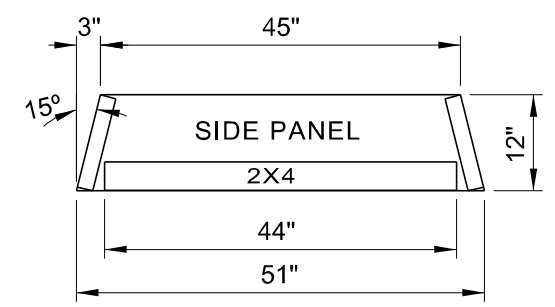
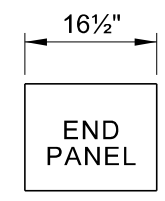
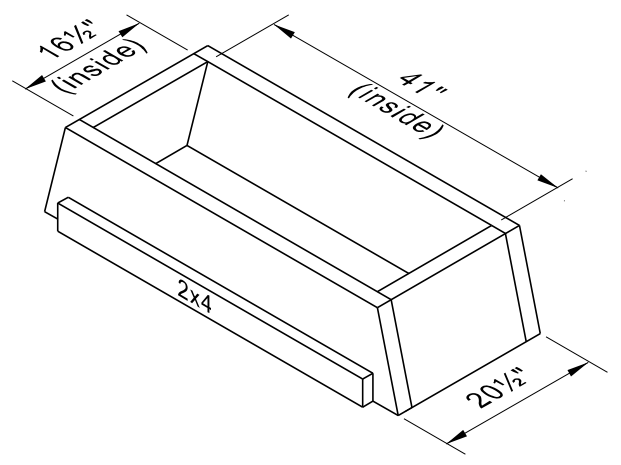


**#5 Wood Box**  
12" x 14" CI Frame and Cover




**#6 Wood Box**  
14" x 20" CI Frame and Cover



**#8 Wood Box**  
20" x 44" Steel Frame

Material: Rough cut 2" x 12" full dimension lumber, construction grade or better. Treatment to be ACQ for ground contact with current MSDS to be provided at delivery.

Plot Date: 6/8/2022 9:42:15 AM Filename: J:\Engineering\CAD\Standards\Signed\P-975\_Boxes.dgn

<p>The selection and use of this Standard Drawing, while designed in accordance with generally accepted engineering principles and practices, is the sole responsibility of the user.</p> <p>Note: All material and workmanship shall be in accordance with City of Portland Standard Construction Specifications.</p>	 <p>PORTLAND WATER BUREAU CITY OF PORTLAND, OREGON</p> <p><i>Johi In</i> Chief Engineer</p>	
	<p>Standard Drawing Title</p> <p style="text-align: center;"><b>Wood Boxes (5, 6 &amp; 8)</b></p>	
	<p>Effective Date June 10 2022</p> <p>Calc. Book No. PWB 2E</p> <p>Baseline Report Date June 10 2022</p>	<p>Standard Drawing No.</p> <p style="text-align: center;"><b>P-975</b></p>