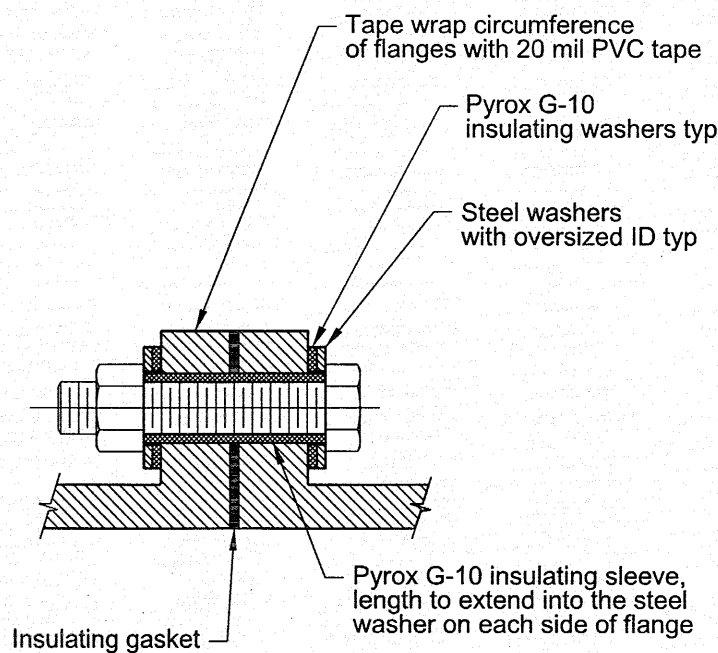
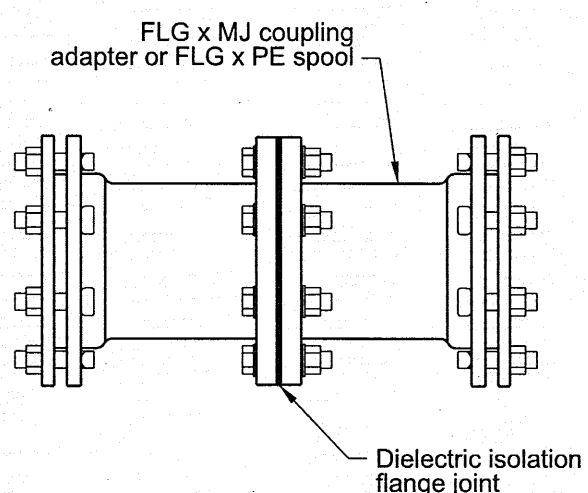


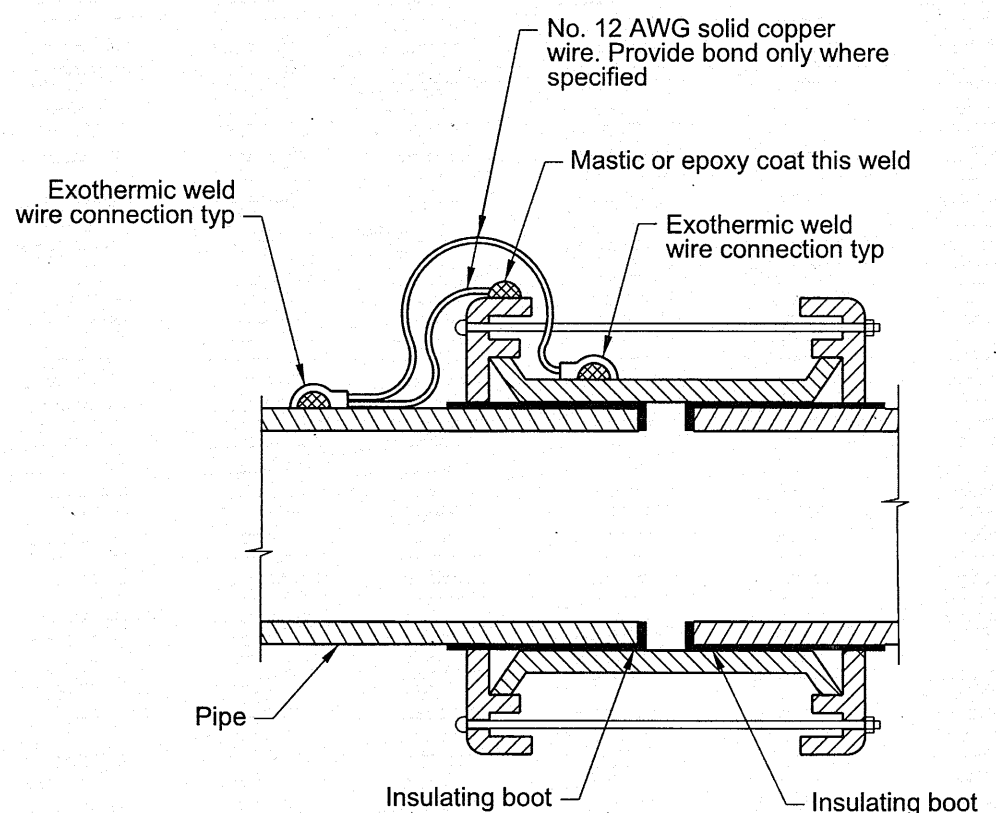
Plot Date: 12/16/2009 1:32:48 PM
 Filename: \\Wb-gisnas\disk\CADD\Standards\Drawings\11-P-Drawings\BeingWorkedOn\P-760.dgn



Dielectric Isolation Flange Joint Detail




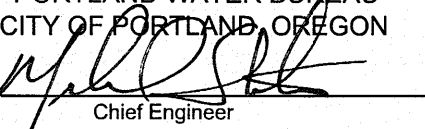
Dielectric Isolation Joint Assembly



Notes:

1. Center flexible coupling over insulating boots.
2. Exothermic weld to coupling prior to assembly. Do not burn boots.
3. Bond the coupling to a protected side of the joint where specified.

Dielectric Isolation Flexible Sleeve Coupling

The selection and use of this Standard Drawing, while designed in accordance with generally accepted engineering principles and practices, is the sole responsibility of the user.	 PORTLAND WATER BUREAU CITY OF PORTLAND, OREGON  Chief Engineer	
	Standard Drawing Title <p style="text-align: center;">ISOLATION JOINTS</p>	
Note: All material and workmanship shall be in accordance with City of Portland Standard Construction Specifications.	Effective Date Dec 17, 2009	Standard Drawing No. <p style="text-align: center;">P-760</p>
	Calc. Book No. PWB-1	
	Baseline Report Date 12/17/09	