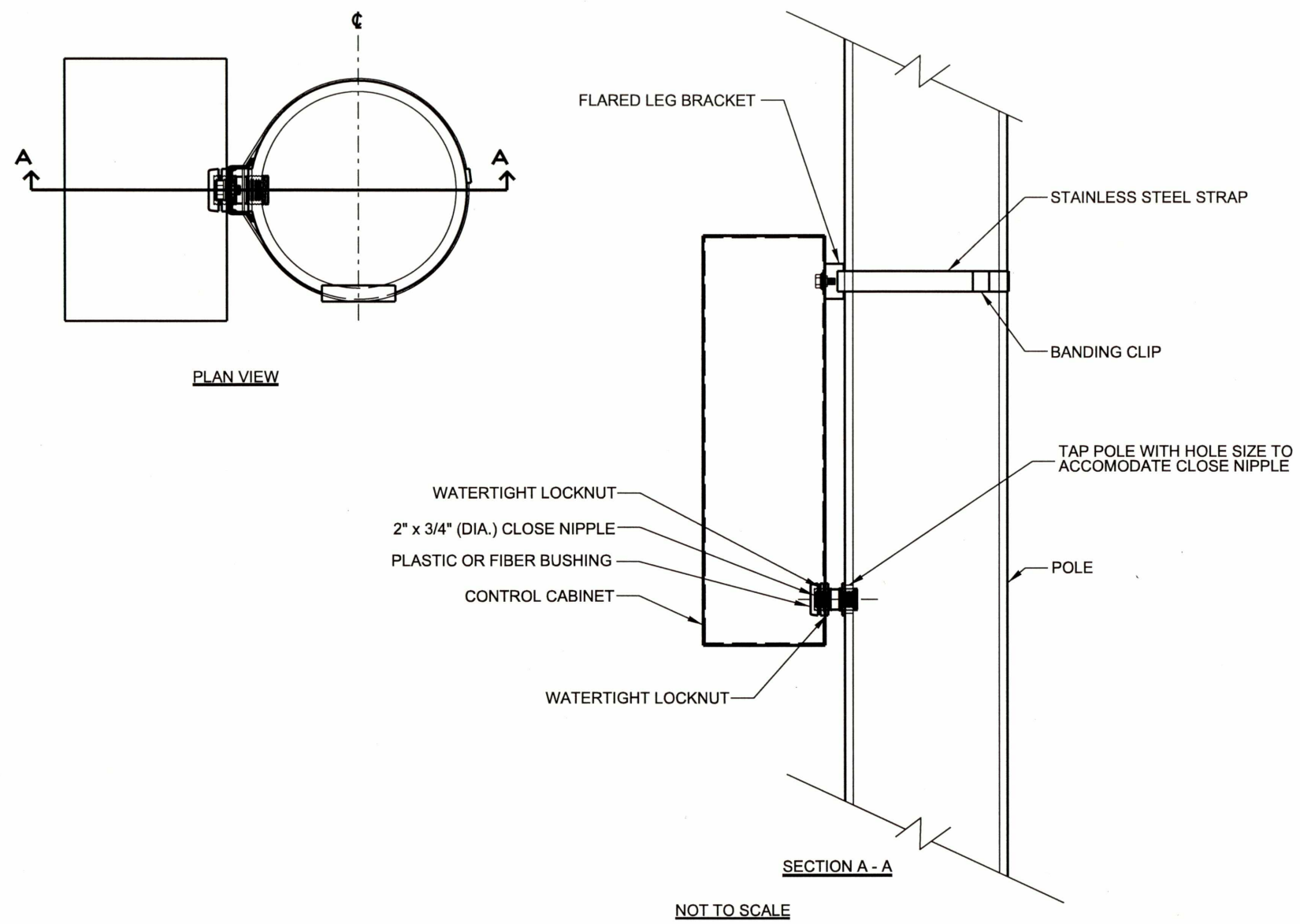


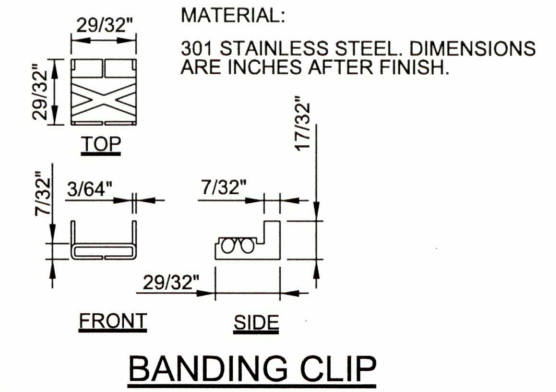
\$SCALES 11x17 PRINT SCALE: \$FILES \$TIMES \$DATES \$DATE\$ Plot Date:



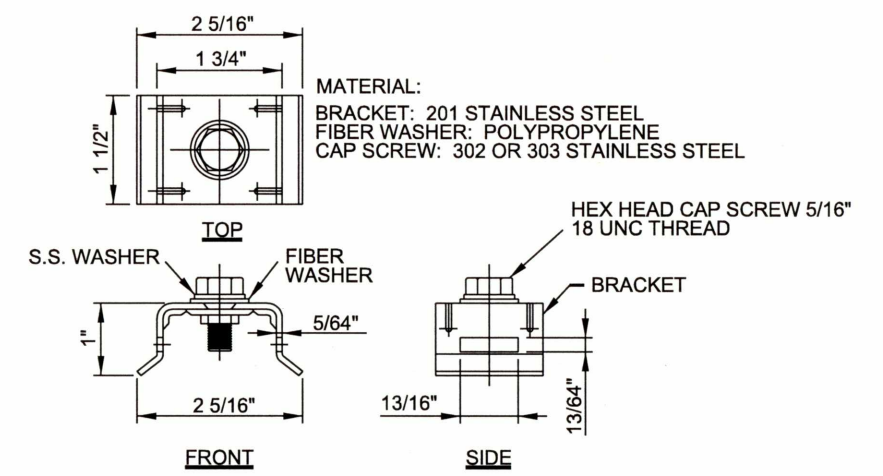
NOT TO SCALE

- SERVICE CABINET:**
1. UL LISTED AND LABELED FOR USE AS SERVICE EQUIPMENT, ENCLOSURE TO BE RAIN-TIGHT. IP 66 RATED.
- CABINET MOUNTING:**
1. ALL MOUNTING HARDWARE TO BE STAINLESS STEEL.
 2. ALL OPENINGS CUT IN STEEL POLES TO HAVE APPROVED, COLD GALVANIZING APPLICATION PRIOR TO FITTINGS INSTALLATION.
 3. CONTROLLER CABINET TO BE MOUNTED AS SHOWN ON THE PLANS OR AS DIRECTED BY THE ENGINEER.
 4. INSTALL ELECTRICAL CONDUCTORS AND COAX CABLE WITH APPROVED CONDUCTOR STRAIN RELIEF PER STANDARD DETAIL P-651.

POLE-MOUNTED LIGHTING CONTROL CABINET
EXPLODED VIEW MOUNTING



MATERIAL:
301 STAINLESS STEEL. DIMENSIONS ARE INCHES AFTER FINISH.



MATERIAL:
BRACKET: 201 STAINLESS STEEL
FIBER WASHER: POLYPROPYLENE
CAP SCREW: 302 OR 303 STAINLESS STEEL

HEX HEAD CAP SCREW 5/16\"
18 UNC THREAD

S.S. WASHER FIBER WASHER BRACKET

FLARED LEG BRACKET W/ BOLT AND WASHER

The selection and use of this Standard Detail, while designed in accordance with generally accepted engineering principles and practices, is the sole responsibility of the user.


BUREAU OF TRANSPORTATION
CITY OF PORTLAND, OREGON
Steve Tom
 Chief Engineer

Standard Detail Title
STREET LIGHTING
CONTROL UNIT INSTALLATION

Note:
All material and workmanship shall be in accordance with the City of Portland Standard Construction Specifications.

Effective Date: N/A
 Calc. Book No.: N/A
 Baseline Report Date: N/A

Standard Detail No.
P-682