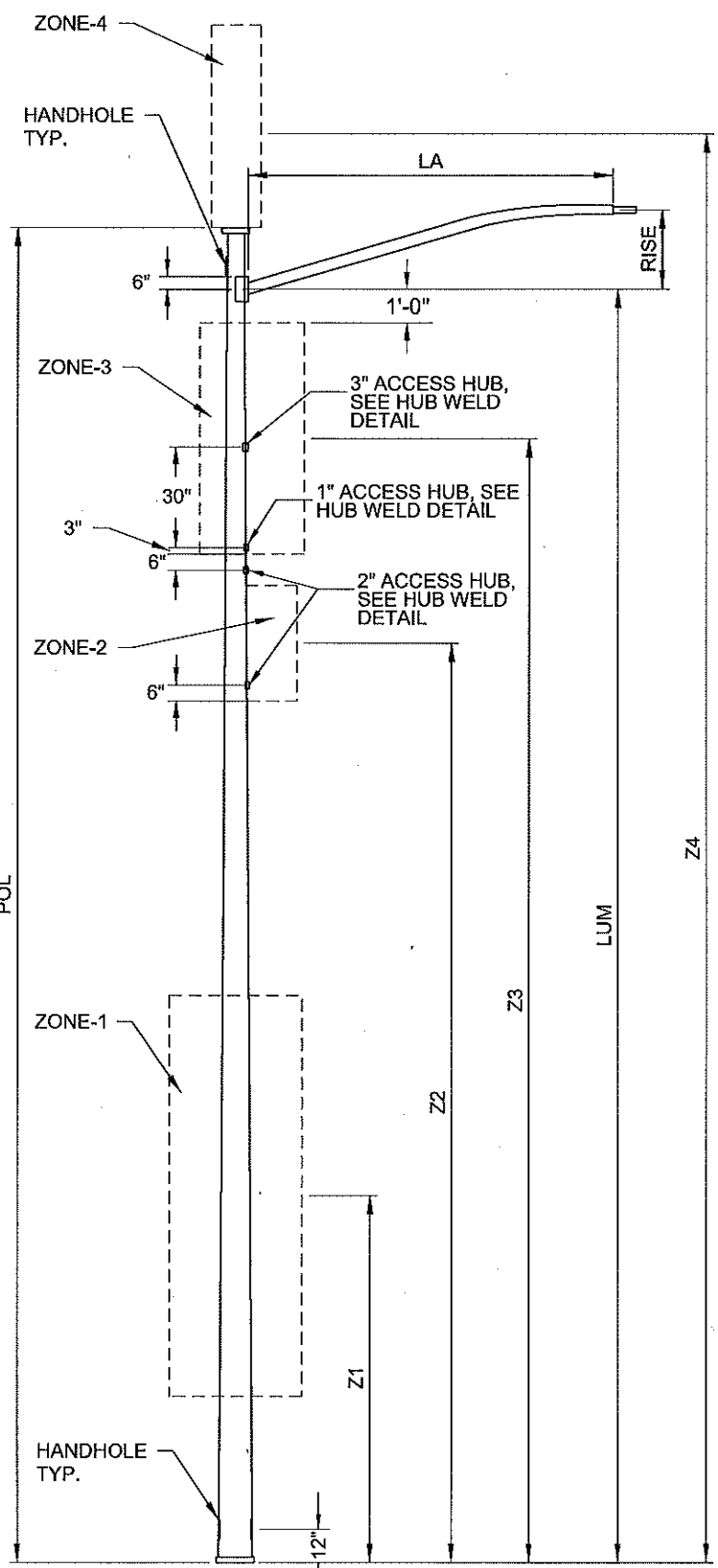


Plot Date: 10/23/2019 10:05:04 AM



POLE ELEVATION

NOTE:
ORIENTATION OF HUB TO
BE 0° TO LUMINAIRE ARM.

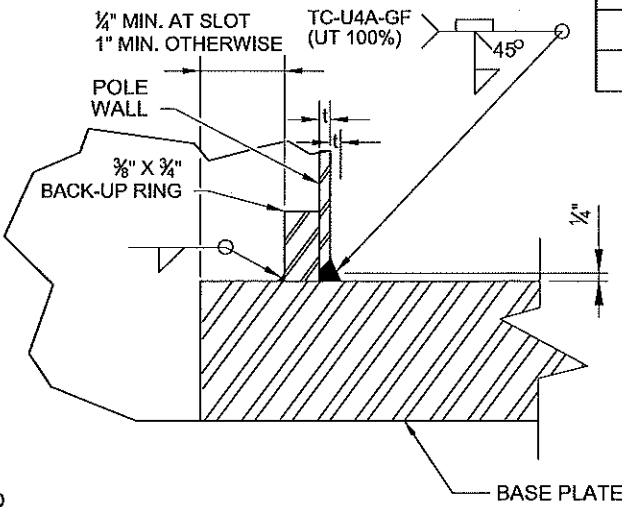
ASSUMED MAXIMUM ZONE PARAMETERS FOR STANDARD POLE AND FOUNDATION DESIGN							
ZONE		HEIGHT (X) (FT)	WIDTH (Y) (FT)	ZONE AREA (XY) (FT)	OFFSET (Z)* (FT)	DEAD LOAD (LB)	ICE LOAD (LB)
ZONE-4		6.0	1.5	9.0	0.0	100	90
ZONE-3	SWLP-25 SWLP-30	5.0	2.5	12.5	0.75	300	100
ZONE-3	SWLP-35 SWLP-40	7.0	2.5	17.5	0.75	400	135
ZONE-2		3.5	1.75	6.13	1.25	150	85
ZONE-1		12.0	3.0	36.0	0.0	300	195

*OFFSET FROM THE CENTER OF THE ZONE TO CENTER OF POLE

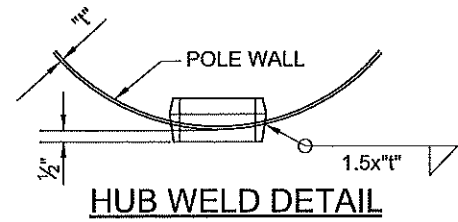
POLE SCHEDULE						
POLE TYPE	POLE HEIGHT	LUMINAIRE CONNECTION	ZONE-1	ZONE-2	ZONE-3	ZONE-4
	POL (FT)	LUM (FT)	Z1 (FT)*	Z2 (FT)*	Z3 (FT)*	Z4 (FT)*
SWLP-25	30.0	23.0	11.0	20.25	26.5	33.0
SWLP-30	30.0	28.0	11.0	19.25	24.5	33.0
SWLP-35	35.0	33.0	11.0	22.25	28.5	38.0
SWLP-40	40.0	38.0	11.0	27.25	33.5	43.0

*DIMENSION FROM THE CENTER OF THE ZONE TO BOTTOM OF POLE

LUMINAIRE ARM GEOMETRY	
ARM LENGTH (LA)	APPROX. RISE (ARM FULLY LOADED)
4'	12"
6'	18"
8'	22"
10'	26"
12'	30"
15'	36"



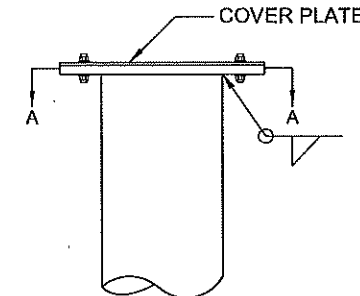
BASE WELD DETAIL



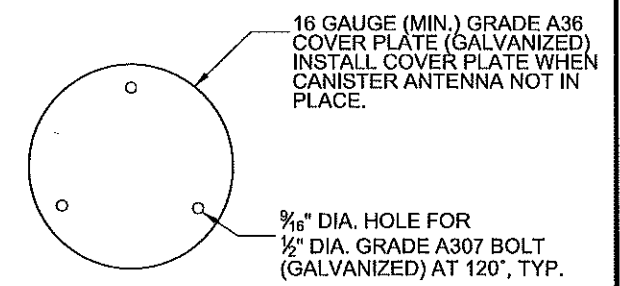
HUB WELD DETAIL

GENERAL NOTES:

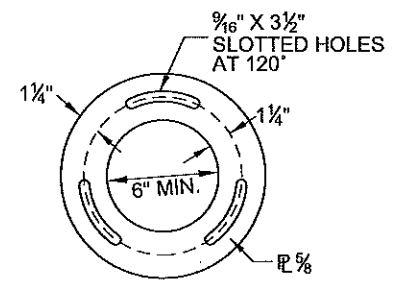
1. ZONE AREAS SHOWN ARE REPRESENTATIVE AREAS OF THE FEATURES DESCRIBED FOR DETERMINING LOAD EFFECT. SPECIFIC SIZE AND PLACEMENT LIMITATIONS OF ATTACHMENTS ARE PROVIDED IN ADMINISTRATIVE RULES (TRN-10.44)
2. ZONE-1 IS RESERVED FOR CITY SERVICE CABINET, PEDESTRIAN SIGNALS, SIGNS AND BANNERS.
3. ZONE-2 IS DESIGNATED FOR FUTURE CITY ITS EQUIPMENT AND CABINET.
4. ZONE-3 IS DESIGNATED FOR A PANEL ANTENNA ARRAY AND EQUIPMENT CABINET FOR THE WIRELESS PROVIDER.
5. ZONE-4 IS DESIGNATED FOR A CANISTER ANTENNA MOUNTED TO POLE TOP CONNECTION PLATE.
6. FOR ADDITIONAL DETAILS SEE DRAWING NO. P-668 AND P-669.



POLE TOP DETAIL



COVER PLATE DETAIL



SECTION A-A

NOT TO SCALE

<p>The selection and use of this Standard Drawing, while designed in accordance with generally accepted engineering principles and practices, is the sole responsibility of the user.</p> <p>Note: All material and workmanship shall be in accordance with the City of Portland Standard Construction Specifications.</p>	<p>PORTLAND BUREAU OF TRANSPORTATION</p> <p>PBOT <i>Steve Towne</i> City Engineer</p>	
	<p>Standard Drawing Title</p> <p>STREET LIGHTING SMALL WIRELESS FACILITIES DETAILS</p>	
	<p>Effective Date: 10-25-2019</p>	<p>Standard Drawing No.</p> <p>P-667</p>
	<p>Calc. Book No.:</p> <p>Baseline Report Date: 10-25-2019</p>	