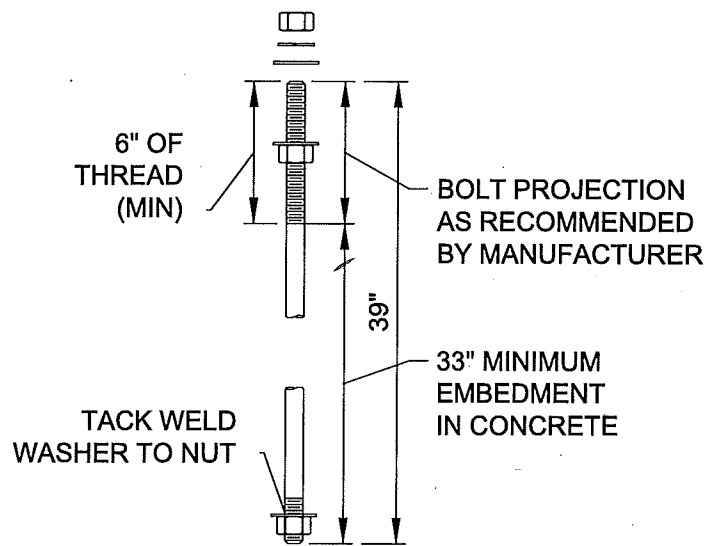


**TWIN-LUMINAIRE LIGHT POLE  
TYPE "B" MID BLOCK**



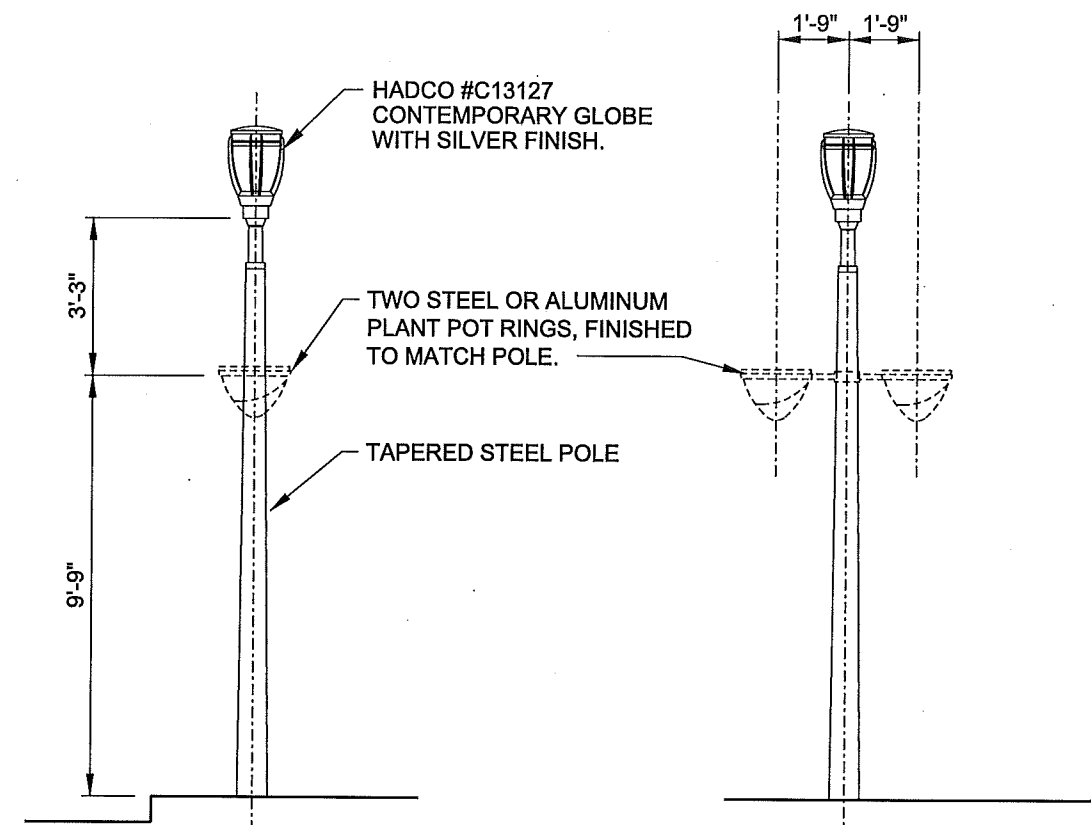
- (4) 1" GALV. STL. ANCHOR BOLTS F1554 GRADE 36
- (12) 1" GALV. STL. HEX NUTS
- (4) 1" GALV. STL. LOCKWASHERS
- (12) 1" GALV. STL. FLATWASHERS

**ANCHOR BOLT DETAIL**

TYPE B2 AND C POLES ONLY

POLE TYPE	CATERNARY SUPPORT CABLE LOADING (LBS)	BOLT CIRCLE	FOUNDATION
B1	1744	15"	SPECIAL DESIGN BY STREETCAR/DEVELOPER
B2	NO CATENARY SUPPORT	14"	P-665
C	NO CATENARY SUPPORT	12"	P-665

**TYPE "B" & TYPE "C" POLE TABLE  
SOUTH WATERFRONT**



**TYPE "C" MID-BLOCK  
SINGLE-LUMINAIRE POST TOP LIGHT POLE**

The selection and use of this Standard Drawing, while designed in accordance with generally accepted engineering principles and practices, is the sole responsibility of the user.

BUREAU OF TRANSPORTATION  
CITY OF PORTLAND, OREGON  
*Steve Tomlin*  
Chief Engineer

Standard Drawing Title  
**SOUTH WATERFRONT  
TYPE "B" & "C" STREET LIGHT POLE  
DETAILS**

Note:  
All material and workmanship shall be in accordance with the City of Portland Standard Construction Specifications.

Effective Date: 07-17-15

Calc. Book No.:

Baseline Report Date:

Standard Drawing No.

**P-659**