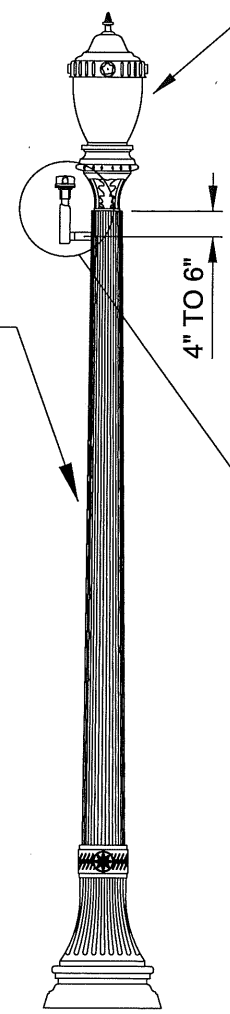


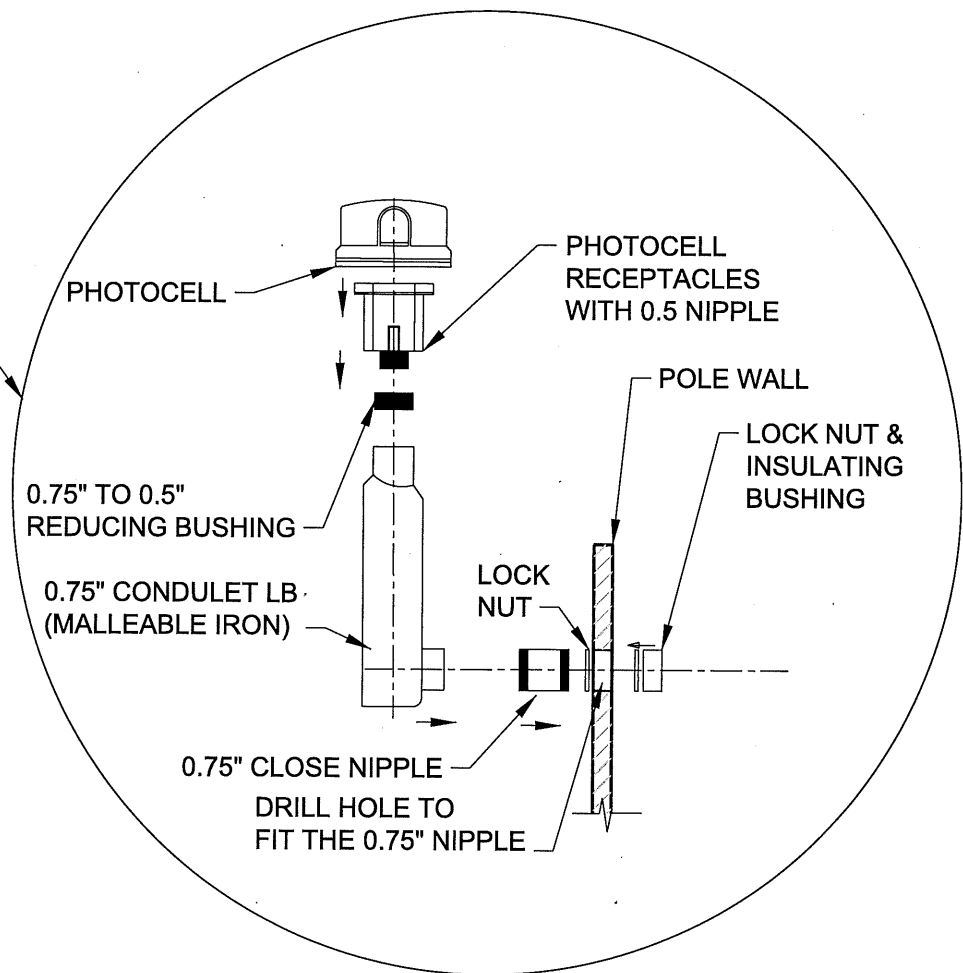
**PHOTOELECTRIC CONTROL INSTALLATION  
ON TWIN ORNAMENTAL POLE**

SEE PLANS FOR POLE TYPE



SEE PLANS FOR LUMINAIRE TYPE

**ENLARGED VIEW**



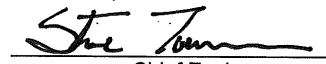
**PHOTOELECTRIC CONTROL INSTALLATION  
ON SINGLE ORNAMENTAL OR POST TOP STYLE POLE**

Plot Date: 3/10/2015 12:35:57 PM

NOT TO SCALE

The selection and use of this Standard Drawing, while designed in accordance with generally accepted engineering principles and practices, is the sole responsibility of the user.

BUREAU OF TRANSPORTATION  
CITY OF PORTLAND, OREGON



Chief Engineer

Standard Drawing Title  
**STREET LIGHTING  
PHOTOELECTRIC CONTROL  
ORNAMENTAL POL DETAILS**

Note:  
All material and workmanship shall be in accordance with the City of Portland Standard Construction Specifications.

Effective Date: 03-22-12  
Calc. Book No.:  
Baseline Report Date:

Standard Drawing No.  
**P-655**