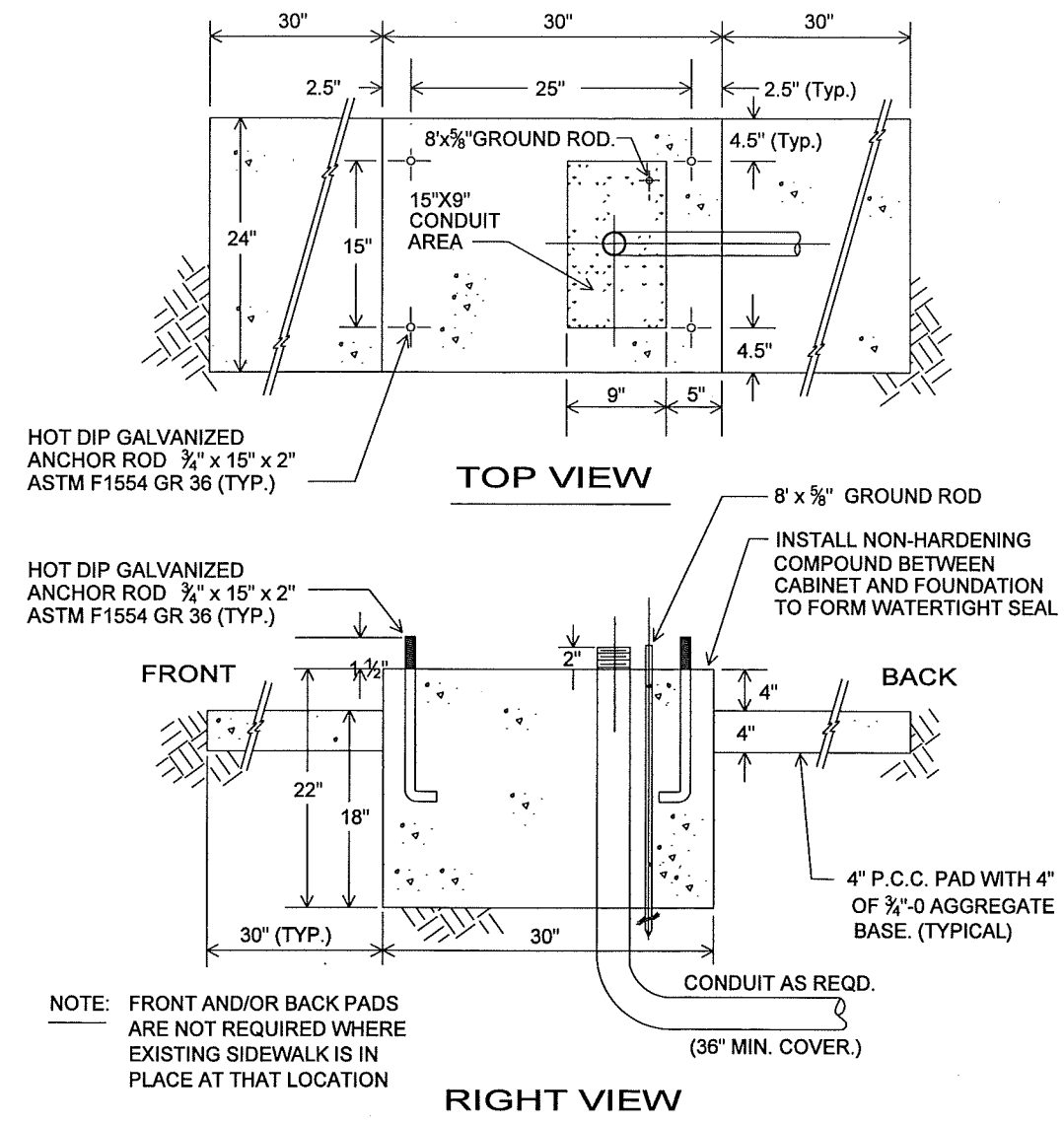


**POST AND FOUNDATION FOR
BASE MOUNTED SIGNAL POSTS**



**FOUNDATION DETAIL
TYPE 332 CABINET**

NOT TO SCALE

Plot Date: 6/20/2016 3:20:57 PM

<p>The selection and use of this Standard Drawing, while designed in accordance with generally accepted engineering principles and practices, is the sole responsibility of the user.</p>	<p>PORTLAND BUREAU OF TRANSPORTATION</p> <p><i>SA Tom</i> Chief Engineer</p>	
	<p>Standard Drawing Title</p> <p>BASE-MOUNTED SIGNAL POST FOOTING & TYPE 332 CABINET FOUNDATION DETAILS</p>	
<p>Note: All material and workmanship shall be in accordance with the City of Portland Standard Construction Specifications.</p>	<p>Effective Date: 06-06-2016</p>	<p>Standard Drawing No.</p> <p>P-610</p>
	<p>Calc. Book No.:</p>	
	<p>Baseline Report Date:</p>	