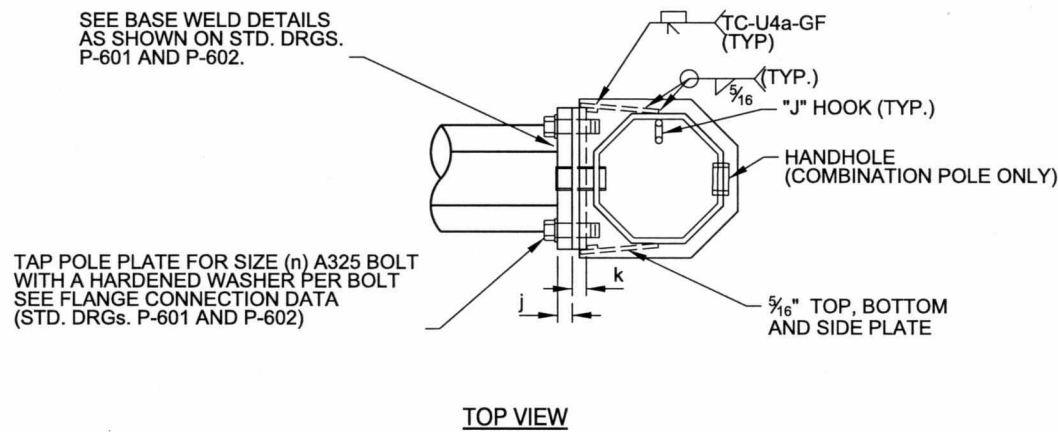
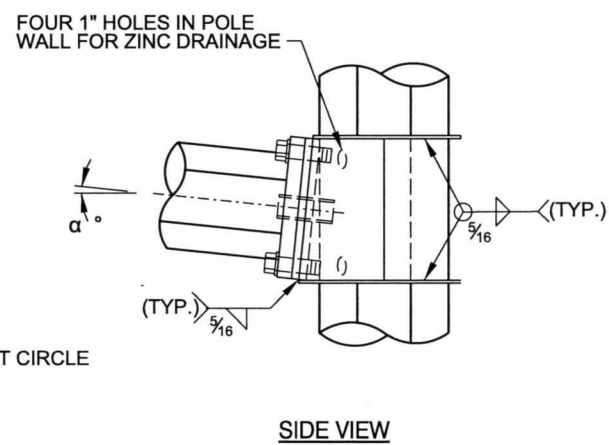
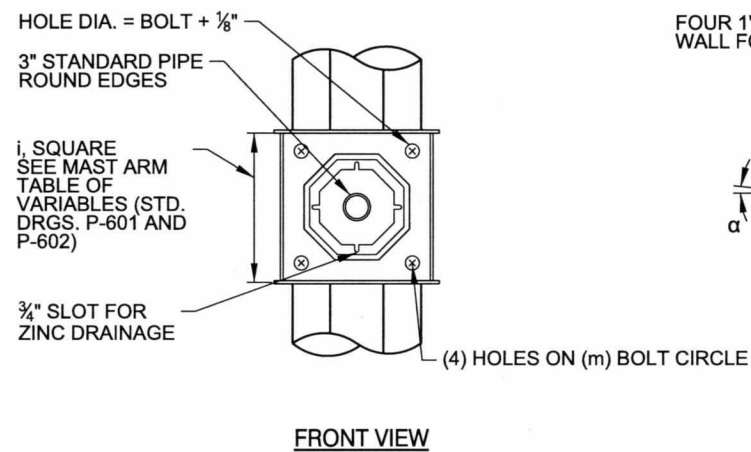


TAP POLE PLATE FOR SIZE (n) A325 BOLT WITH A HARDENED WASHER PER BOLT SEE FLANGE CONNECTION DATA (STD. DRG. P-601 OR P-602)

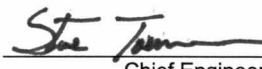
FLANGE PLATE DETAIL FOR ARMS 40' AND UNDER



TAP POLE PLATE FOR SIZE (n) A325 BOLT WITH A HARDENED WASHER PER BOLT SEE FLANGE CONNECTION DATA (STD. DRGS. P-601 AND P-602)

FLANGE PLATE DETAIL FOR ARMS GREATER THAN 40'

NOT TO SCALE

<p>The selection and use of this Standard Drawing, while designed in accordance with generally accepted engineering principles and practices, is the sole responsibility of the user.</p>	<p>BUREAU OF TRANSPORTATION CITY OF PORTLAND, OREGON</p>  Chief Engineer	
	<p>Standard Drawing Title</p> <p>MAST ARM POLE FLANGE PLATE DETAILS</p>	
<p>Note: All material and workmanship shall be in accordance with the City of Portland Standard Construction Specifications.</p>	<p>Effective Date: 10-10-2013</p>	<p>Standard Drawing No.</p> <p>P-604(A)</p>
	<p>Calc. Book No.:</p>	
	<p>Baseline Report Date:</p>	