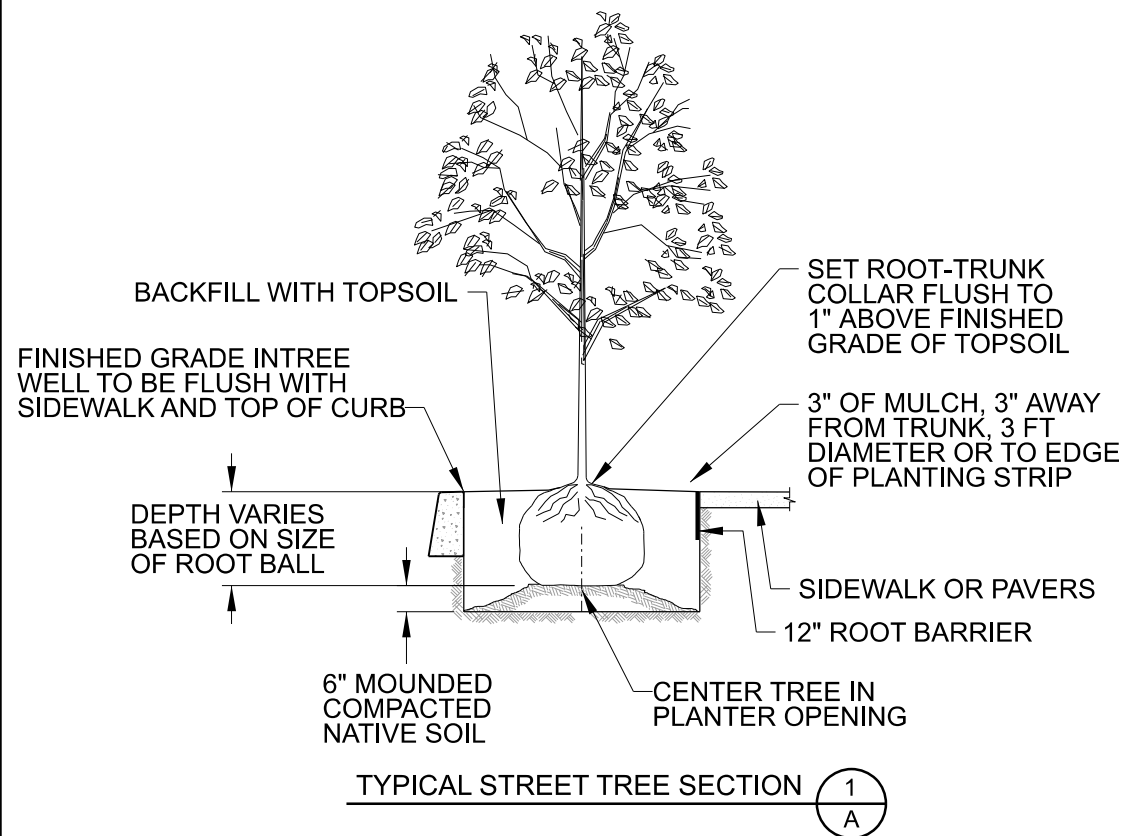
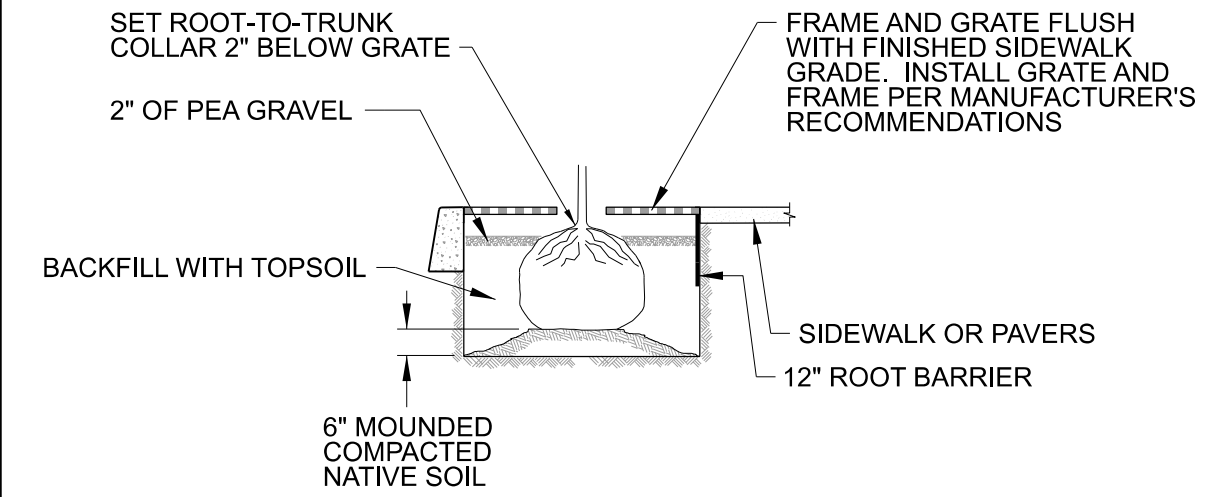


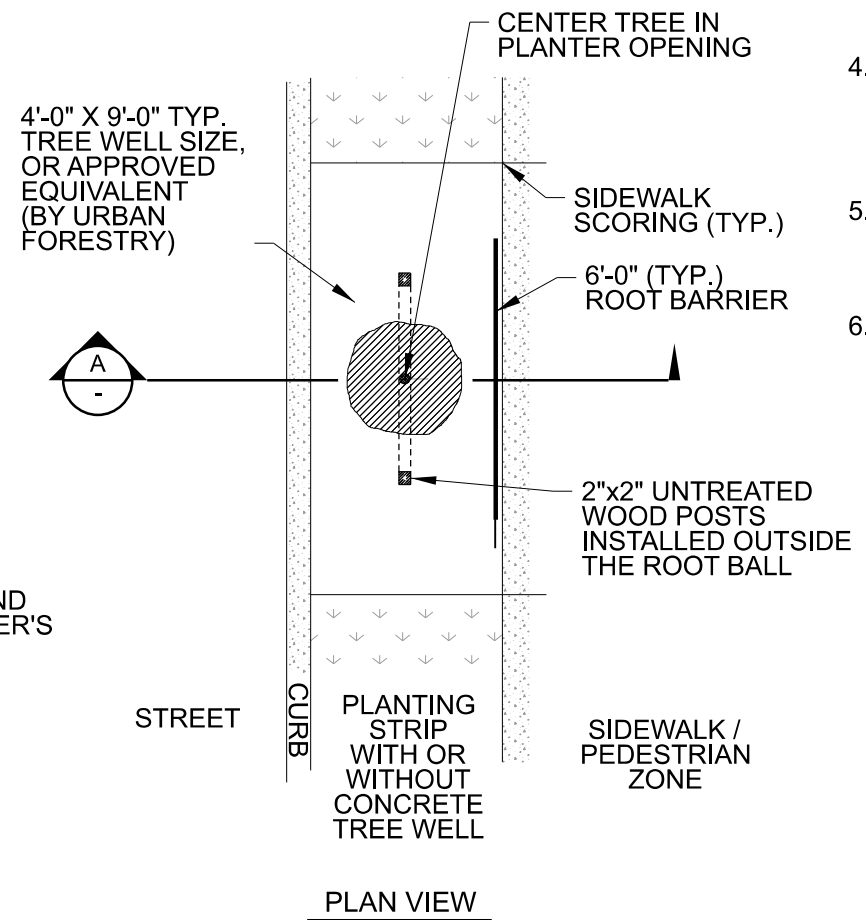
Plot Date: 11/1/2022 4:38:07 PM Filename: U:\usoft\portland\standard drawings\section divisions\3-STREETS\MICROSTATION\STD DRAWING NO P-581\PLT_SHT_P-581.dgn



TYPICAL STREET TREE SECTION 1
A



TYPICAL STREET TREE WITH GRATE SECTION 2
A



PLAN VIEW

NOTES:

1. EXCAVATE 2½ TIMES THE WIDTH OF ROOT BALL OR TREE WELL DIMENSIONS.
2. PRIOR TO PLANTING REMOVE ALL STRING, PLASTIC, WIRE, AND ANY OTHER NON-ORGANIC MATERIAL. REMOVE AT LEAST THE TOP 2/3RDS OF THE BURLAP ENTIRELY FROM THE PLANTING AREA.
3. TREE GRATES ARE NOT PREFERRED AND SUBJECT TO APPROVAL. IF USED TREE GRATES MUST BE ADA-COMPLIANT. USE PRODUCTS ON CPL OR AS APPROVED BY URBAN FORESTRY.
4. WHEN PLANTING NEAR STREET LIGHTING, SIGNAGE AND OTHER UNDERGROUND UTILITIES, REFER TO "PP&R URBAN FORESTRY STREET TREE PLANTING STANDARDS", CONTACT URBAN FORESTRY AT (503) 823-8733 FOR FURTHER INFORMATION.
5. INSTALL ROOT BARRIER ALONG SIDEWALK /PEDESTRIAN ZONE SIDE OF STREET TREE. USE PRODUCTS ON CPL OR AS APPROVED BY URBAN FORESTRY.
6. PROVIDE TREES WITH SINGLE STRAIGHT TRUNK AND WELL-DEVELOPED LEADER TO TRUNK TAPER.

DRAWING ACCOMPANIES THE "PP&R URBAN FORESTRY STREET TREE PLANTING STANDARDS. STANDARDS MUST BE FOLLOWED.

The selection and use of this Standard Drawing, while designed in accordance with generally accepted engineering principles and practices, is the sole responsibility of the user.	PORTLAND PARKS & RECREATION <i>Jenn Cairo</i> City Forester	
	Standard Drawing Title TYPICAL STREET TREE INSTALLATION	
	Effective Date: 11-01-2022	Standard Drawing No. P-581
Note: All material and work shall be in accordance with the City of Portland Standard Construction Specifications.	Calc. Book No.: n/a	Std. Drg. Report Date: n/a