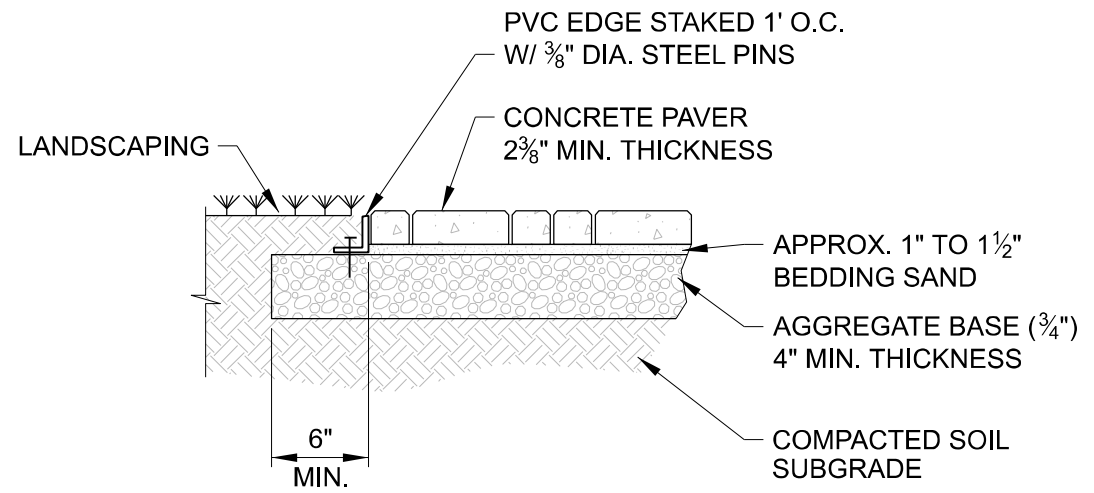


PAVERS WITH CONCRETE EDGE



PAVERS WITH PVC EDGE

NOTES:

1. CONCRETE PAVERS MAY BE USED IN THE PEDESTRIAN ZONE ONLY TO ADDRESS TREE ROOT CONFLICTS AND REQUIRES PRIOR APPROVAL BY CITY ENGINEER.
2. PAVERS SHALL BE GRAY EXCEPT FOR DESIGN DISTRICTS THAT REQUIRE OTHERWISE.
3. MINIMUM 6'x9' PAVER AREA IN PEDESTRIAN AREA.

<p>The selection and use of this Standard Drawing, while designed in accordance with generally accepted engineering principles and practices, is the sole responsibility of the user.</p>	<p>PBOT PORTLAND BUREAU OF TRANSPORTATION</p> <p style="text-align: center;"><i>Steve Tomlin</i> City Engineer</p>	
	<p>Standard Drawing Title</p> <p style="text-align: center;">SIDEWALK - CONCRETE PAVERS</p>	
<p>Note: All material and workmanship shall be in accordance with the City of Portland Standard Construction Specifications.</p>	<p>Effective Date: 10-04-17</p>	<p>Standard Drawing No.</p> <p style="text-align: center;">P-572</p>
	<p>Calc. Book No.: -</p>	
	<p>Baseline Report Date: -</p>	