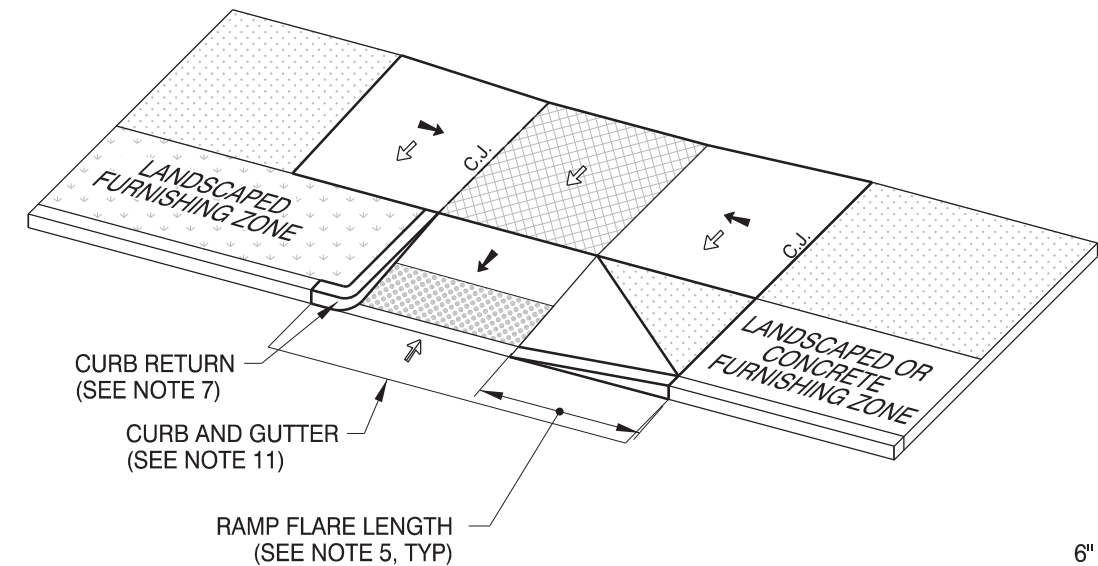
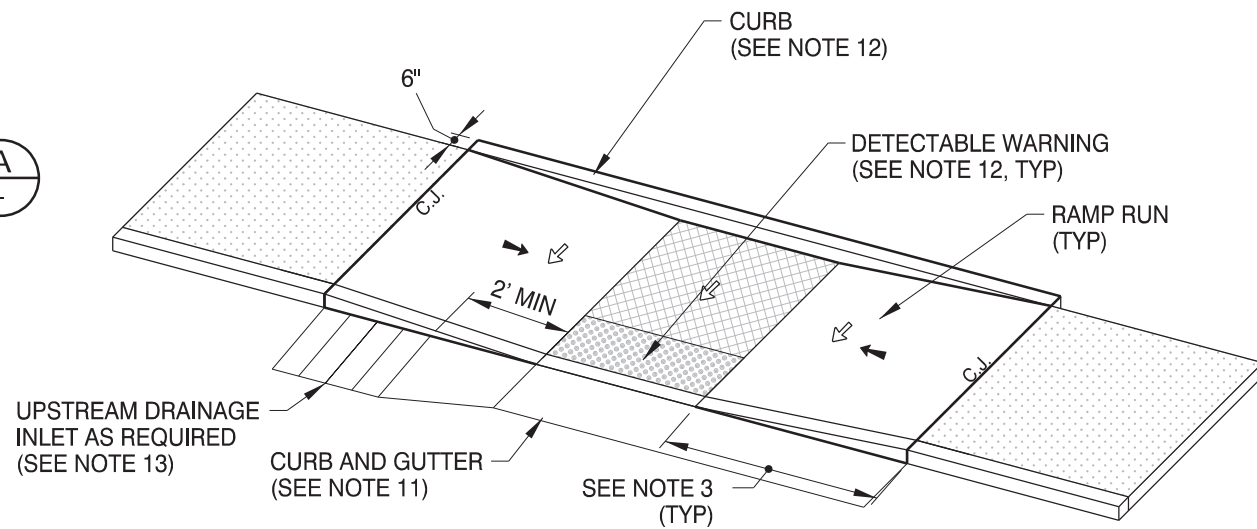


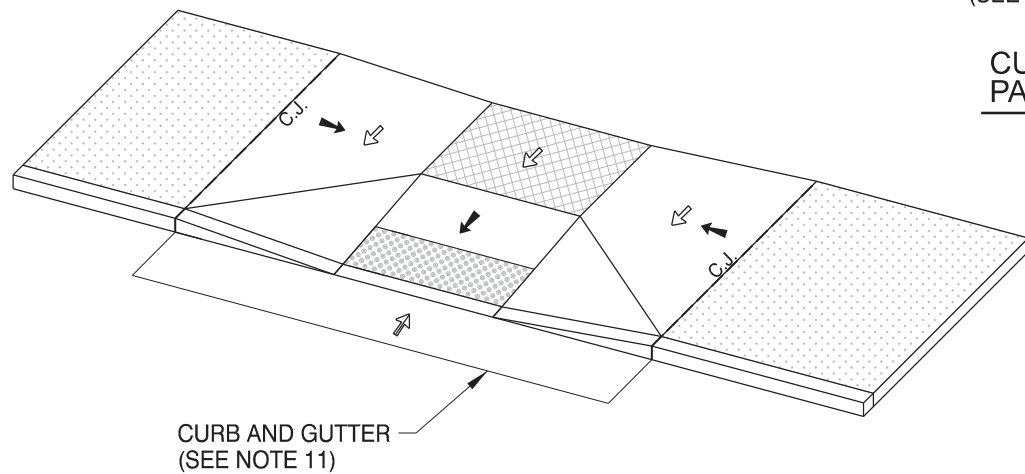
Plot Date: 6/29/2023 12:20:01PM  
 Filename: U:\usstation\OGN\CITY OF PORTLAND - STANDARD DRAWINGS\SECTION DIVISIONS\3-STREETS\MICROSTATION\STD DRAWING NO P-547\PLT\_P-547.dgn



**SEPARATED SIDEWALK - COMBINATION CURB RAMP DETAIL** (A)



**CURB TIGHT SIDEWALK - PARALLEL CURB RAMP DETAIL** (C)



**CURB TIGHT SIDEWALK - COMBINATION CURB RAMP DETAIL** (B)

- SIDEWALK OR OTHER TRAVERSABLE SURFACE
- DETECTABLE WARNING SURFACE
- FLAT LANDING 2% MAX (TURNING SPACE)
- CROSS SLOPE 2% MAX (USE 1.5% FOR DESIGN)
- RUNNING SLOPE 8.3% MAX (USE 7.2% FOR DESIGN)
- COUNTER SLOPE -5% MIN, +5% MAX.
- C.J. CONTRACTION JOINT

**NOTES:**

1. SEE STD. DRG. NO. P-540 FOR CURBS AND P-551 FOR SIDEWALKS.
2. TOOLED JOINTS ARE REQUIRED AT ALL SIDEWALK RAMP SLOPE BREAK LINES. SEE STD. DRG. NO. P-551 FOR DETAILS NOT SHOWN.
3. THE RUNNING SLOPE MAY EXCEED 8.3% WHEN THE RAMP RUN LENGTH IS AT LEAST 15'. SEE STD. DRG. NO. P-549.
4. CURB RAMP WIDTH 5' USUAL (4' MIN).
5. FLARE SLOPE 10% MAX. (RELATIVE TO STREET GRADE).
6. CONSTRUCT GRADE BREAKS AT THE TOP AND BOTTOM OF CURB RAMP RUNS PERPENDICULAR TO THE DIRECTION OF THE RAMP RUN.
7. A CURB RETURN INSTEAD OF A FLARE MAY ONLY BE USED WHEN THE ADJACENT FURNISHING ZONE IS LANDSCAPED.
8. CONSTRUCT CURB RAMPS PERPENDICULAR TO CURB.
9. CONSTRUCT BOTTOM OF CURB RAMP (AND LANDING WHEN WITHIN THE ROADWAY) ENTIRELY WITHIN LEGAL CROSSWALK.
10. FLAT LANDING AT LEAST AS WIDE AS THE RAMP 4'X4' MIN. OR 4'X5' MIN. WITH VERTICAL OBSTRUCTION FOR CLEARANCE FROM OBSTRUCTION.
11. GRADE BREAK AT BOTTOM OF RAMP 11% MAX. SEE STD. DRG. NO. P-549 WHEN GUTTER IS SPECIFIED.
12. SEE STD. DRG. NO. P-550 FOR MISC. CURB RAMP DETAILS.
13. CHECK THE GUTTER FLOW DEPTH TO ASSURE THAT STORMWATER DOES NOT OVERTOP THE BACK OF SIDEWALK. PLACE INLET OR OTHER MITIGATION IF BACK OF WALK IS LESS THAN 3" ABOVE GUTTER LINE.

The selection and use of this Standard Drawing, while designed in accordance with generally accepted engineering principles and practices, is the sole responsibility of the user.	<b>PORTLAND BUREAU OF TRANSPORTATION</b> x  City Engineer	
	Standard Drawing Title  <b>MIDBLOCK CURB RAMP</b>	
Note: All material and workmanship shall be in accordance with the City of Portland Standard Construction Specifications.	Effective Date: 06/29/2023	Standard Drawing No.
	Calc. Book No.: N/A	<b>P-547</b>
	Std. Drg. Report Date: 06/29/2023	