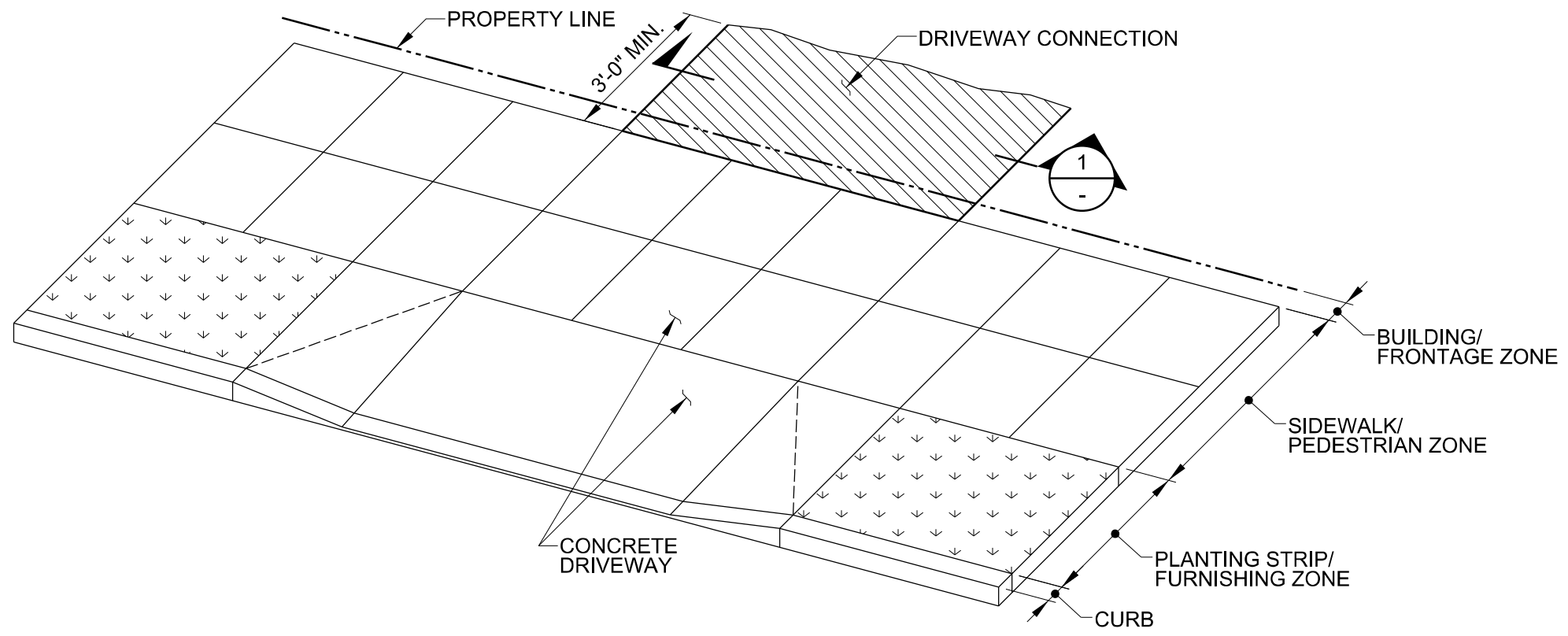
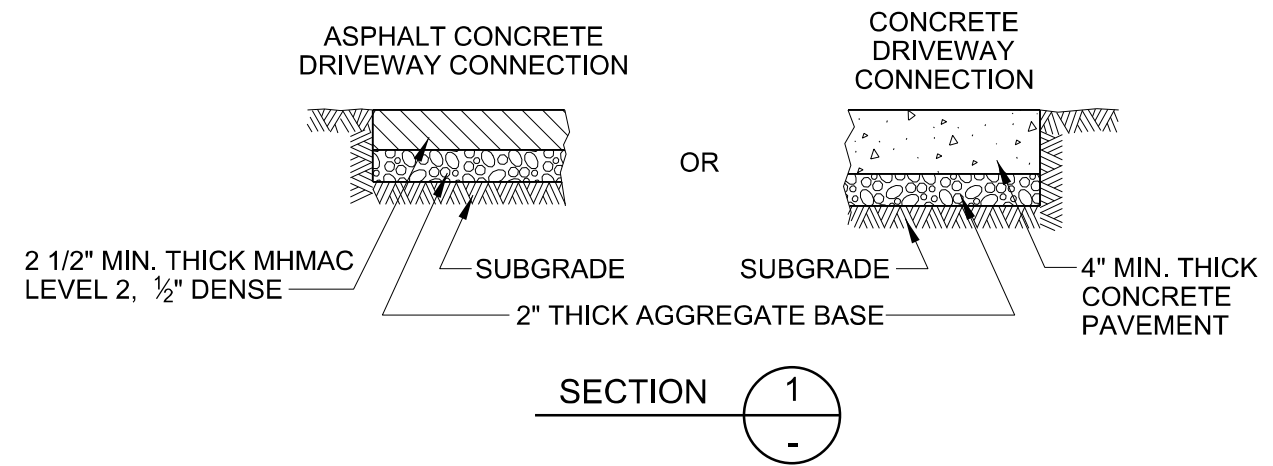


SCALE: 1" = 1'-0"



NOTES:

1. ALL DRIVEWAYS ARE REQUIRED TO HAVE A MINIMUM 3' PAVED DRIVEWAY CONNECTION BEHIND THE CONCRETE DRIVEWAY, TO PREVENT TRACKING OF DIRT AND/OR AGGREGATE ONTO SIDEWALK
2. CONSTRUCT THE DRIVEWAY CONNECTION ACCORDING TO SECTION 1.
3. DRIVEWAY CONNECTIONS MUST MEET P&Z CODES.



The selection and use of this Standard Drawing, while designed in accordance with generally accepted engineering principles and practices, is the sole responsibility of the user.

PBOT PORTLAND BUREAU OF TRANSPORTATION

DocuSigned by:
Steve Townsen
City Engineer

Standard Drawing Title

DRIVEWAY CONNECTION

Note:
All material and workmanship shall be in accordance with the City of Portland Standard Construction Specifications.

Effective Date: 02/08/2017

Calc. Book No.:

Baseline Report Date:

Standard Drawing No.

P-536

Plot Date: 2/8/2017 3:51:04 PM