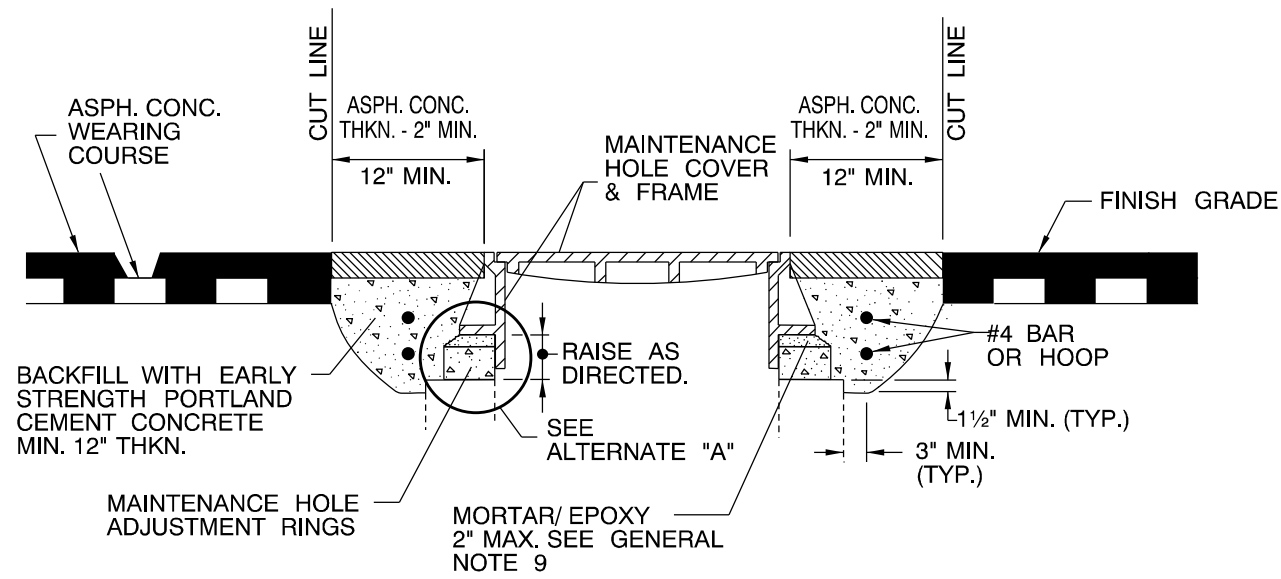
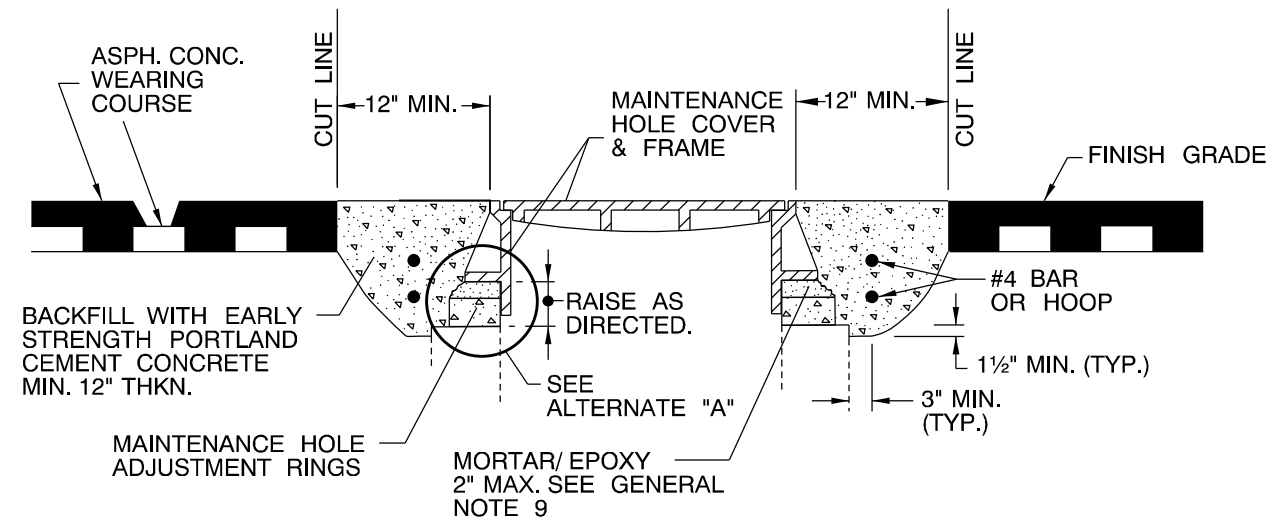


File name: U:\usdot\port\portland - STANDARD DRAWINGS\SECTION DIVISIONS\3-STREETS\MICROSTATION\STD DRAWING NO P-507\PLT_SHT_P-507.dgn
 Plot Date: 1/24/2022 8:27:09 AM



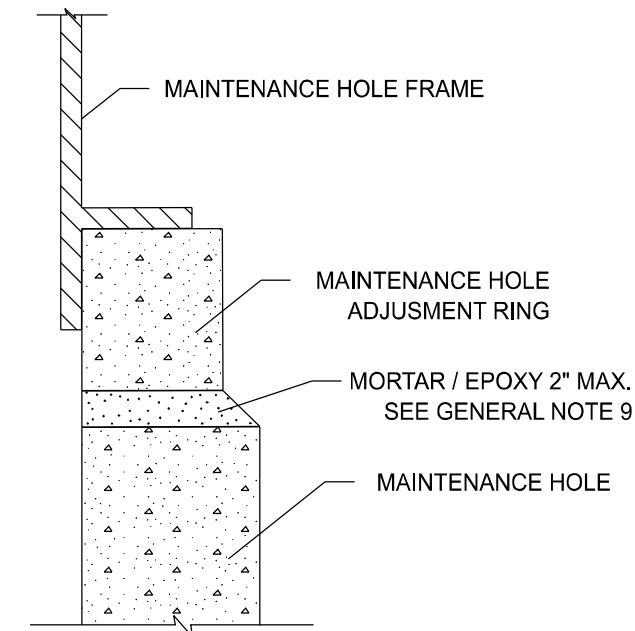
METHOD "A"



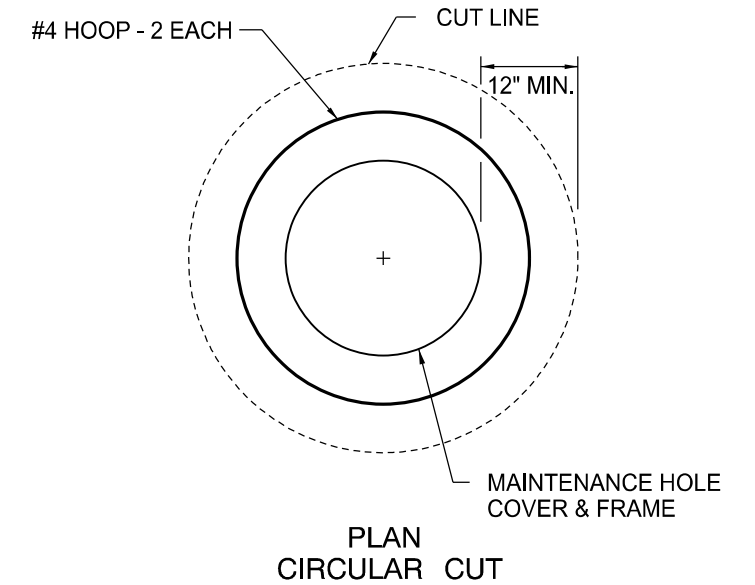
METHOD "B"

GENERAL NOTES FOR ALL DETAILS:

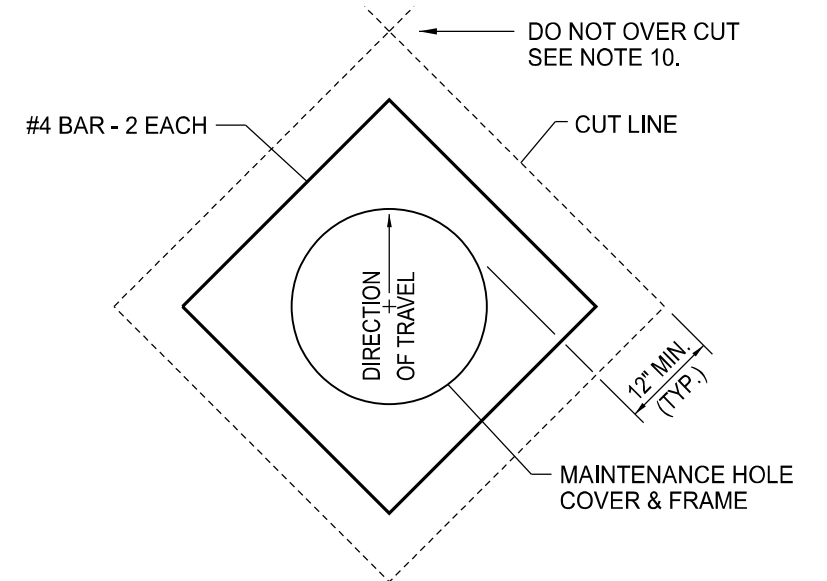
1. COVER MAINTENANCE HOLE WITH BUILDING PAPER AND CONSTRUCT ASPHALT CONCRETE BASE COURSE AND WEARING COURSES.
2. SAW CUT SQUARE OR CIRCULAR EXCAVATION AROUND MAINTENANCE HOLE 12" MIN. FROM MAINTENANCE HOLE FRAME.
3. RAISE MAINTENANCE HOLE COVER AND FRAME AND ADJUST TO MATCH FINISH GRADE BY INSTALLING CONCRETE MAINTENANCE HOLE ADJUSTMENT RINGS AND LEVELING MORTAR, AS SHOWN.
4. BACKFILL WITH 4000 PSI. MINIMUM PORTLAND CEMENT CONCRETE.
5. PROTECT FROM TRAFFIC LOADING.
6. APPLY TACK COAT TO EDGES OF EXISTING PAVEMENT BEFORE INSTALLING PATCH.
7. SAND SEAL ALL JOINTS.
8. SEE P-171 THRU P-182 FOR MAINTENANCE HOLE COVERS AND FRAMES.
9. USE EPOXY FOR SYNTHETIC GRADE RINGS.
10. DO NOT OVERCUT BEYOND WHAT IS NEEDED TO ACHIEVE FULL DEPTH CUT.




ALTERNATE "A"



PLAN CIRCULAR CUT



PLAN SQUARE CUT

The selection and use of this Standard Drawing, while designed in accordance with generally accepted engineering principles and practices, is the sole responsibility of the user.	PBOT PORTLAND BUREAU OF TRANSPORTATION  City Engineer	
	Standard Drawing Title MAINTENANCE HOLE FRAME ADJUSTMENT	
	Effective Date: 03-10-2021	Standard Drawing No.
	Calc. Book No.: 507	P-507
Note: All material and workmanship shall be in accordance with the City of Portland Standard Construction Specifications.	Std. Drg. Report Date: 10-04-2017	