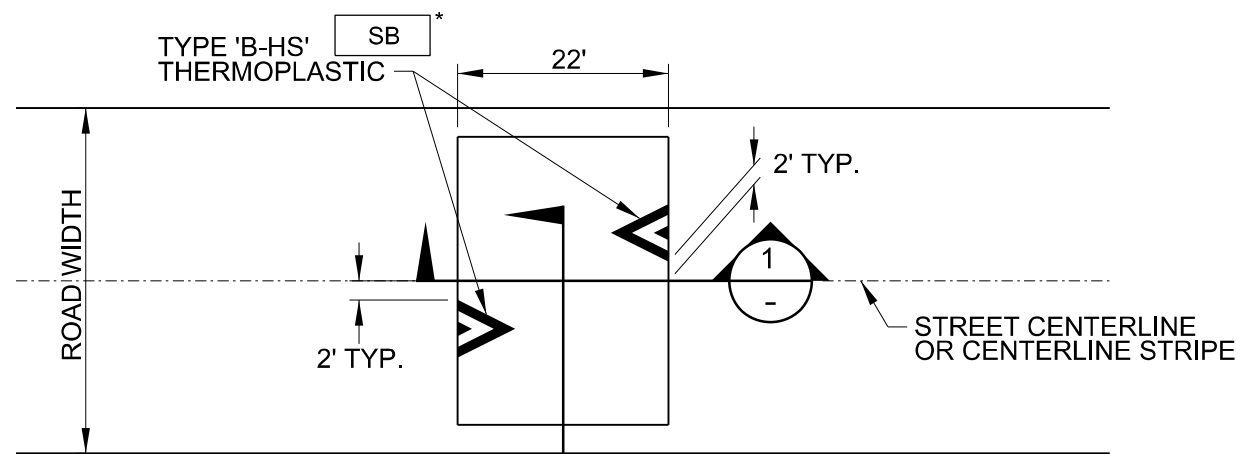
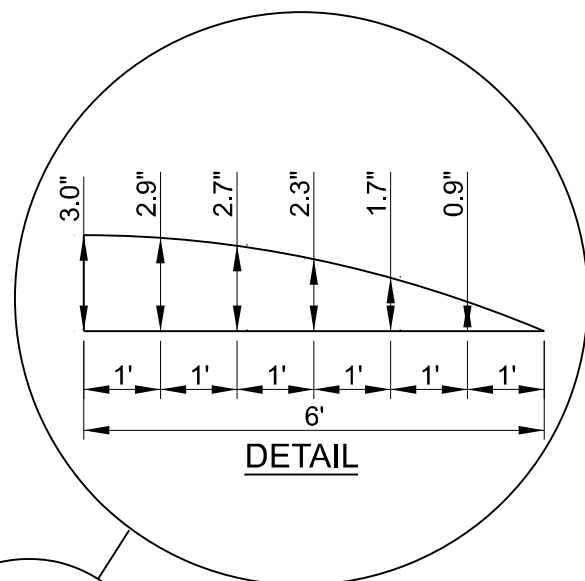


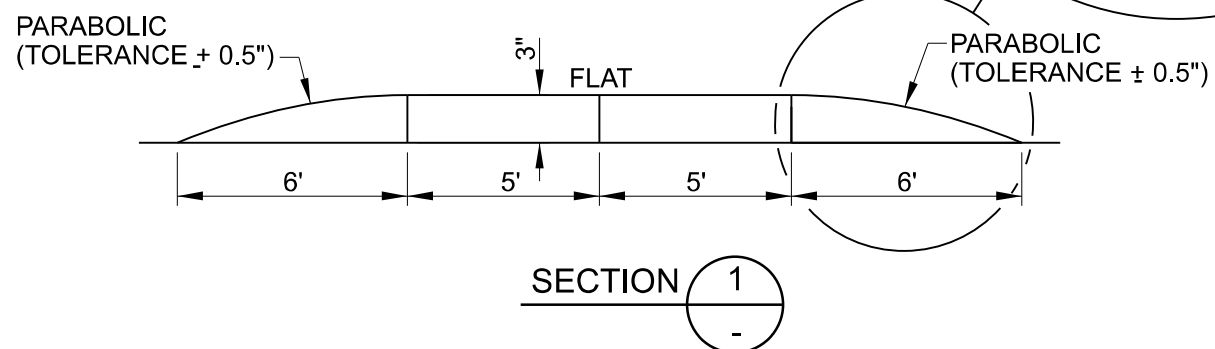
Plot Date: 9/12/2022 12:00pm
 Filename: U:\usdot\port\ogm\city of portland - standard drawings\section drawings\3-STREETS\MICROSTATION\STD DRAWING NO P-441\PLT_SHT_P-441.dgn
 SCALE: 1/8" = 1'-0"



PLAN



DETAIL

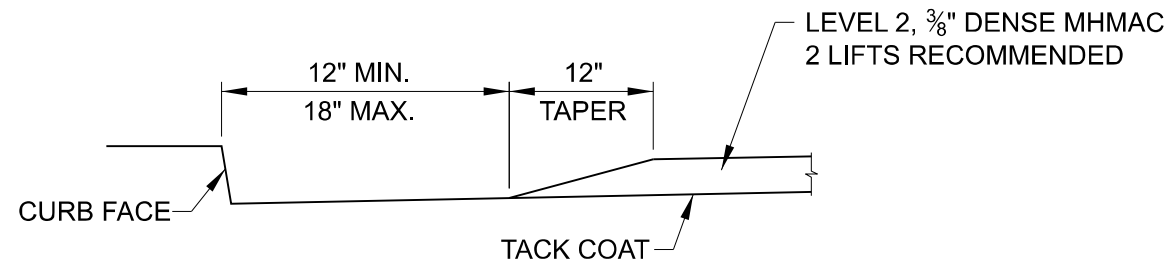


SECTION 1

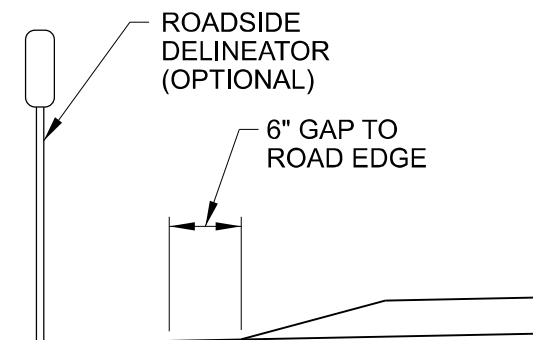
NOTES:

1. PAVEMENT MARKINGS ON SPEED BUMP SHALL BE INSTALLED CONCURRENTLY WITH THE ASPHALT STRUCTURES.
2. PAVEMENT MARKINGS AND SIGNS SHALL BE INSTALLED BEFORE OPENING ANY LANE TO TRAFFIC THAT IS OCCUPIED BY A NEW SPEED BUMP. IF PERMANENT MARKINGS CANNOT BE INSTALLED CONCURRENTLY WITH THE ASPHALT STRUCTURES, INSTALL AND MAINTAIN TEMPORARY PAVEMENT MARKERS UNTIL PERMANENT MARKINGS ARE INSTALLED. IF PERMANENT MARKINGS ARE INSTALLED CONCURRENTLY WITH THE ASPHALT STRUCTURES, PERFORM A CHISEL TEST TO ENSURE PROPER BONDING BETWEEN MARKINGS AND ASPHALT AFTER COOLING.
3. PAVEMENT MARKING LAYOUT ASSUMES A TWO-LANE, TWO-WAY STREET WITH PARKING ON BOTH SIDES. FOR ALL OTHER CONFIGURATIONS SUBMIT REVISED LAYOUT TO ENGINEER FOR APPROVAL.

* SEE PBOT STANDARD DETAIL P-435



CURB DETAIL



SHOULDER DETAIL FOR STREETS WITHOUT CURBS

SECTION 2

The selection and use of this Standard Drawing, while designed in accordance with generally accepted engineering principles and practices, is the sole responsibility of the user.	PORTLAND BUREAU OF TRANSPORTATION City Engineer	
	Standard Drawing Title 22' ASPHALT ARTERIAL SPEED BUMP	
	Effective Date: 09-01-2022	Standard Drawing No.
	Note: All material and workmanship shall be in accordance with the City of Portland Standard Construction Specifications.	Calc. Book No.: 441 Std. Drg. Report Date: 03-15-2018
		P-441