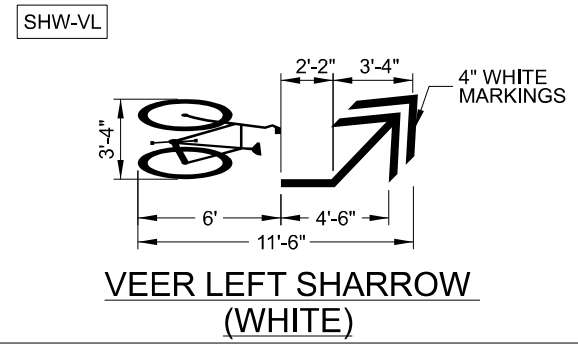
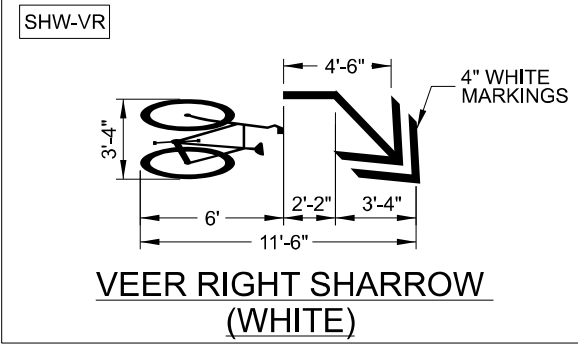
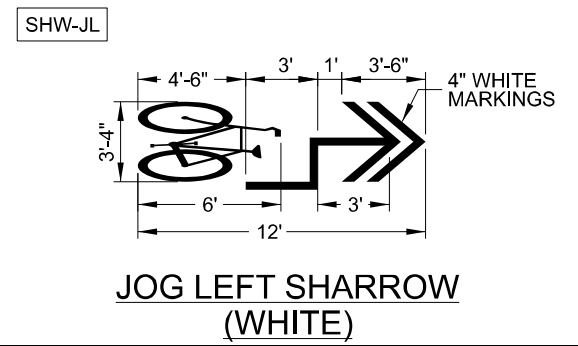
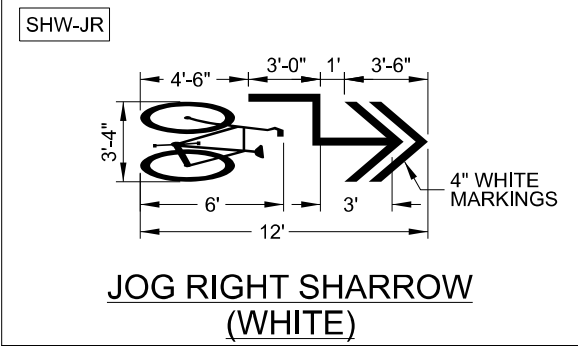
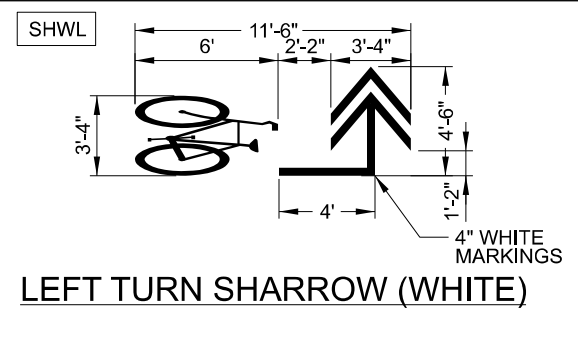
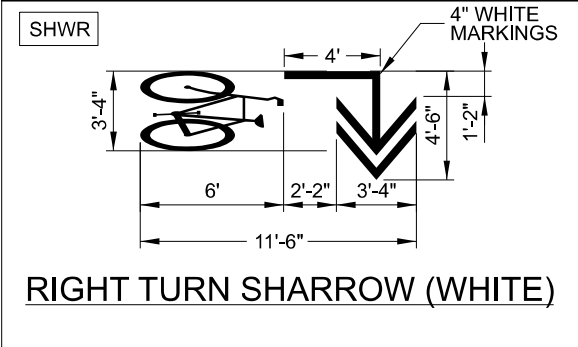
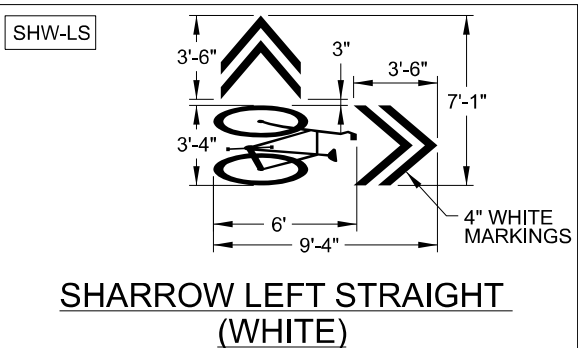
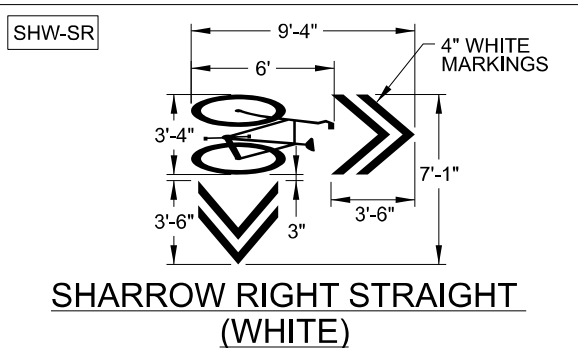
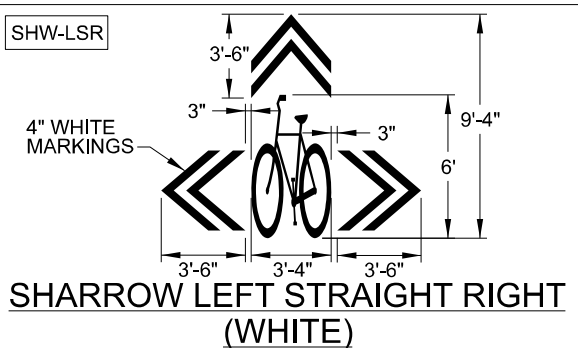
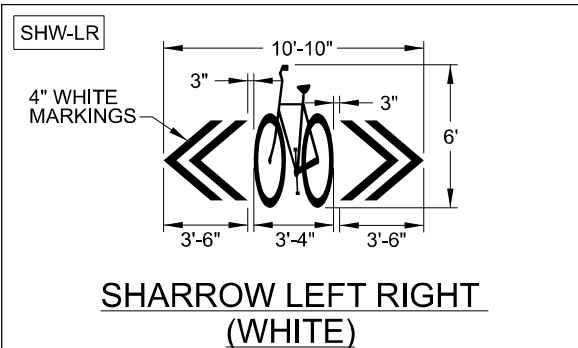


SCALE: 1" = 1'-0"

Plot Date: 9/12/2022 11:56:23 AM File Name: U:\usdot\port\og\ncity of portland - standard drawings\section divisions\3-streets\microstation\std drawing no p-437\plot_sht_p-437.dgn



<p>The selection and use of this Standard Drawing, while designed in accordance with generally accepted engineering principles and practices, is the sole responsibility of the user.</p>	<p>PBOT PORTLAND BUREAU OF TRANSPORTATION</p> <p><i>Steve Tamm</i> City Engineer</p>	
	<p>Standard Drawing Title</p> <p>PAVEMENT MARKINGS STANDARD DETAIL BLOCKS SHARROWS</p>	
	<p>Effective Date:</p>	<p>Standard Drawing No.</p> <p>P-437</p>
	<p>Note: All material and workmanship shall be in accordance with the City of Portland Standard Construction Specifications.</p>	<p>Calc. Book No.:</p> <p>Std. Drg. Report Date:</p>