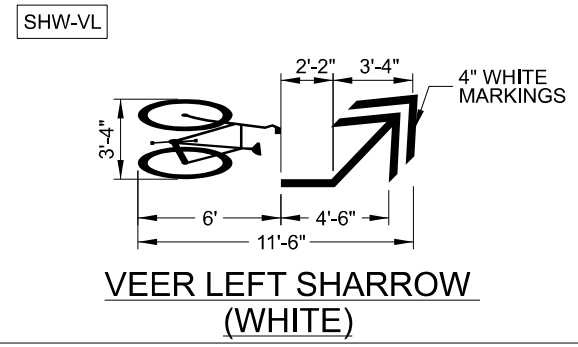
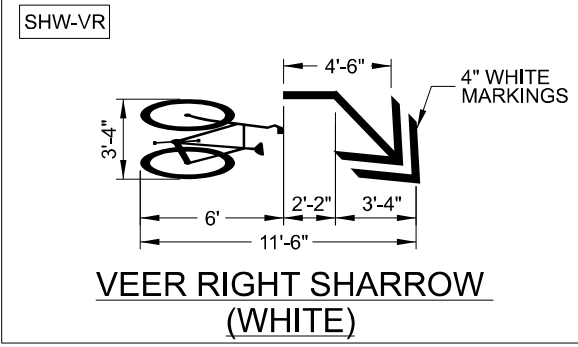
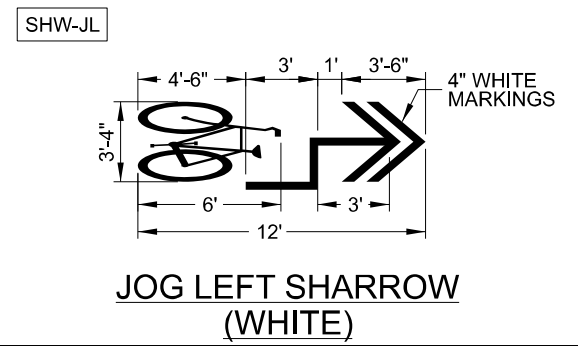
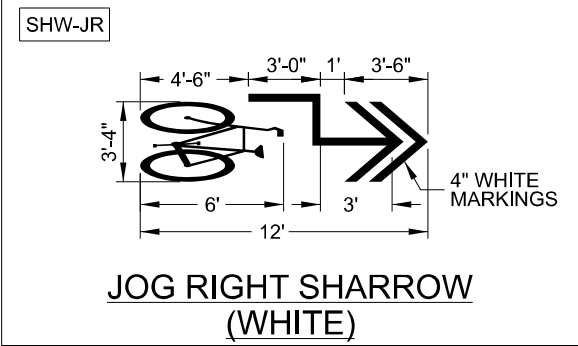
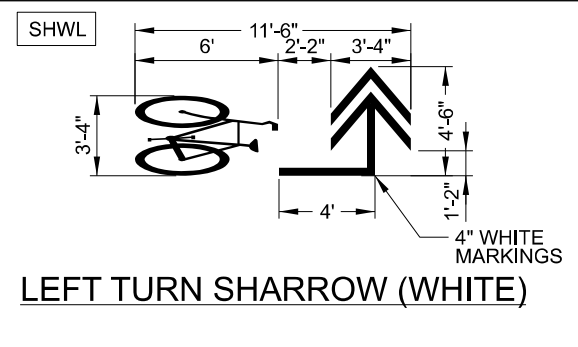
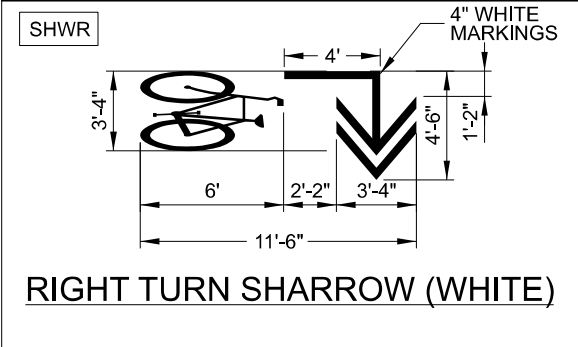
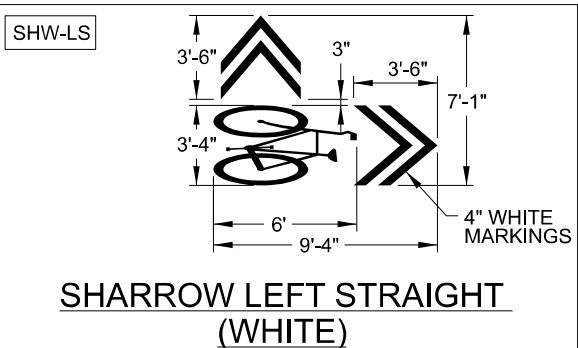
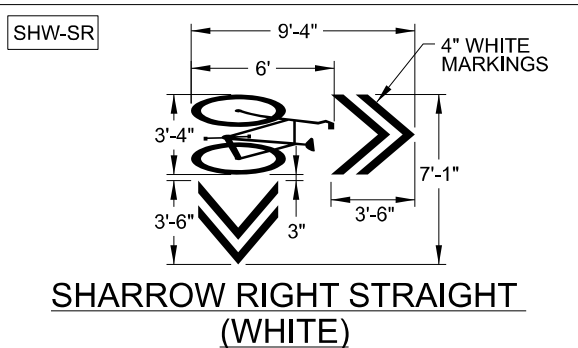
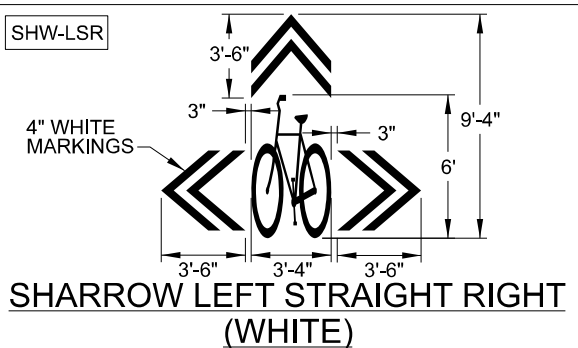
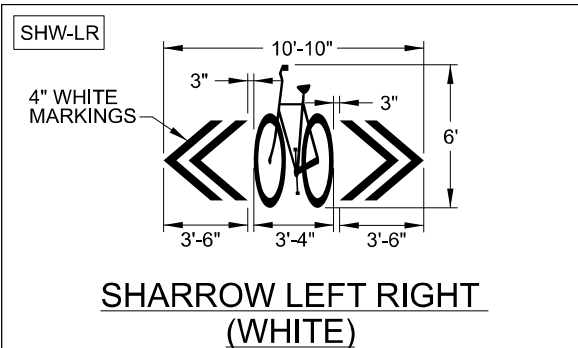


SCALE: 1" = 1'-0"

Plot Date: 9/12/2022 11:56:23 AM Filename: U:\usdot\port\ogncity of portland - standard drawings\section drawings\3-STREETS\MICROSTATION\STD DRAWING NO P-437\PLOT_SHT_P-437.dgn



<p>The selection and use of this Standard Drawing, while designed in accordance with generally accepted engineering principles and practices, is the sole responsibility of the user.</p> <p>Note: All material and workmanship shall be in accordance with the City of Portland Standard Construction Specifications.</p>	<p>PBOT PORTLAND BUREAU OF TRANSPORTATION</p> <p><i>Steve Tammen</i> City Engineer</p>	
	<p>Standard Drawing Title</p> <p>PAVEMENT MARKINGS STANDARD DETAIL BLOCKS SHARROWS</p>	
	<p>Effective Date:</p>	<p>Standard Drawing No.</p> <p>P-437</p>
	<p>Calc. Book No.:</p>	<p>Std. Drg. Report Date:</p>