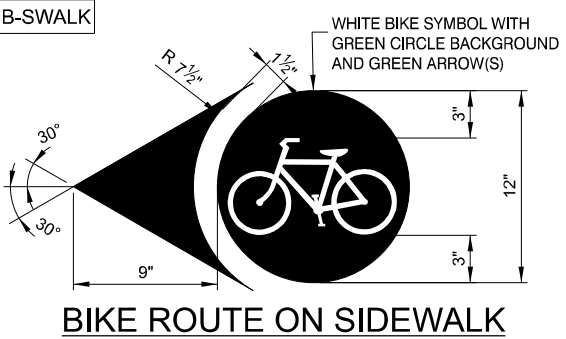
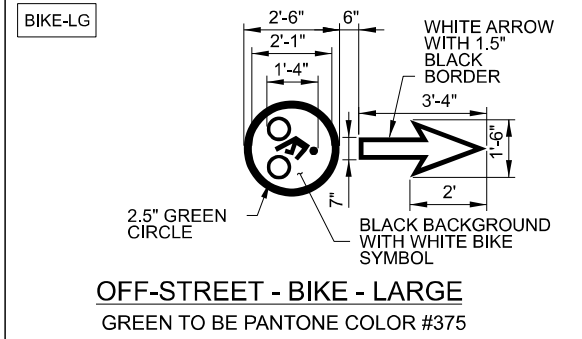
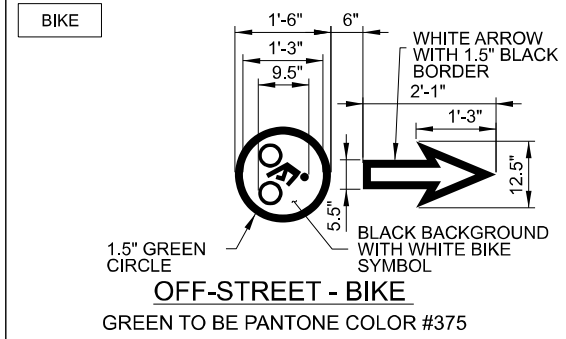
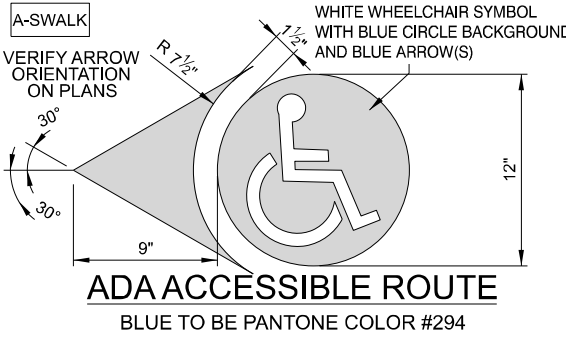
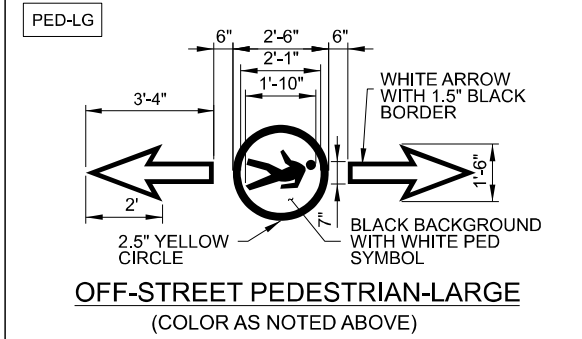
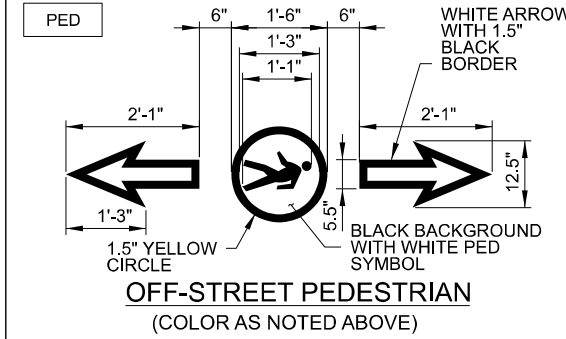
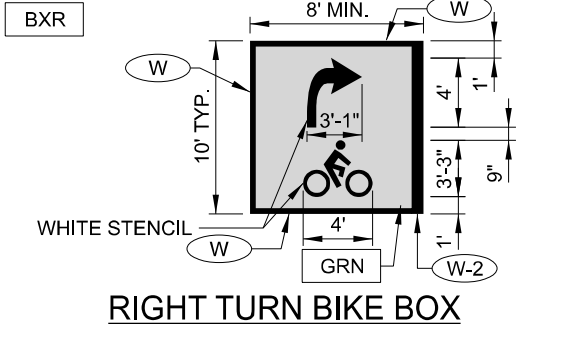
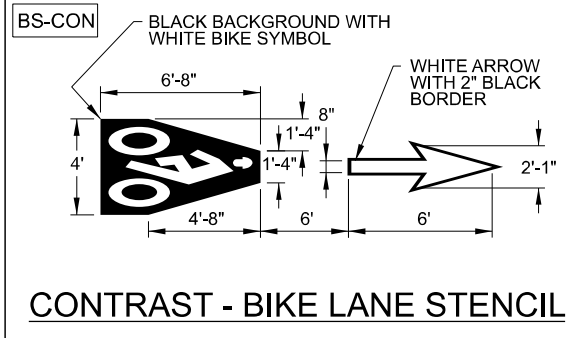
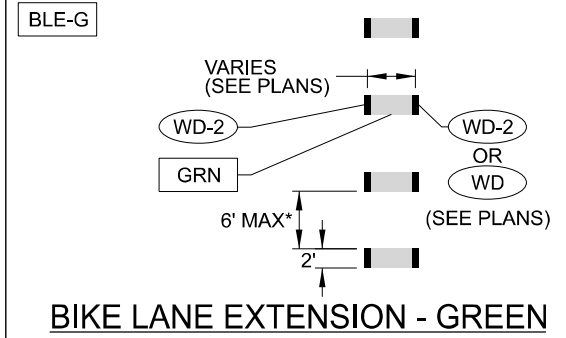
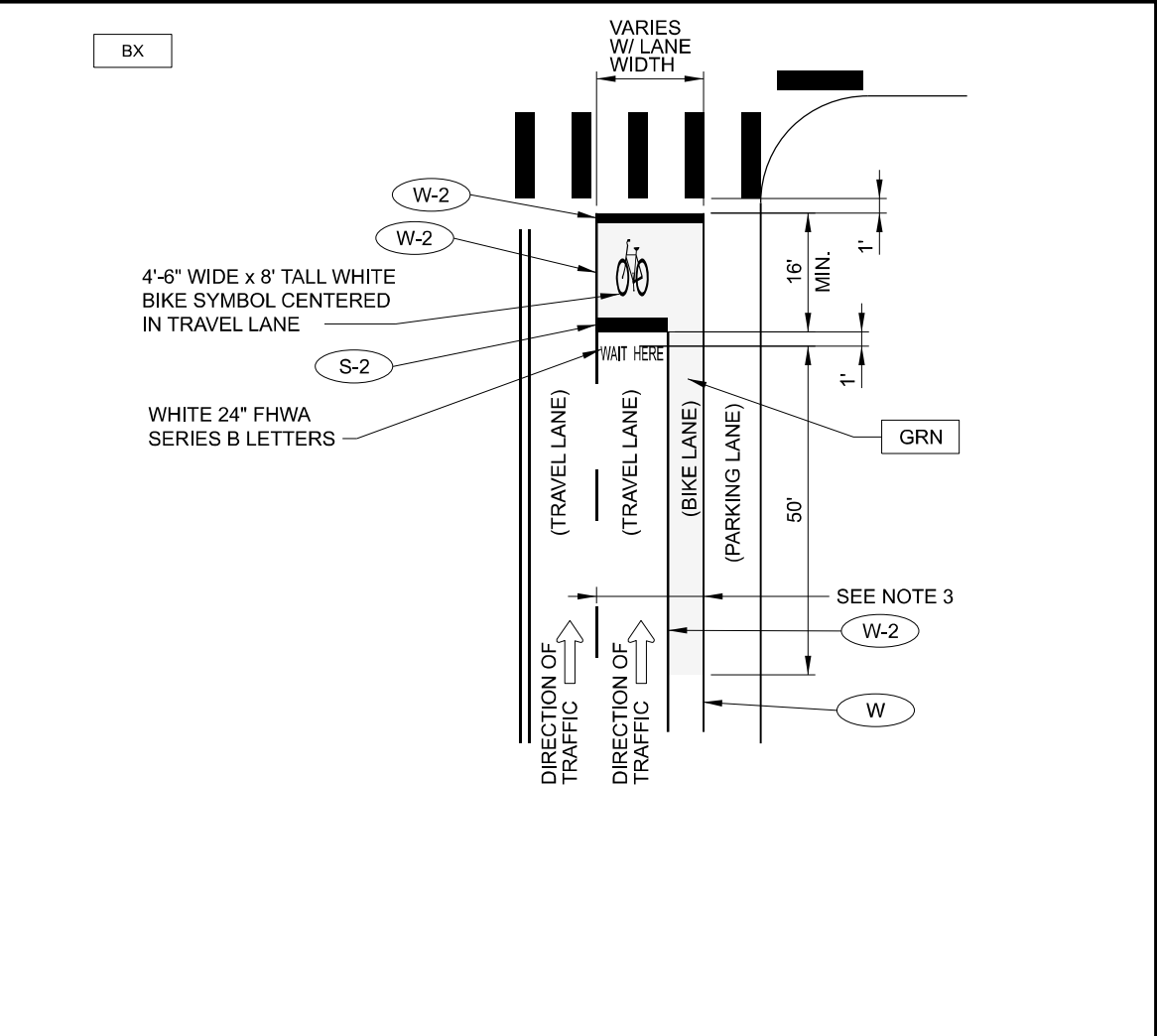
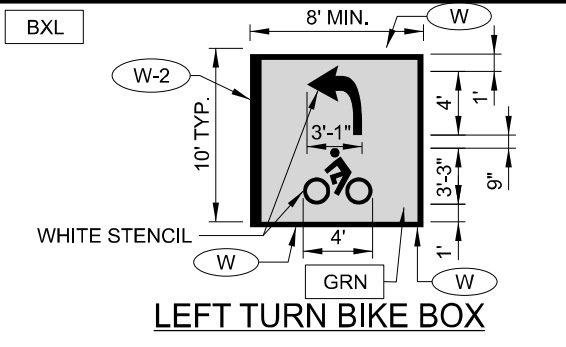
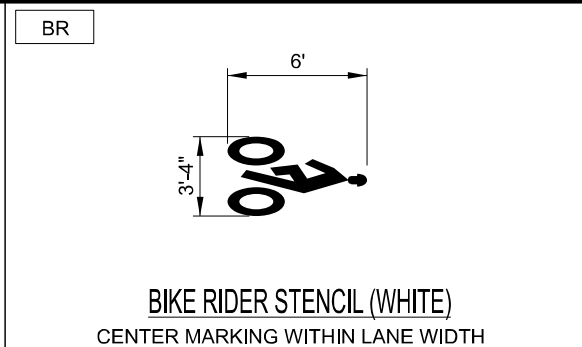
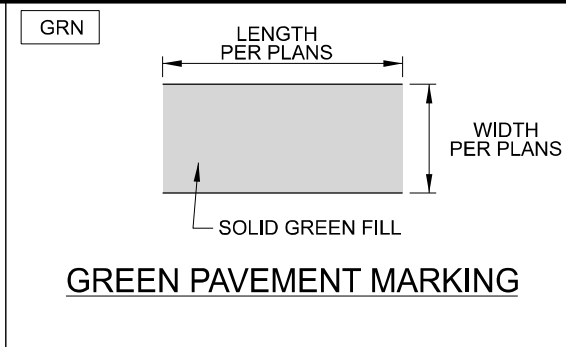


SCALE: 1" = 1'-0"
 File name: U:\usdot\portland\ogm\city of portland - standard drawings\section DIVISIONS\3-STREETS\MICROSTATION\STD DRAWING NO P-436\PLOT_SHT_P-436.dgn
 Plot Date: 9/12/2022 11:22:32 AM



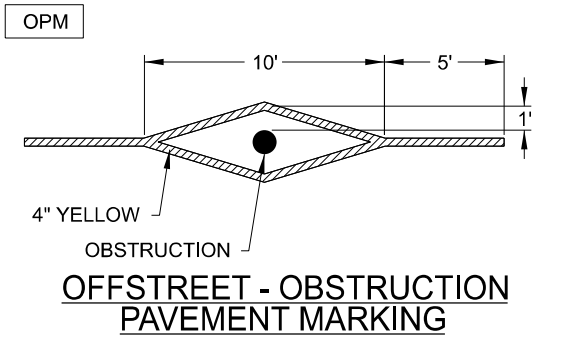
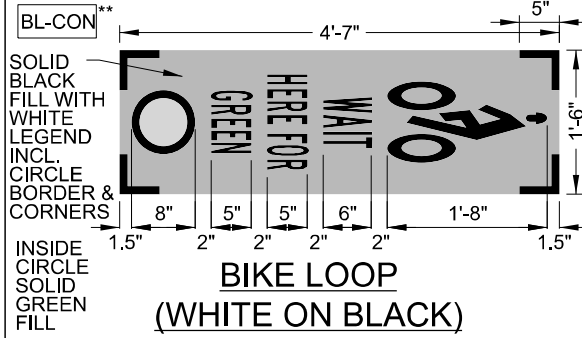
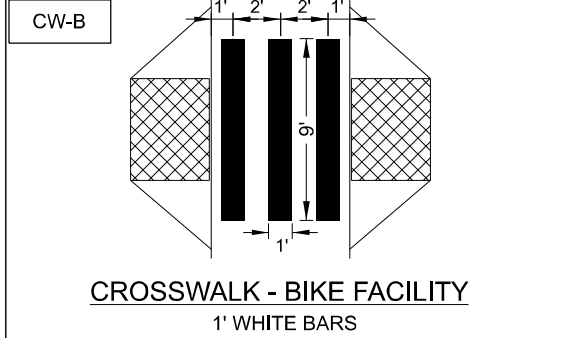
LEGEND:

- XX PBOT REFERENCE DETAIL
- XX ODOT REFERENCE DETAIL
- ➔ DIRECTION OF TRAFFIC, INCREASING STATIONING OR THRU TRAFFIC SIDE.

GENERAL NOTES:

1. ARROW, LETTER AND BIKE SYMBOL DIMENSIONS ARE NOMINAL.
2. GREEN PAVEMENT MARKINGS ARE FROM "PANTONE" COLOR PALETTE #375.
3. FOR PROPORTION DETAILS, SEE CURRENT VERSION OF STANDARD HIGHWAY SIGNS.
4. LINES IDENTIFIED IN BIKE BOX DETAILS MAY BE REPLACED BY CURB AND/OR OTHER PAVEMENT MARKINGS.

* ADJUST SPACING TO MISS WHEEL TRACKS (BLE-G)
 ** FEDERALLY FUNDED PROJECTS SHOULD USE ODOT BIKE DETECTOR MARKING (BL-CON)



The selection and use of this Standard Drawing, while designed in accordance with generally accepted engineering principles and practices, is the sole responsibility of the user.	PBOT PORTLAND BUREAU OF TRANSPORTATION City Engineer	
	Standard Drawing Title PAVEMENT MARKINGS STANDARD DETAIL BLOCKS PEDESTRIAN AND BICYCLE	
Note: All material and workmanship shall be in accordance with the City of Portland Standard Construction Specifications.	Effective Date: 09-01-2022	Standard Drawing No.
	Calc. Book No.: n/a	P-436
Std. Drg. Report Date: 10-16-2020		