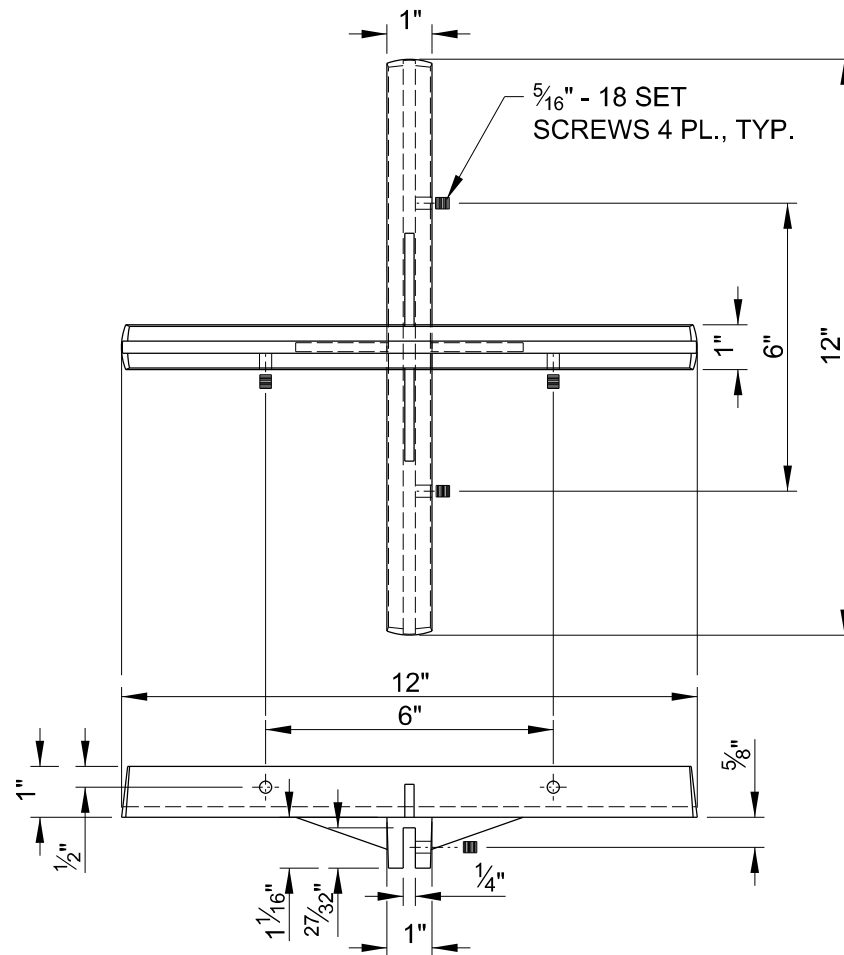
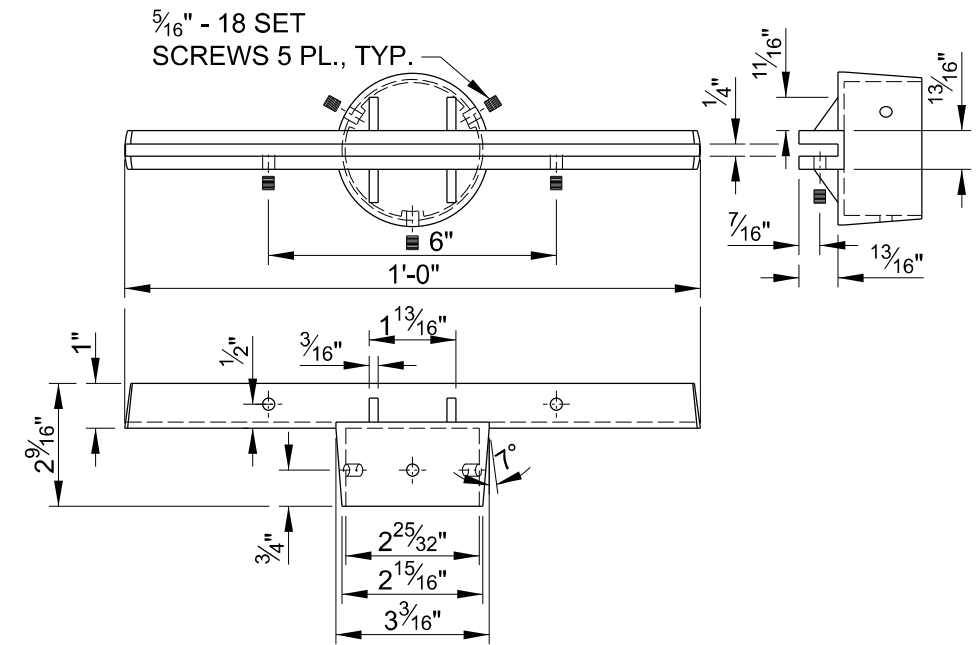


SCALE: 3/8" = 1'-0"

Plot Date: 9/12/2022 10:09:19 AM File Name: U:\usstation\OGN\CITY OF PORTLAND - STANDARD DRAWINGS\SECTION DIVISIONS\3-STREETS\MICROSTATION\STD DRAWING NO P-412\PL0T\_SHT\_P-412.dgn



**DOUBLE SNS CROSS-PIECE**



**SINGLE SNS POST CAP**

**NOTES:**

1. BRACKET MATERIAL: CAST ALUMINUM ALLOY A380
2. SET SCREW MATERIAL : STAINLESS STEEL
3. DIMENSIONS SHOWN AFTER FINISH
4. APPLY 25-40 INCH-POUNDS OF PRESSURE TO SET SCREWS
5. FOR USE WITH 8" AND 12" HEIGHT STREET NAME SIGNS ONLY. 16" HEIGHT SIGNS CAN NOT BE MOUNTED ON A PIPE POST WITH CROSS PIECE HARDWARE.

<p>The selection and use of this Standard Drawing, while designed in accordance with generally accepted engineering principles and practices, is the sole responsibility of the user.</p>	<p><b>PBOT</b> PORTLAND BUREAU OF TRANSPORTATION</p> <p><i>Steve Tomm</i> City Engineer</p>	
	<p>Standard Drawing Title</p> <p><b>STREET NAME SIGN HARDWARE DETAILS FOR PIPE POST MOUNT</b></p>	
<p>Note: All material and workmanship shall be in accordance with the City of Portland Standard Construction Specifications.</p>	<p>Effective Date: 09-01-2022</p>	<p>Standard Drawing No.</p>
	<p>Calc. Book No.: n/a</p>	<p><b>P-412</b></p>
	<p>Std. Drg. Report Date: n/a</p>	