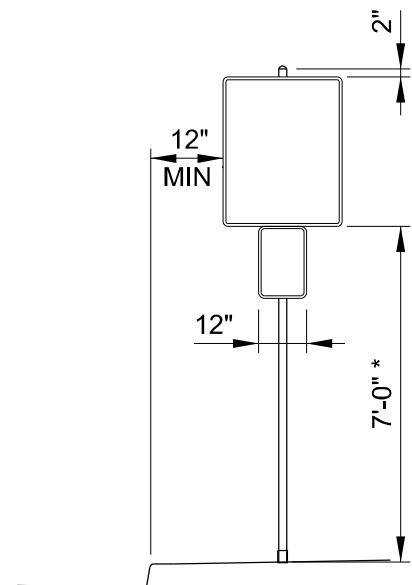


SCALE: 1/4" = 1'-0"

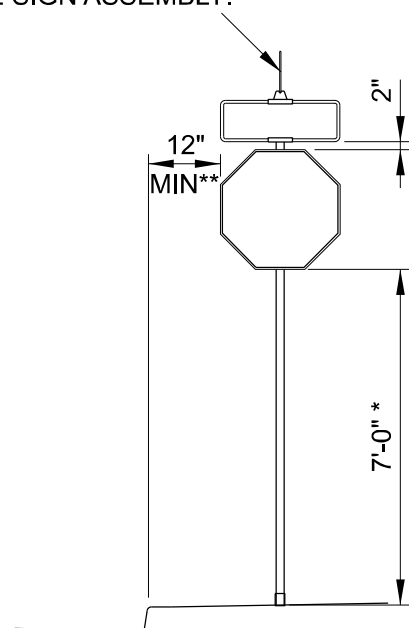
Plot Date: 9/12/2022 10:06:33 AM File Name: U:\usdot\port\og\city of portland - standard drawings\section DIVISIONS\3-STREETS\MICROSTATION\STD DRAWING NO P-400\PLOT_SHT_P-400.dgn

PARKING SIGNS SHALL BE INSTALLED AT A 45° ANGLE TO TRAFFIC FLOW

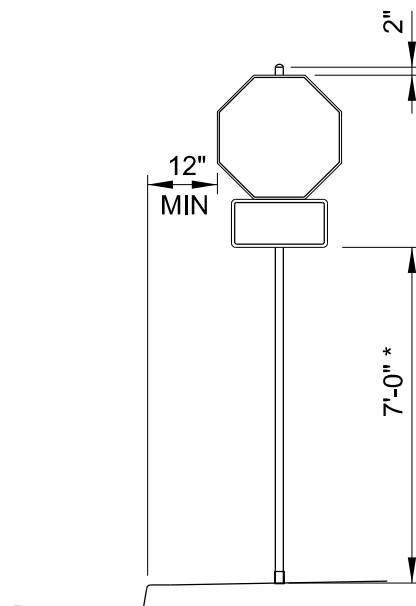


**COMBINATION TRAFFIC/
PARKING SIGN**

EAST-WEST ORIENTED STREET NAME SIGNS ARE MOUNTED AT THE TOP OF THE SIGN ASSEMBLY.

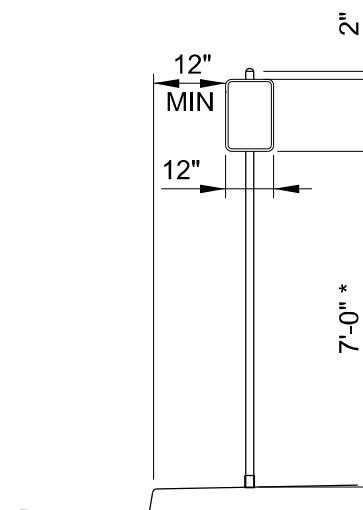


**COMBINATION STOP/STREET NAME
SIGN**



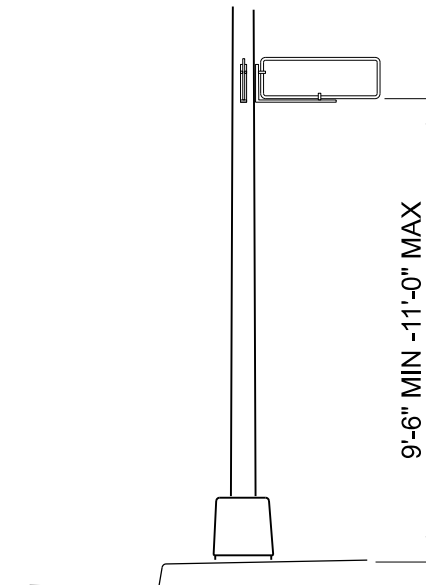
**COMBINATION TRAFFIC
SIGN**

PARKING SIGNS SHALL BE INSTALLED AT A 45° ANGLE TO TRAFFIC FLOW



STAND ALONE PARKING SIGN

CANTILEVER MOUNTED STREET NAME SIGNS SHALL BE ORIENTED AWAY FROM THE CURB LINE.



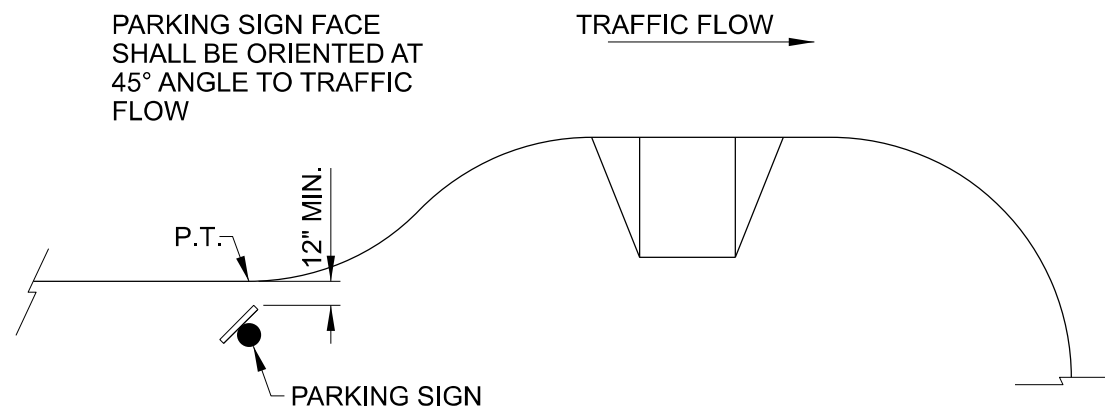
**GROUND MOUNT
STREET NAME SIGNS
(CANTILEVER MOUNT OR CENTER
MOUNT ON PIPE POST)**

SIGNING GENERAL NOTES:

1. USE SCHEDULE 40 STANDARD 2" PIPE CONFORMING TO ASTM A53, GRADE B.
2. ALL PIPE SHALL BE CAPPED WHEN STREET NAME SIGNS ARE NOT REQUIRED.
3. MAINTAIN MINIMUM 4' HORIZONTAL PEDESTRIAN CLEARANCE.
4. MAINTAIN MINIMUM 5' HORIZONTAL CLEARANCE FROM FIRE HYDRANTS & UTILITY POLES.
5. MOUNTING HEIGHT SHOULD NOT BE MORE THAN 3 INCHES GREATER THAN THE MINIMUM HEIGHTS SHOWN

- * 7'-0" IS MINIMUM HEIGHT TO BOTTOM OF SIGN IN PEDESTRIAN ZONES. 8'-0" IS MINIMUM HEIGHT WHEN SIGNS ARE PLACED ABOVE A BIKE PATH.
- ** STREET NAME SIGNS MAY BE OFFSET IN THE BRACKET AWAY FROM THE CURB LINE TO MAINTAIN 12" OFFSET FROM THE CURB FACE.

PARKING SIGN FACE SHALL BE ORIENTED AT 45° ANGLE TO TRAFFIC FLOW



**TYPICAL PARKING SIGN MOUNT PLACEMENT
ADJACENT TO CURB EXTENSION**

The selection and use of this Standard Drawing, while designed in accordance with generally accepted engineering principles and practices, is the sole responsibility of the user.	PBOT PORTLAND BUREAU OF TRANSPORTATION City Engineer	
	Standard Drawing Title <p style="text-align: center;">SIGN PLACEMENT</p>	
Note: All material and workmanship shall be in accordance with the City of Portland Standard Construction Specifications.	Effective Date: 09-01-2022	Standard Drawing No.
	Calc. Book No.: n/a	<p style="text-align: center;">P-400</p>
	Std. Drg. Report Date: n/a	