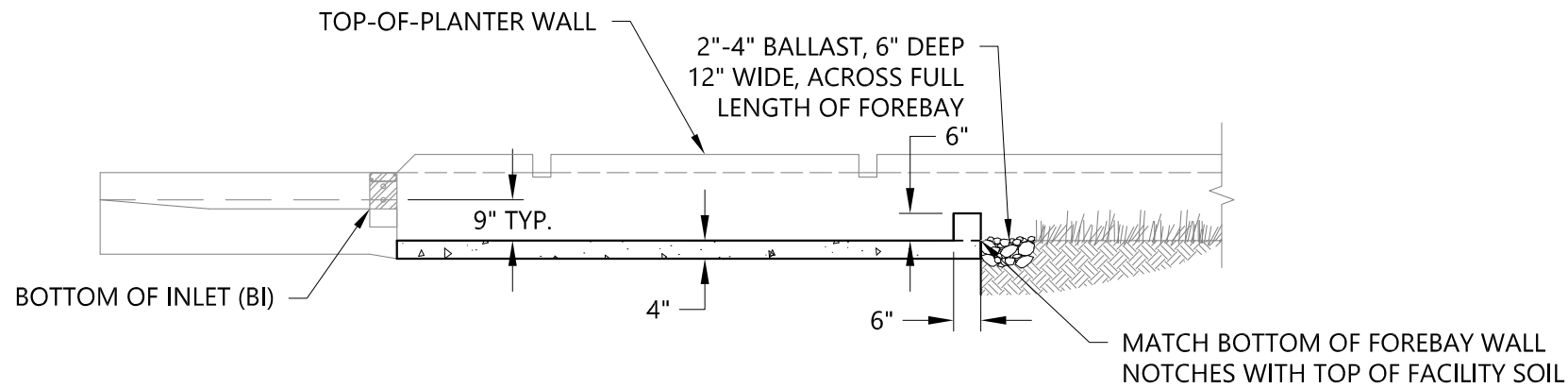
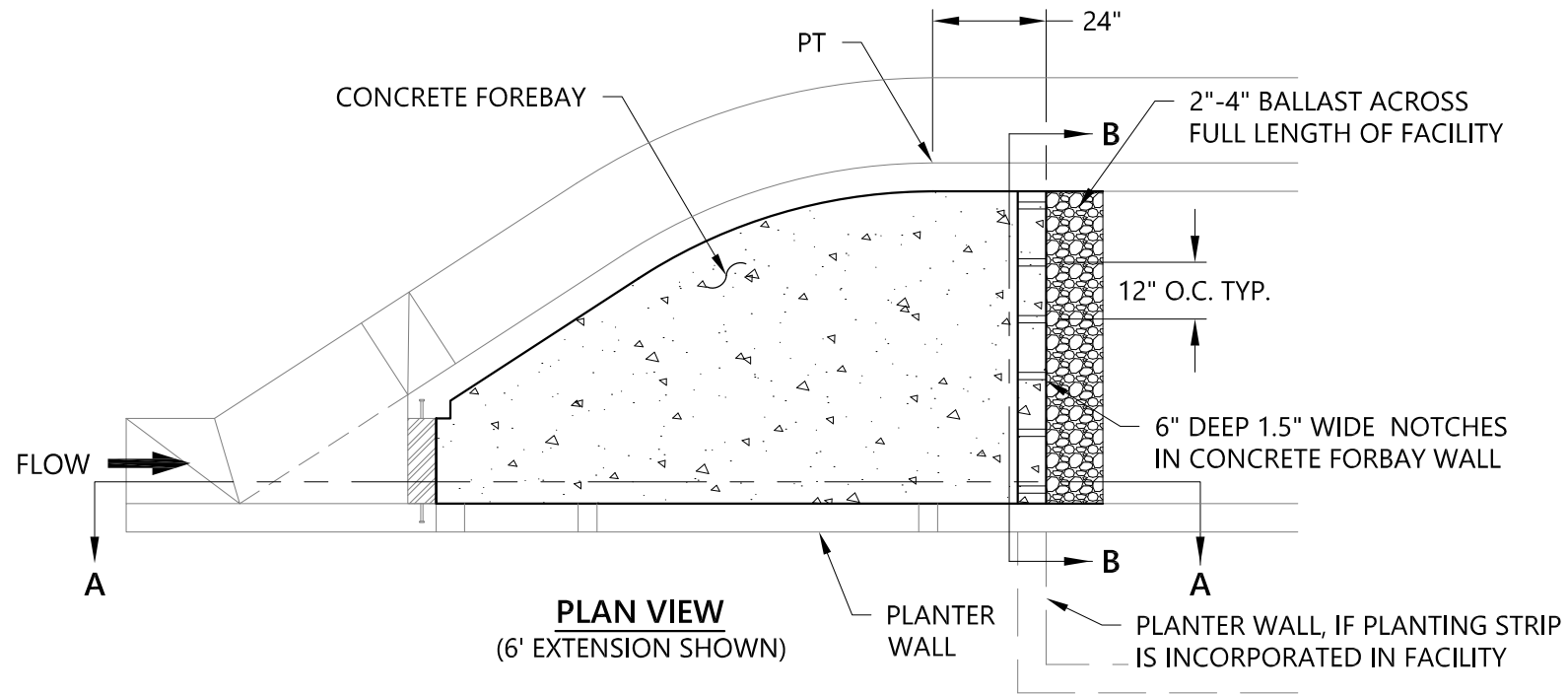
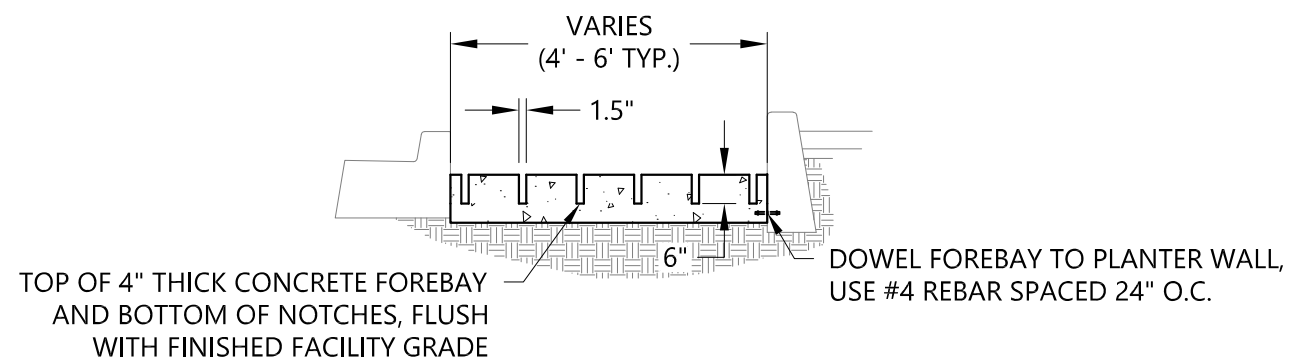


P-306_CURB_EXTENSION_NOTCHED_FOREBAY.DWG 8/24/20 7:46 AM DANPE




SECTION A-A



SECTION B-B

NOTES:

1. REFER TO CITY OF PORTLAND STANDARD DRAWING P-540 FOR 18" THICKENED CURB AND GUTTER
2. REFER TO CITY OF PORTLAND STANDARD DRAWING P-301 FOR CONCRETE INLET, TYPE METAL, CURB EXTENSIONS.
3. REFER TO CITY OF PORTLAND STANDARD DRAWING P-302 FOR METAL INLET ASSEMBLY.

<p>The selection and use of this Standard Drawing, while designed in accordance with generally accepted engineering principles and practices, is the sole responsibility of the user.</p>	 <p>Bureau of Environmental Services CITY OF PORTLAND, OREGON William Ryan <small>Digitally signed by William Ryan Date: 2020.09.10 13:31:36 -07'00'</small> Chief Engineer</p>	
	<p>STANDARD DRAWING Title</p> <p style="text-align: center;">CURB EXTENSION NOTCHED FOREBAY</p>	
<p>Note: All material and workmanship shall be in accordance with the City of Portland Standard Construction Specifications.</p>	<p>Effective Date: 07-31-20</p>	<p>Standard Drawing No.</p> <p style="text-align: center;">P-306</p>
	<p>Calc. Book No.: N/A</p>	
	<p>Baseline Report Date: N/A</p>	