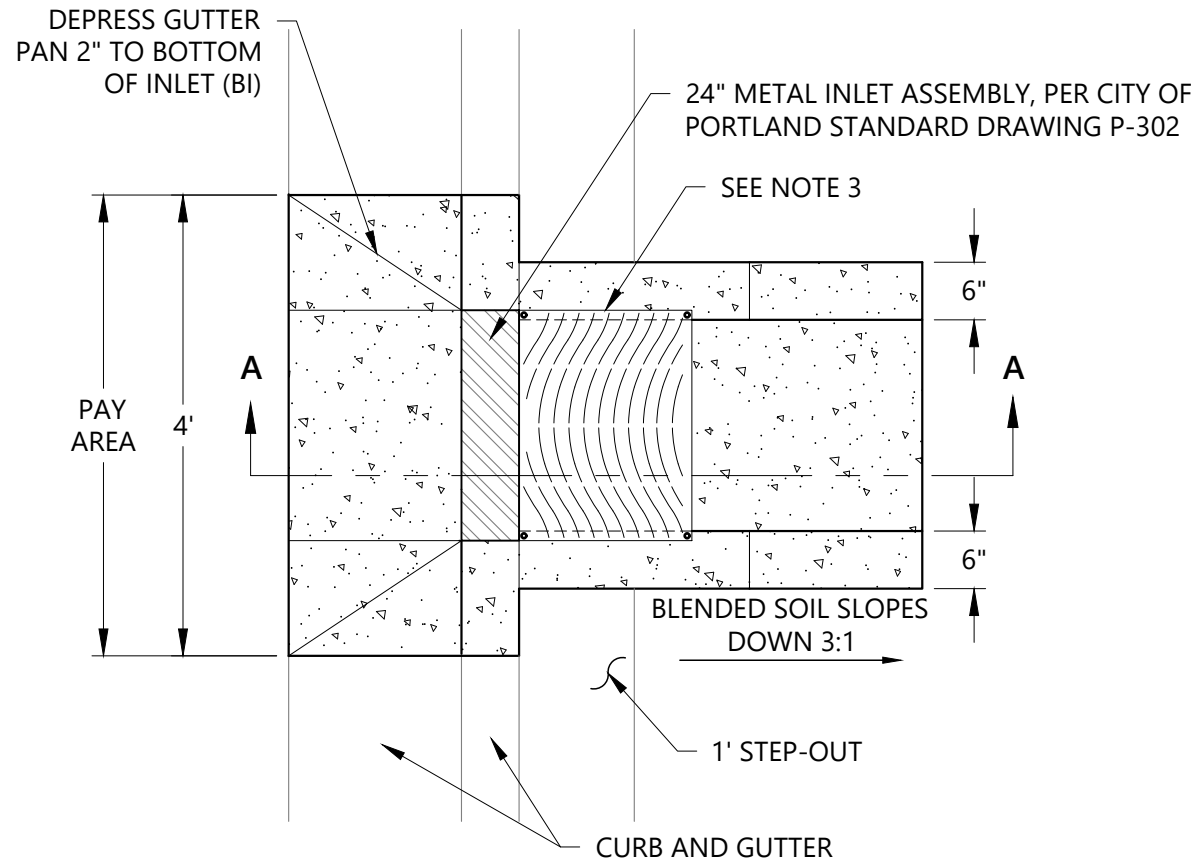
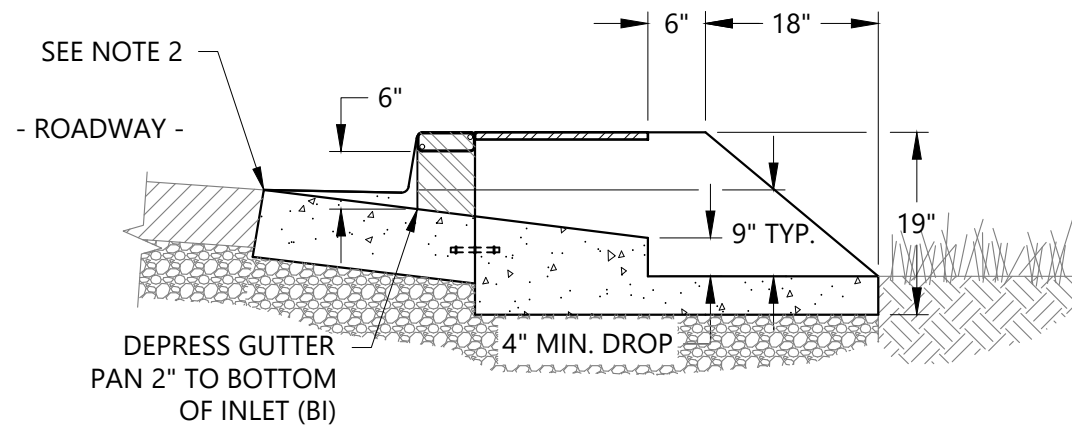
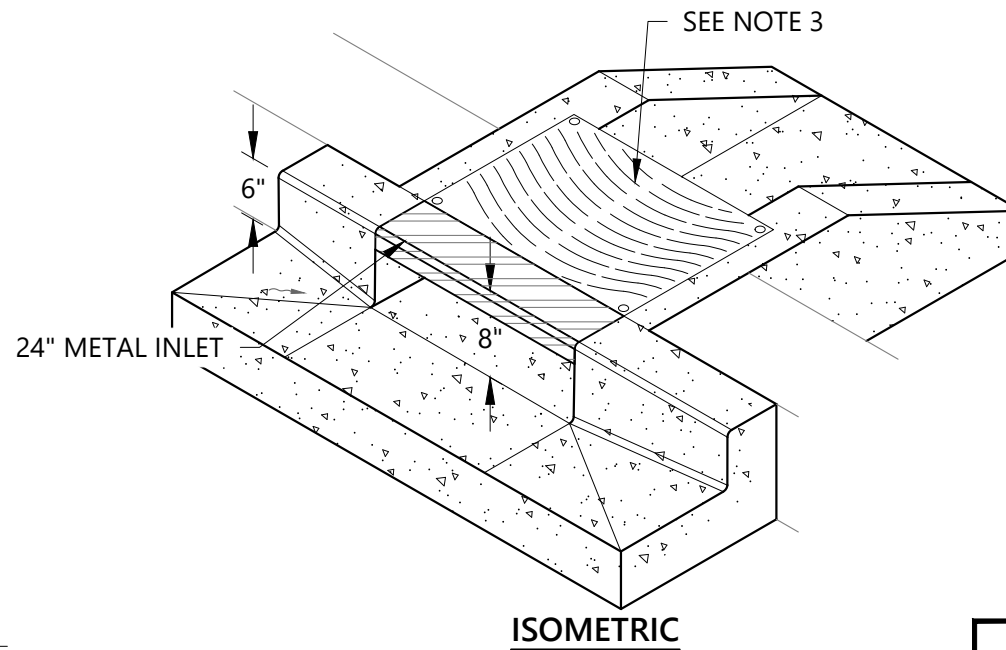


P-304_CONCRETE_INLET_TYPE_METAL_WITH_CHANNEL_AND_GRATE_(1_STEP-OUT).DWG 7/27/22 8:41 AM DPERDE




PLAN VIEW



SECTION A-A

NOTES:

1. REFER TO CITY OF PORTLAND STANDARD DRAWING P-540 FOR MODIFIED CURB AND GUTTER.
2. SMOOTH TRANSITION TO ENSURE WATER FLOWS INTO GUTTER.
3. CHANNEL GRATE AND FRAME:
 - 3.1. OLYMPIC FOUNDRY INC. SM50 18"x24" "TWS" ADA GRATE WITH FRAME, OR APPROVED EQUAL.
 - 3.2. CAST IRON WITH NATURAL FINISH.
 - 3.3. RATED FOR H-20 LOADING.
 - 3.4. ADA COMPLIANT.
 - 3.5. BOLT GRATE TO FRAME IN TWO OPPOSITE CORNERS. COUNTERSINK, DRILL AND TAP SS 6-SIDED HEX HEAD BOLT.
 - 3.6. BOLTS TO HAVE ANTI-SEIZE THREADED LUBRICANT APPLIED AT INSTALLATION.
4. PAY AREA INCLUDES ALL CONCRETE ITEMS SHOWN, INCLUDING SPLASH PADS, CHANNEL GRATE, FRAME, AND METAL INLET ASSEMBLY.

<p>The selection and use of this Standard Drawing, while designed in accordance with generally accepted engineering principles and practices, is the sole responsibility of the user.</p>	 <p>Bureau of Environmental Services CITY OF PORTLAND, OREGON</p> <p>Chief Engineer</p>	
	<p>STANDARD DRAWING Title</p> <p>CONCRETE INLET, TYPE METAL WITH CHANNEL AND GRATE (1 FT STEP-OUT)</p>	
<p>Note: All material and workmanship shall be in accordance with the City of Portland Standard Construction Specifications.</p>	<p>Effective Date: 07-31-20</p>	<p>Standard Drawing No.</p> <p>P-304</p>
	<p>Calc. Book No.: N/A</p>	
	<p>Baseline Report Date: N/A</p>	