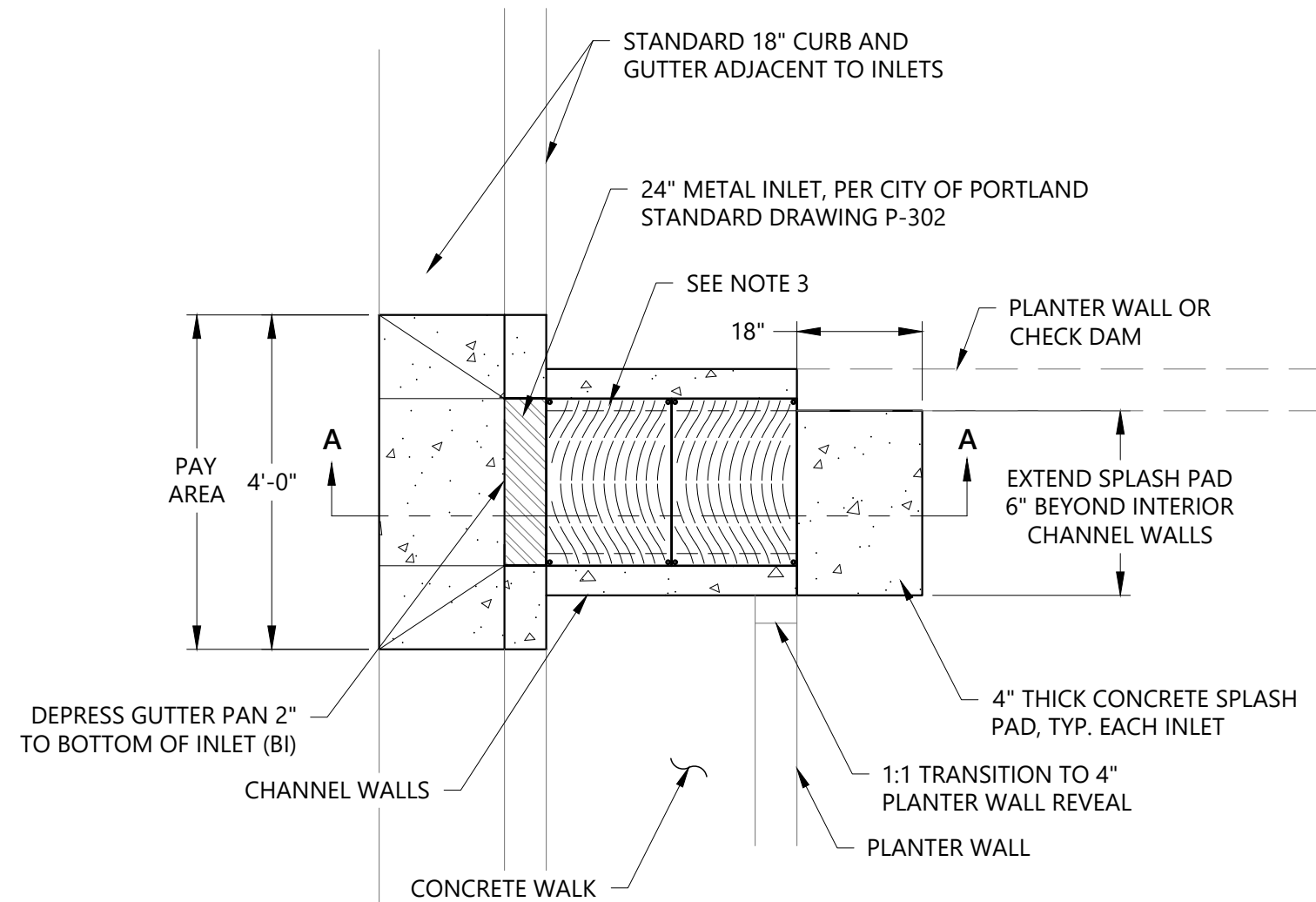
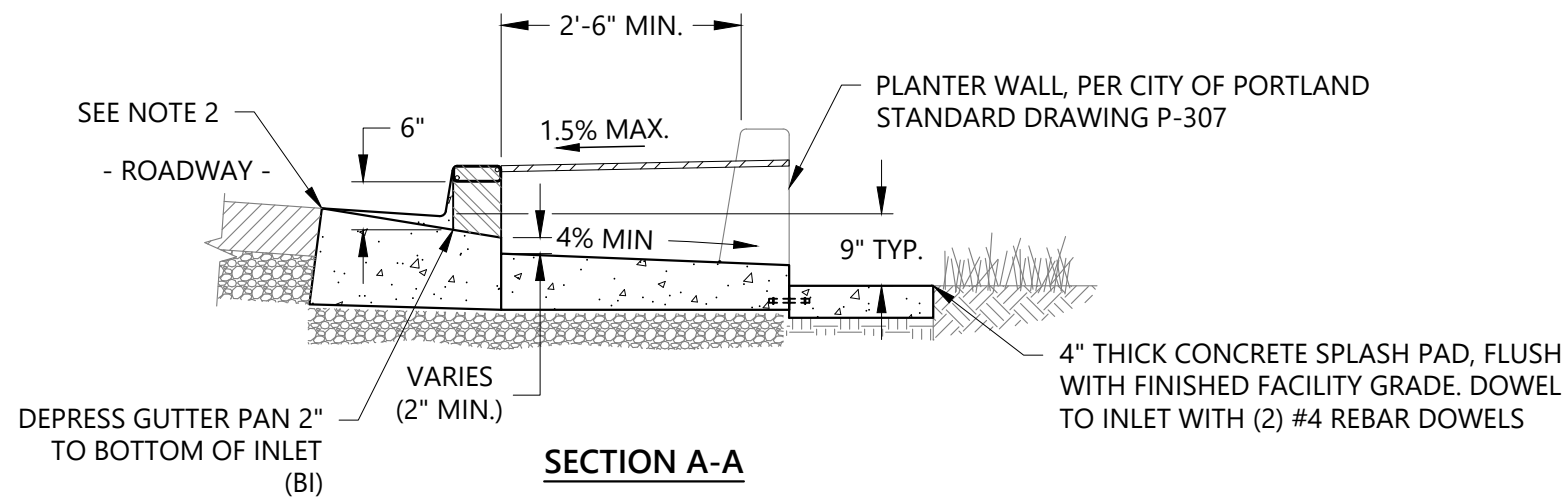


P-303\_CONCRETE\_INLET\_TYPE\_METAL\_WITH\_CHANNEL\_AND\_GRATE\_(2.5\_STEP-OUT).DWG 7/27/22 8:40 AM DPERDE




**PLAN**  
(AT PLANTER WALL OR CHECK DAM)



**NOTES:**

1. REFER TO CITY OF PORTLAND STANDARD DRAWING P-540 FOR 18" THICKENED CURB AND GUTTER.
2. SMOOTH TRANSITION TO ENSURE WATER FLOWS INTO GUTTER.
3. CHANNEL GRATE AND FRAME:
  - 3.1. OLYMPIC FOUNDRY INC. SM50 18"x24" "TWS" ADA GRATE AND FRAME, OR APPROVED EQUAL.
  - 3.2. CAST IRON WITH NATURAL FINISH.
  - 3.3. RATED FOR H-20 LOADING
  - 3.4. ADA COMPLIANT.
  - 3.5. BOLT GRATE TO FRAME IN TWO OPPOSITE CORNERS. COUNTER SINK, DRILL AND TAP FOR SS 6-SIDED HEX HEAD BOLT.
  - 3.6. BOLTS TO HAVE ANTI-SEIZE THREAD LUBRICANT APPLIED AT INSTALLATION.
4. PAY AREA INCLUDES ALL CONCRETE ITEMS SHOWN, INCLUDING SPLASH PADS, CHANNEL GRATE, FRAME, AND METAL INLET ASSEMBLY.

<p>The selection and use of this Standard Drawing, while designed in accordance with generally accepted engineering principles and practices, is the sole responsibility of the user.</p>	 <p>Bureau of Environmental Services CITY OF PORTLAND, OREGON</p> <p>_____ Chief Engineer</p>	
	<p>STANDARD DRAWING Title</p> <p><b>CONCRETE INLET, TYPE METAL WITH CHANNEL AND GRATE (2.5 FT STEP-OUT)</b></p>	
	<p>Note: All material and workmanship shall be in accordance with the City of Portland Standard Construction Specifications.</p>	<p>Effective Date: 07-31-20</p> <p>Calc. Book No.: N/A</p> <p>Baseline Report Date: N/A</p>