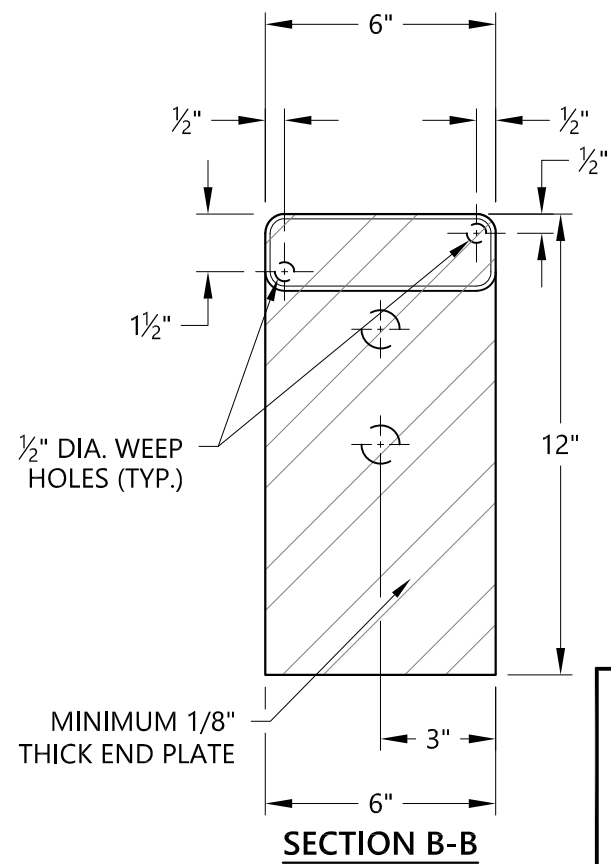
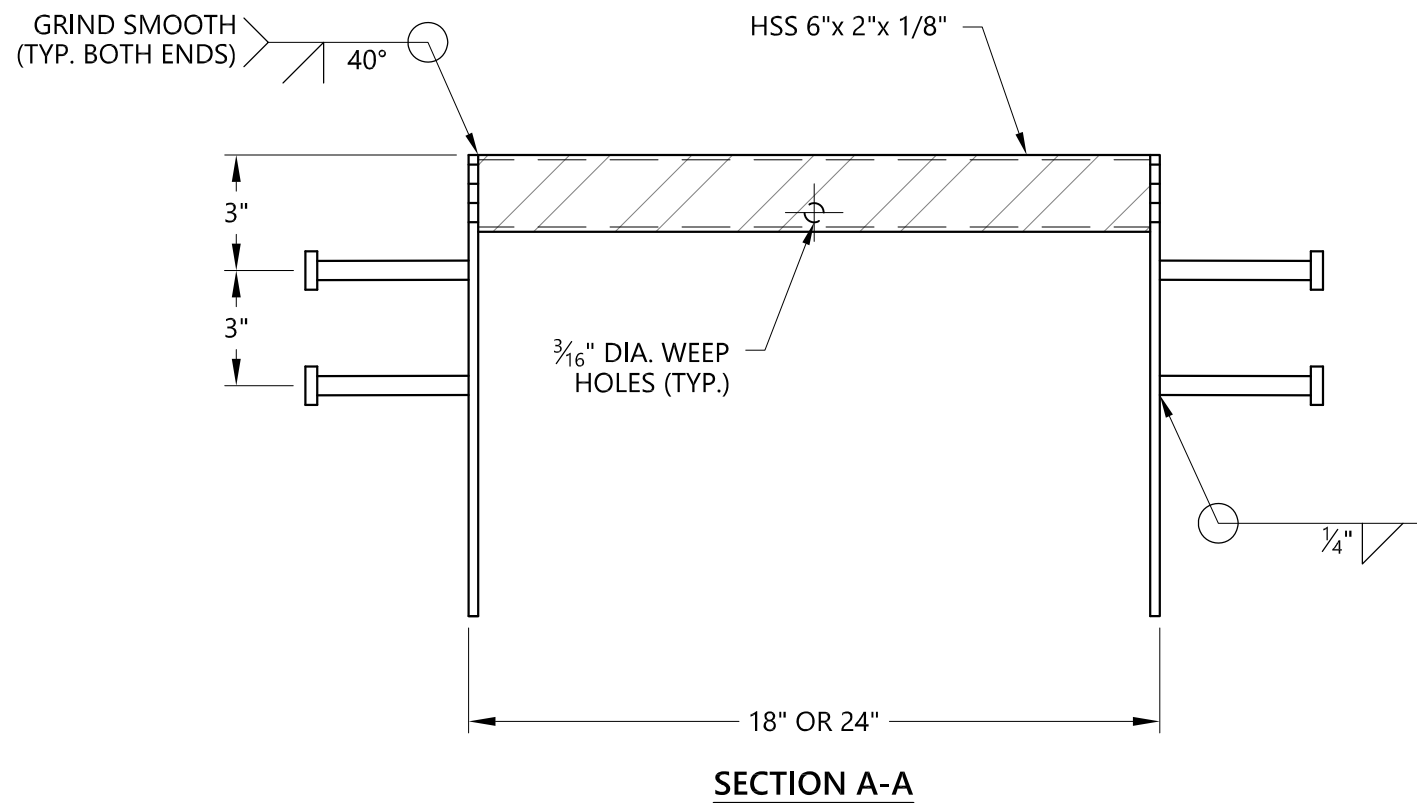
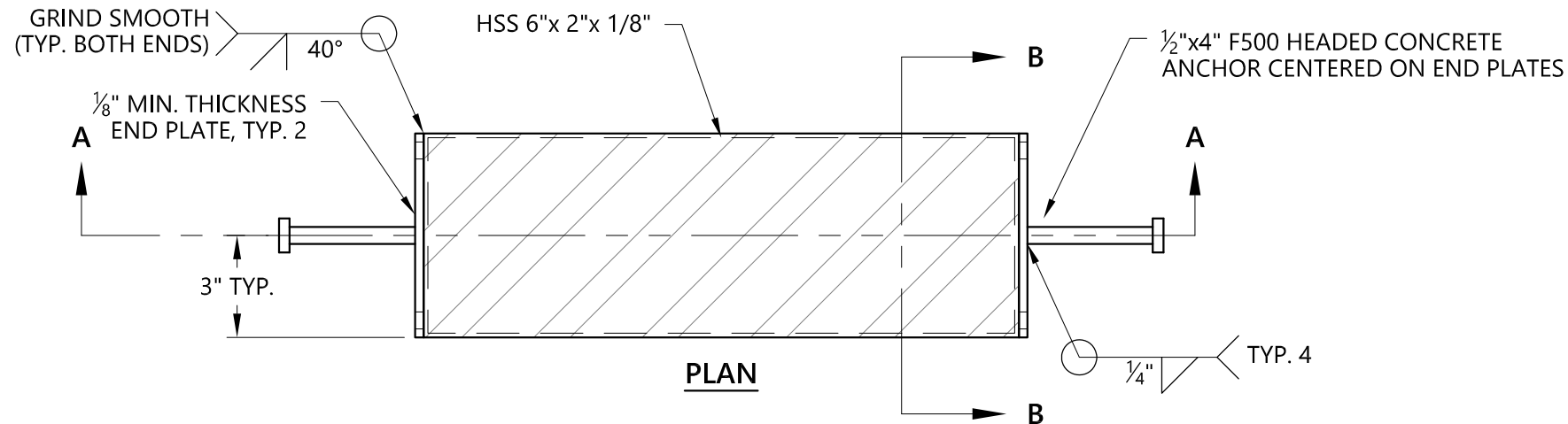


P-302_CONCRETE_INLET_TYPE_METAL_INLET_ASSEMBLY.DWG 8/24/20 7:45 AM DANPE



NOTES:

1. HEADED CONCRETE ANCHORS SHALL MEET THE REQUIREMENTS OF ASTM A-108.
2. HSS 6 X 2 X 1/8 TUBE SHALL MEET THE REQUIREMENTS OF ASTM A-500 GRADE B.
3. END PLATES SHALL MEET THE REQUIREMENTS OF ASTM A-36.
4. ENTIRE ASSEMBLY SHALL BE GALVANIZED IN ACCORDANCE WITH ASTM A-123.

The selection and use of this Standard Drawing, while designed in accordance with generally accepted engineering principles and practices, is the sole responsibility of the user.

Note:
All material and workmanship shall be in accordance with the City of Portland Standard Construction Specifications.



Bureau of Environmental Services
CITY OF PORTLAND, OREGON
William Ryan
Digitally signed by William Ryan
Date: 2020.09.01 14:41:37
-07'00'
Chief Engineer

STANDARD DRAWING Title

**CONCRETE INLETS, TYPE METAL
METAL INLET ASSEMBLY**

Effective Date: 07-31-20

Calc. Book No.: N/A

Baseline Report Date: N/A

Standard Drawing No.

P-302