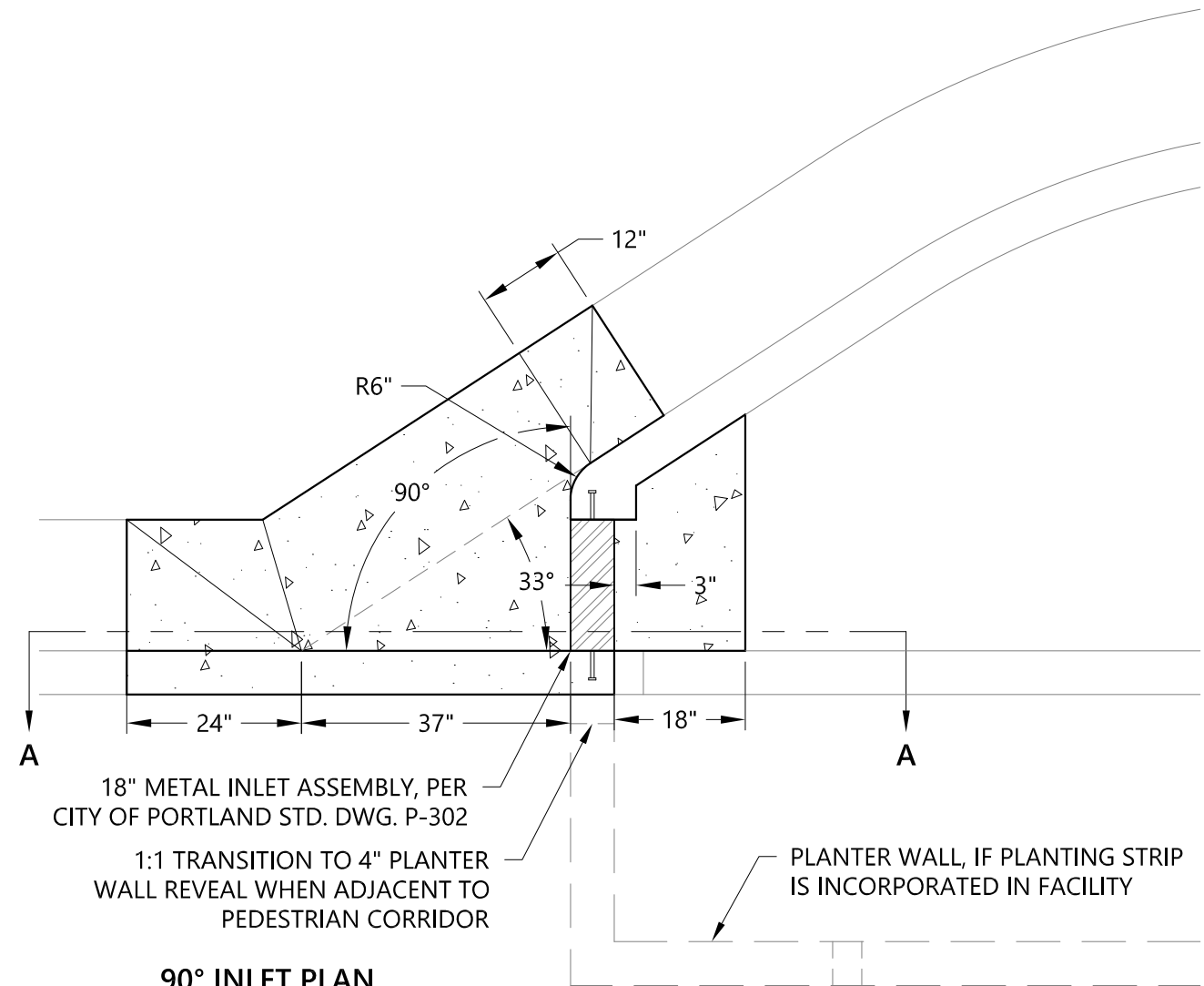


P-301\_CONCRETE\_INLET\_TYPE\_METAL\_(ROTATED).DWG 8/24/20 7:45 AM DANPE

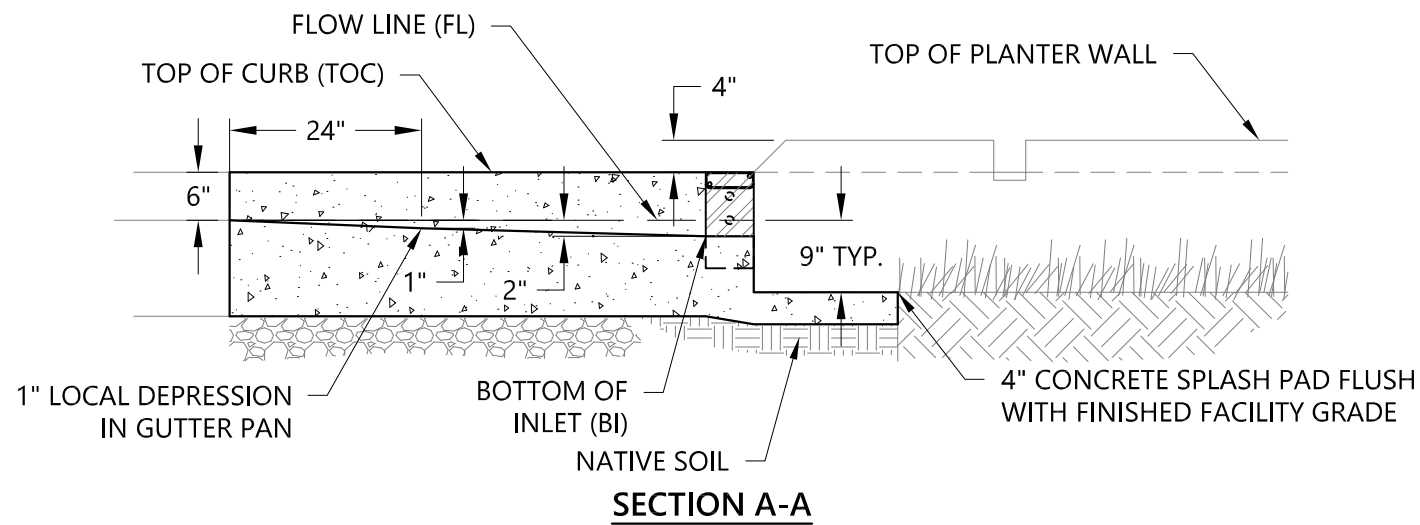


18" METAL INLET ASSEMBLY, PER CITY OF PORTLAND STD. DWG. P-302

1:1 TRANSITION TO 4" PLANTER WALL REVEAL WHEN ADJACENT TO PEDESTRIAN CORRIDOR

PLANTER WALL, IF PLANTING STRIP IS INCORPORATED IN FACILITY


**90° INLET PLAN**  
(6' CURB EXTENSION WITH PLANTER SHOWN)



**SECTION A-A**

**NOTES:**

1. REFER TO CITY OF PORTLAND STANDARD DRAWING P-540 FOR 18" THICKENED CURB AND GUTTER.

<p>The selection and use of this Standard Drawing, while designed in accordance with generally accepted engineering principles and practices, is the sole responsibility of the user.</p>	 <p>Bureau of Environmental Services CITY OF PORTLAND, OREGON <b>William Ryan</b> <small>Digitally signed by William Ryan Date: 2020.09.01 14:41:05 -07'00'</small> Chief Engineer</p>	
	<p>STANDARD DRAWING Title</p> <p><b>CONCRETE INLET, TYPE METAL (ROTATED)</b></p>	
<p>Note: All material and workmanship shall be in accordance with the City of Portland Standard Construction Specifications.</p>	<p>Effective Date: 07-31-20</p>	<p>Standard Drawing No.</p> <p><b>P-301</b></p>
	<p>Calc. Book No.: N/A</p>	
	<p>Baseline Report Date: N/A</p>	