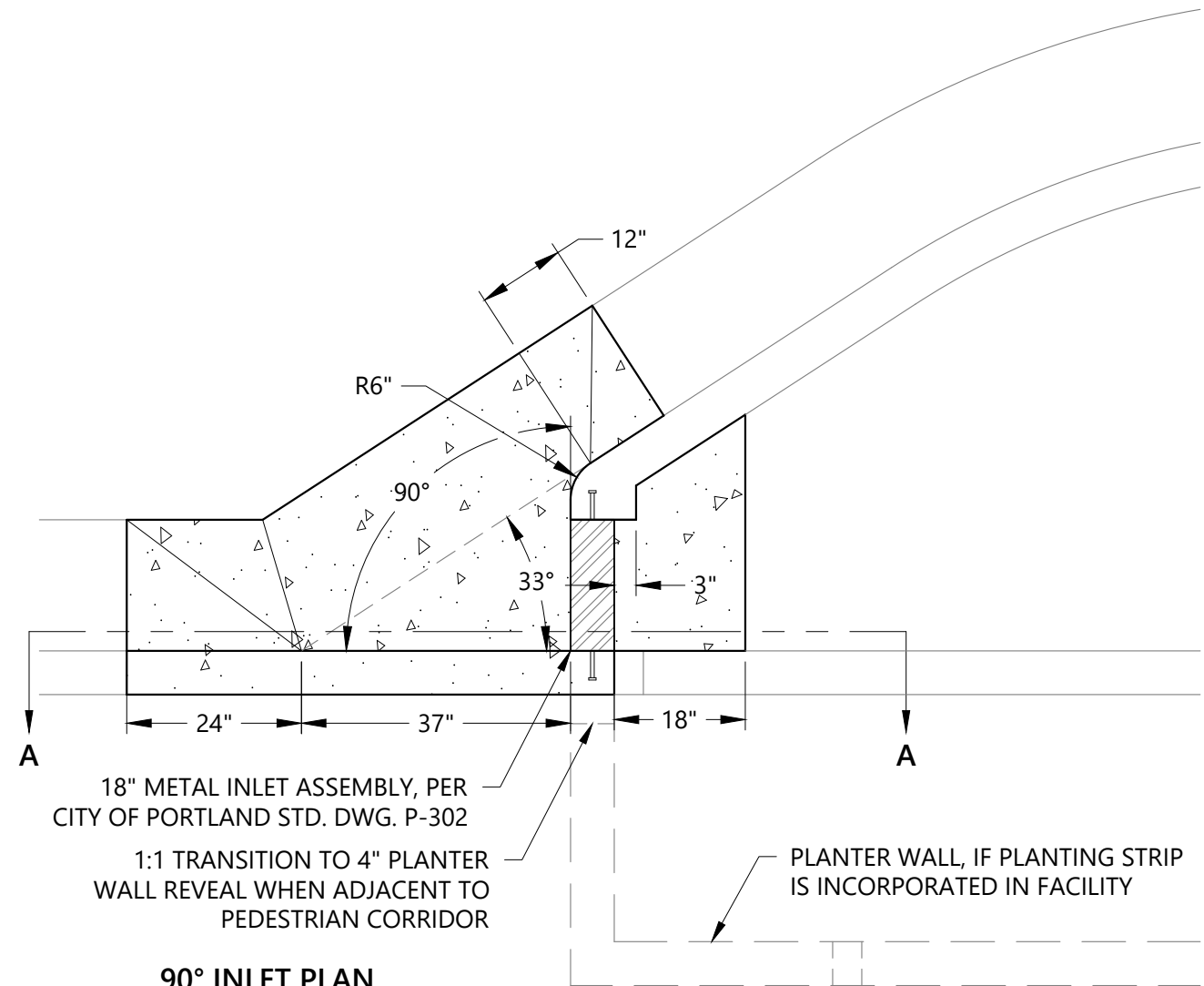
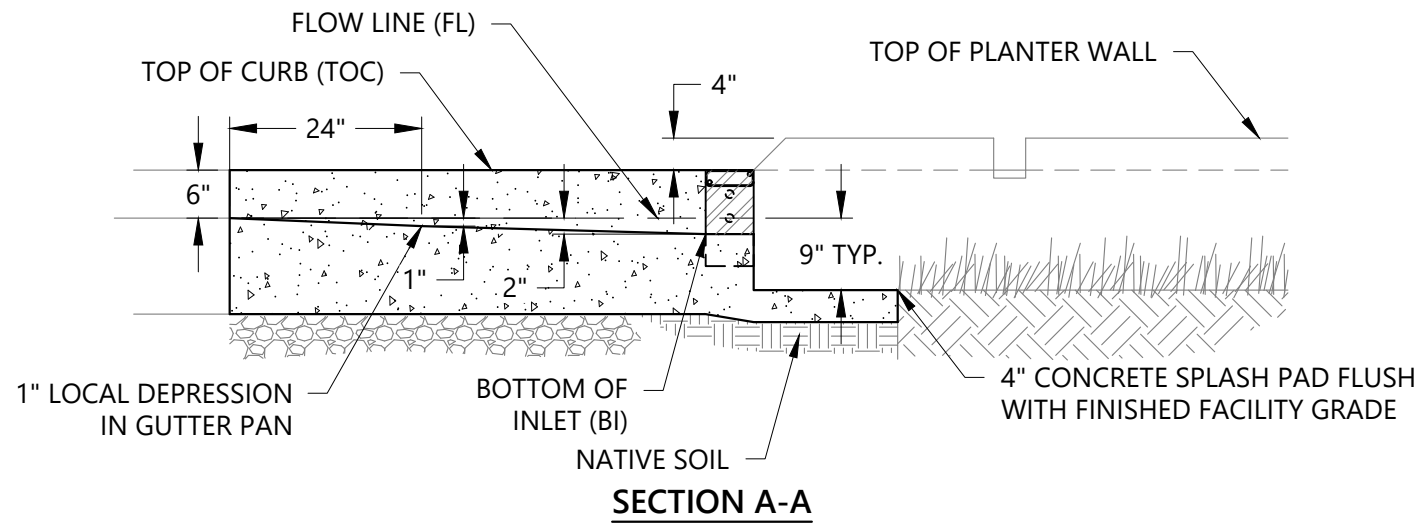


P-301_CONCRETE_INLET_TYPE_METAL_(ROTATED).DWG 7/26/22 12:25 PM DANPE



18" METAL INLET ASSEMBLY, PER CITY OF PORTLAND STD. DWG. P-302
 1:1 TRANSITION TO 4" PLANTER WALL REVEAL WHEN ADJACENT TO PEDESTRIAN CORRIDOR


90° INLET PLAN
 (6' CURB EXTENSION WITH PLANTER SHOWN)



SECTION A-A

NOTES:

1. REFER TO CITY OF PORTLAND STANDARD DRAWING P-540 FOR 18" THICKENED CURB AND GUTTER.
2. PAY AREA INCLUDES ALL CONCRETE ITEMS SHOWN, INCLUDING SPLASH PADS AND METAL INLET ASSEMBLY.

<p>The selection and use of this Standard Drawing, while designed in accordance with generally accepted engineering principles and practices, is the sole responsibility of the user.</p> <p>Note: All material and workmanship shall be in accordance with the City of Portland Standard Construction Specifications.</p>	 Bureau of Environmental Services CITY OF PORTLAND, OREGON _____ Chief Engineer	
	STANDARD DRAWING Title <p style="text-align: center;">CONCRETE INLET, TYPE METAL (ROTATED)</p>	
	Effective Date: 07-31-20 Calc. Book No.: N/A Baseline Report Date: N/A	Standard Drawing No. <p style="text-align: center;">P-301</p>