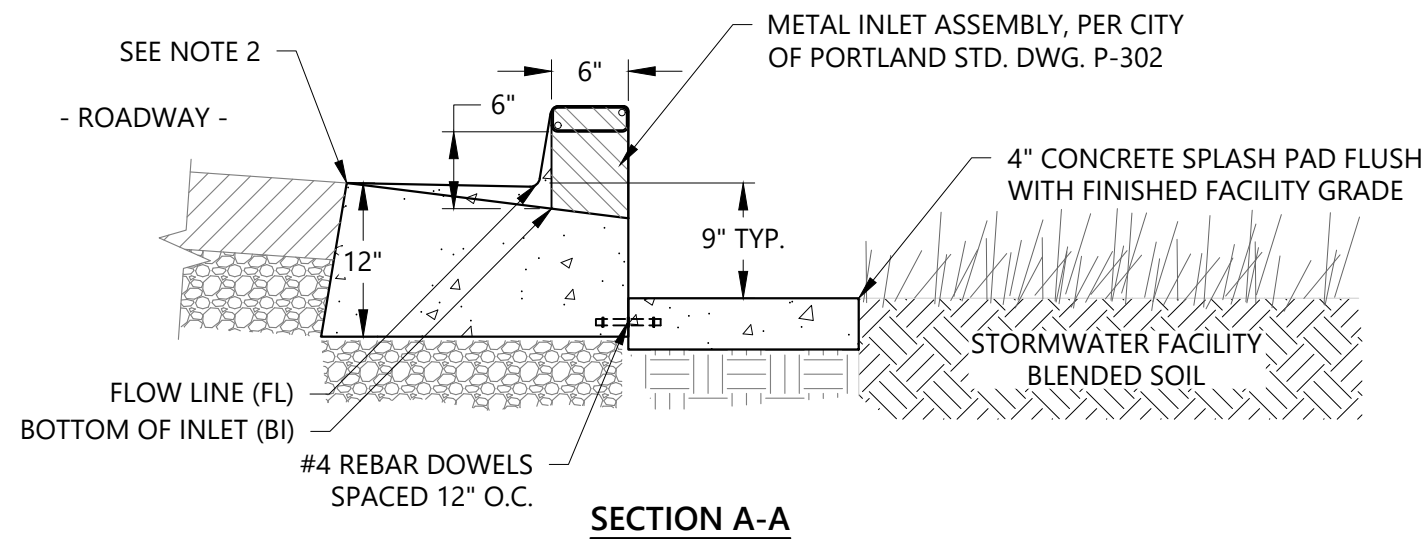
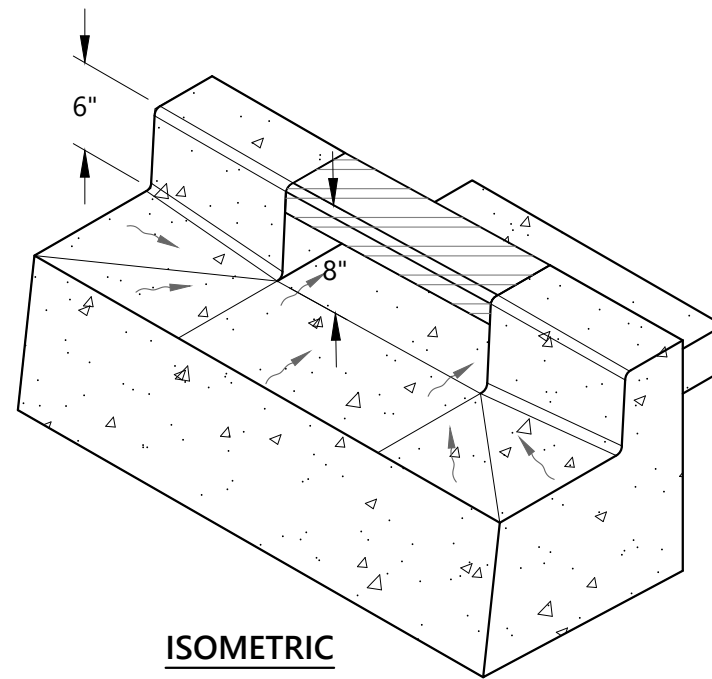
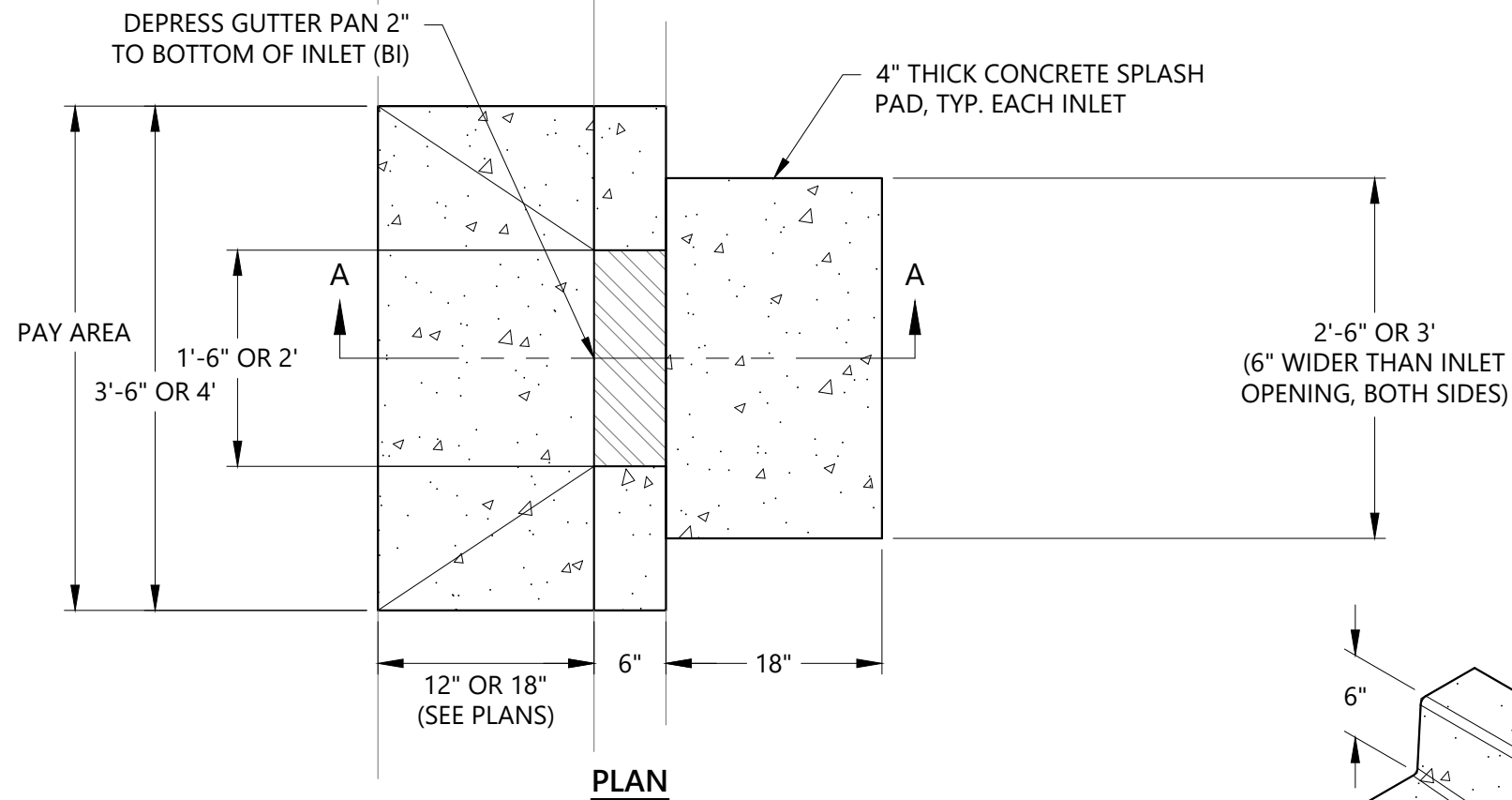


P-300\_CONCRETE\_INLET\_TYPE\_METAL.DWG 7/26/22 11:15 AM DPERDE



**NOTES:**

1. REFER TO CITY OF PORTLAND STANDARD DRAWING P-540 FOR 18\"/>
2. SMOOTH TRANSITION TO ENSURE WATER FLOWS INTO GUTTER.
3. PAY AREA INCLUDES ALL CONCRETE ITEMS SHOWN, INCLUDING SPLASH PADS AND METAL INLET ASSEMBLY.

The selection and use of this Standard Drawing, while designed in accordance with generally accepted engineering principles and practices, is the sole responsibility of the user.

Note:  
All material and workmanship shall be in accordance with the City of Portland Standard Construction Specifications.



Bureau of Environmental Services  
CITY OF PORTLAND, OREGON

Chief Engineer

STANDARD DRAWING Title

**CONCRETE INLET, TYPE METAL**

Effective Date: 07-31-20

Calc. Book No.: N/A

Baseline Report Date: N/A

Standard Drawing No.

**P-300**