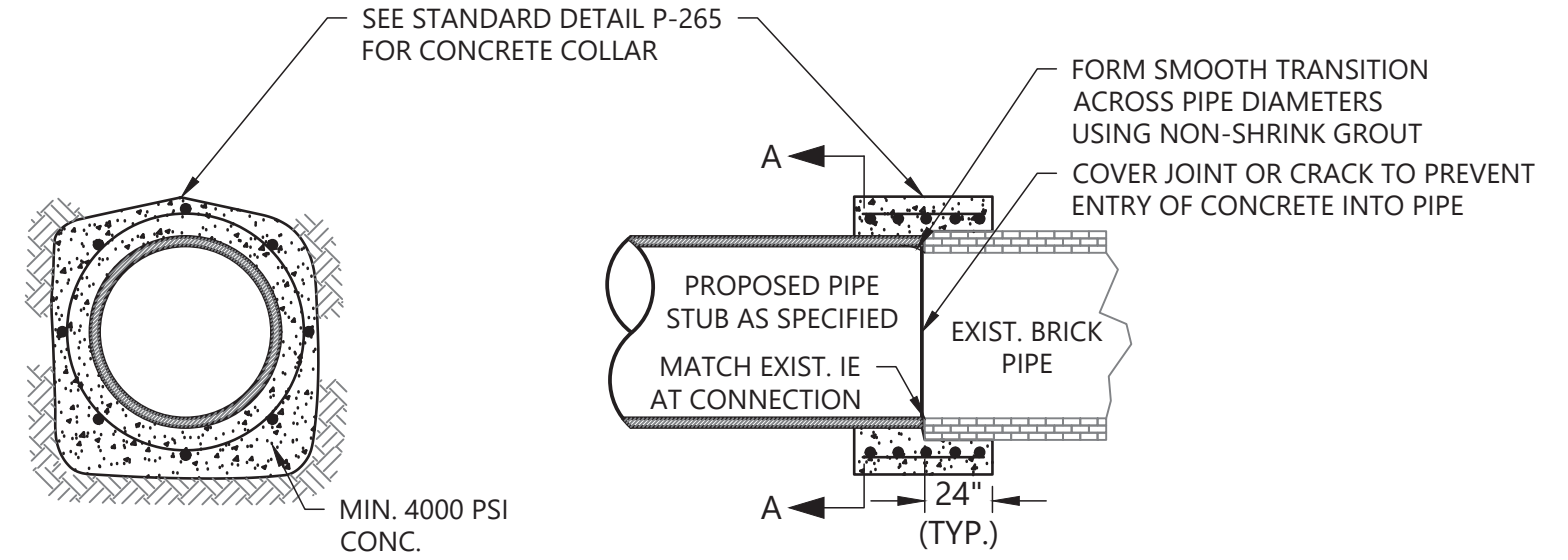


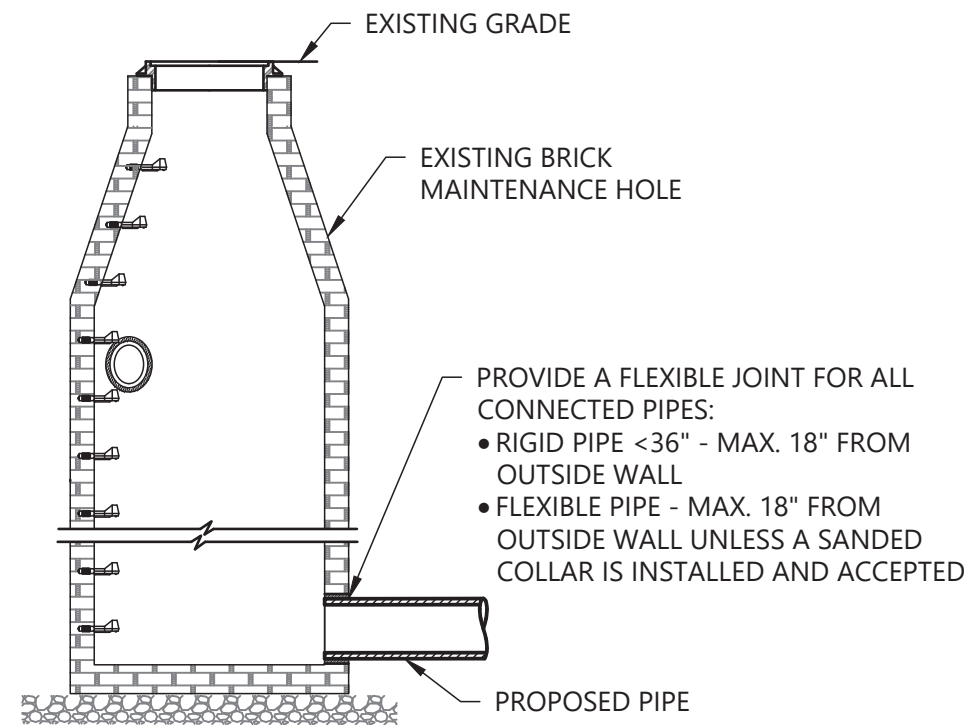
1. BLIND CONNECTION



SECTION A-A

PLAN


2. EXTENSION CONNECTION



3. CONNECTION TO BRICK MAINTENANCE HOLE

NOTES:

- FOR BES UC PERMIT CONNECTIONS, R.O.W. INSPECTOR TO BE ON SITE AT TIME OF WORK TO VISUALLY INSPECT DURING AND AFTER CORE DRILL OR ICS SAW TAP. CONTACT 503-823-7002, OPTION 1 TO SCHEDULE IN ADVANCE.
- PBOT R.O.W. INSPECTION TO BE ON SITE AND VISUALLY INSPECT MAIN AND MAINTENANCE HOLE BEFORE, DURING, AND AFTER CORE DRILL TAP.
- EITHER CORE DRILL OR ICS SAW FOR TAP. DO NOT USE PERCUSSION TOOLS OR HAMMERS.
- FIELD VERIFY ELEVATION AND HORIZONTAL LOCATION. CONFIRM SLOPES AND CORE LOCATION WITH BES OWNER'S REPRESENTATIVE BEFORE BEGINNING WORK.
- DO NOT REPLACE STEPS IN BRICK MAINTENANCE HOLE ONCE REMOVED.
- CONTRACTOR TO VERIFY ALL VOIDS ARE FILLED ON INTERIOR WALLS AFTER CONSTRUCTION BY CCTV OR VISUAL INSPECTION PER OWNER'S DIRECTION.
- INSTALL MARKER BALL.

The selection and use of this Standard Detail, while designed in accordance with generally accepted engineering principles and practices, is the sole responsibility of the user.	 Bureau of Environmental Services CITY OF PORTLAND, OREGON Digitally signed by Paul Suto Date: 2023.09.22 13:08:48 -07'00' Chief Engineer	
	Standard Detail Title CONNECTIONS TO BRICK SEWER	
Note: All material and workmanship shall be in accordance with the City of Portland Standard Construction Specifications.	Effective Date: 09/15/2023	Standard Detail No. P-266
	Calc. Book No.: N/A	
	Baseline Report Date: N/A	