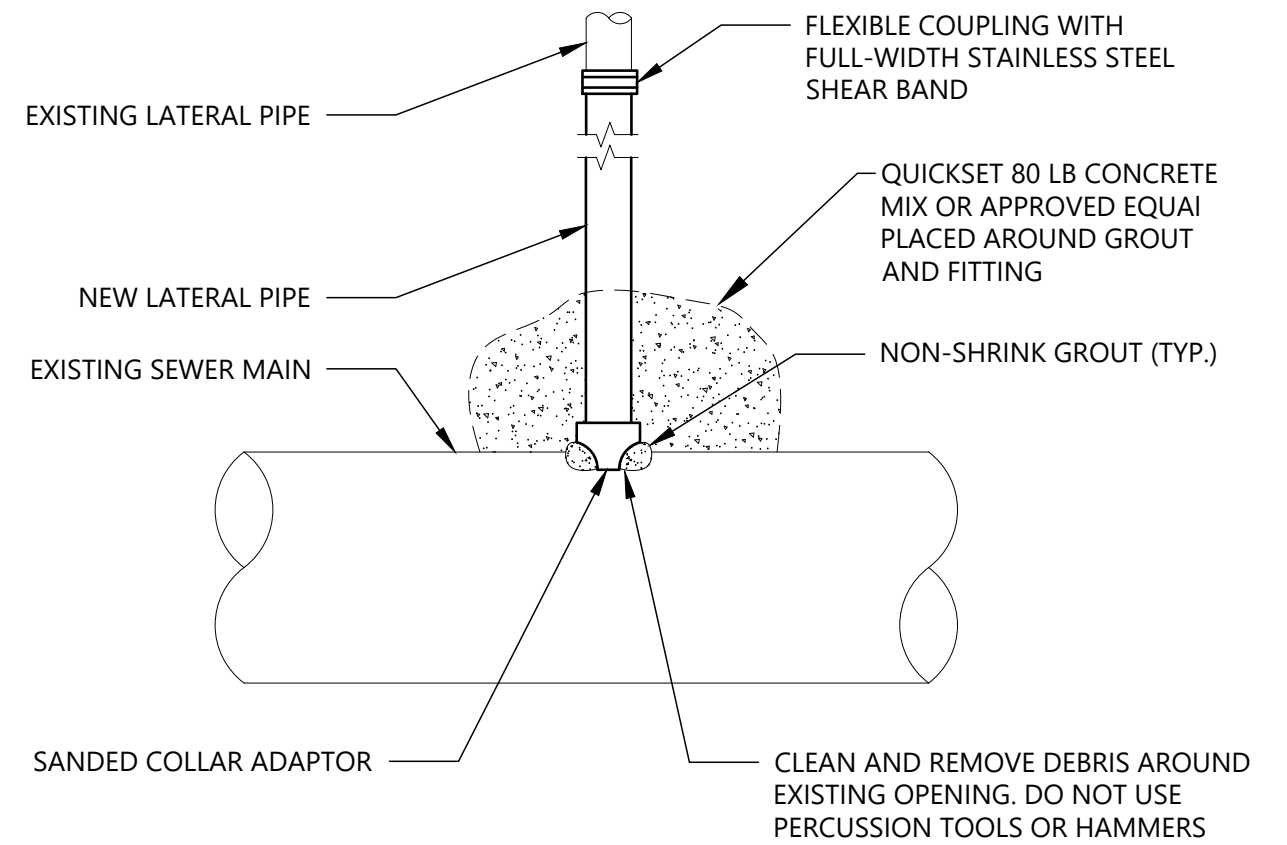



1. CONCRETE COLLAR FOR SEWER MAINS
18-INCHES AND LARGER



NOTES:

1. CONFIRM EXISTING SEWER IS COMPETENT PRIOR TO ENLARGING OPENING.

2. SANDED COLLAR LATERAL REPAIR FOR
SEWER MAINS 30-INCHES AND LARGER

| | | |
|--|--|--|
| <p>The selection and use of this Standard Detail, while designed in accordance with generally accepted engineering principles and practices, is the sole responsibility of the user.</p> |  <p>Bureau of Environmental Services CITY OF PORTLAND, OREGON</p> <p>_____ Chief Engineer</p> | |
| | <p>Standard Detail Title</p> <p>CONCRETE COLLARS</p> | |
| <p>Note: All material and workmanship shall be in accordance with the City of Portland Standard Construction Specifications.</p> | <p>Effective Date: 04-01-21</p> | <p>Standard Detail No.</p> <p>P-265</p> |
| | <p>Calc. Book No.: N/A</p> | |
| | <p>Baseline Report Date: N/A</p> | |