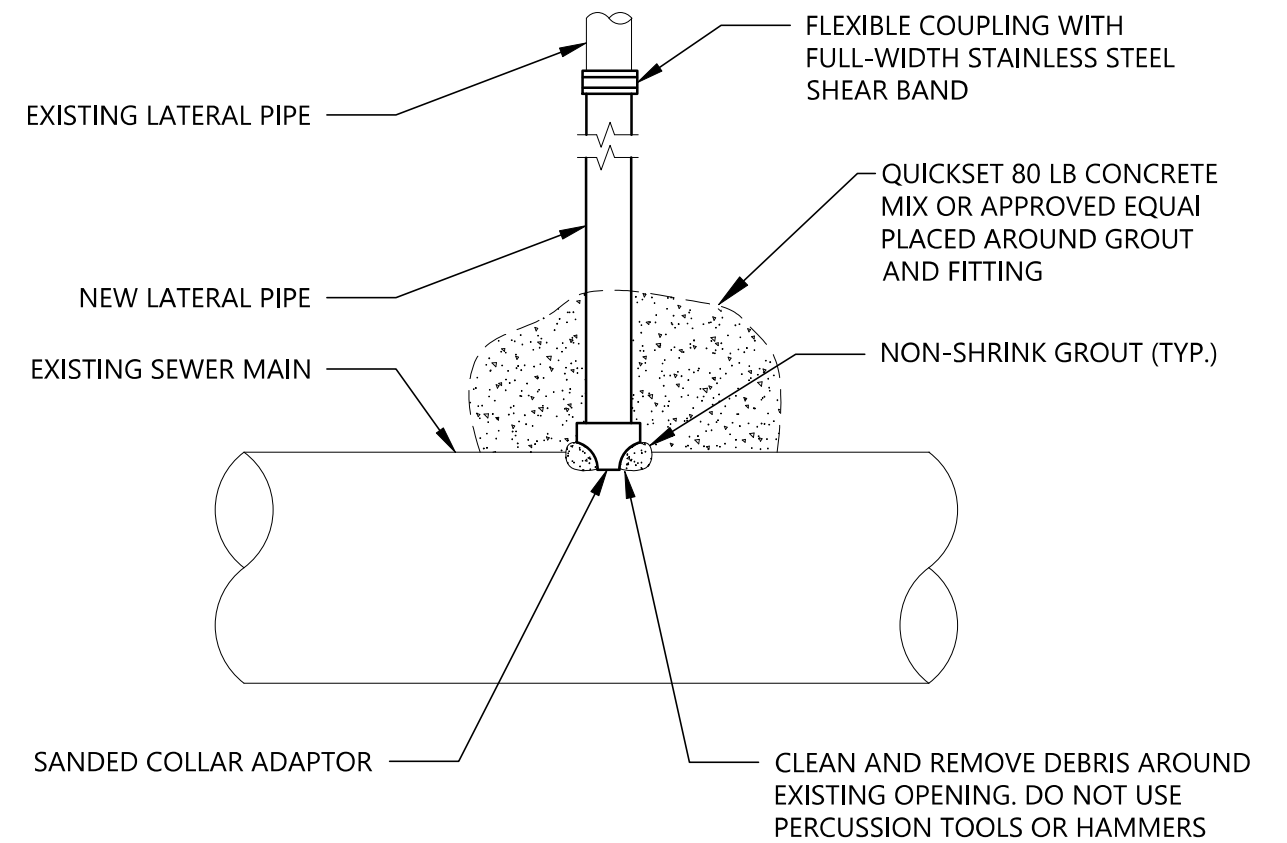



1. CONCRETE COLLAR FOR SEWER MAINS
18-INCHES AND LARGER



NOTES:

1. CONFIRM EXISTING SEWER IS COMPETENT PRIOR TO ENLARGING OPENING.

2. SANDED COLLAR LATERAL REPAIR FOR
SEWER MAINS 30-INCHES AND LARGER

<p>The selection and use of this Standard Detail, while designed in accordance with generally accepted engineering principles and practices, is the sole responsibility of the user.</p>	 <p>Bureau of Environmental Services CITY OF PORTLAND, OREGON Kerry Rubin <small>Digitally signed by Kerry Rubin Date: 2021.04.12 08:01:15 -07'00'</small> Chief Engineer</p>	
	<p>Standard Detail Title</p> <p style="text-align: center;">CONCRETE COLLARS</p>	
<p>Note: All material and workmanship shall be in accordance with the City of Portland Standard Construction Specifications.</p>	<p>Effective Date: 04-01-21</p>	<p>Standard Detail No.</p> <p style="text-align: center;">P-265</p>
	<p>Calc. Book No.: N/A</p>	
	<p>Baseline Report Date: N/A</p>	