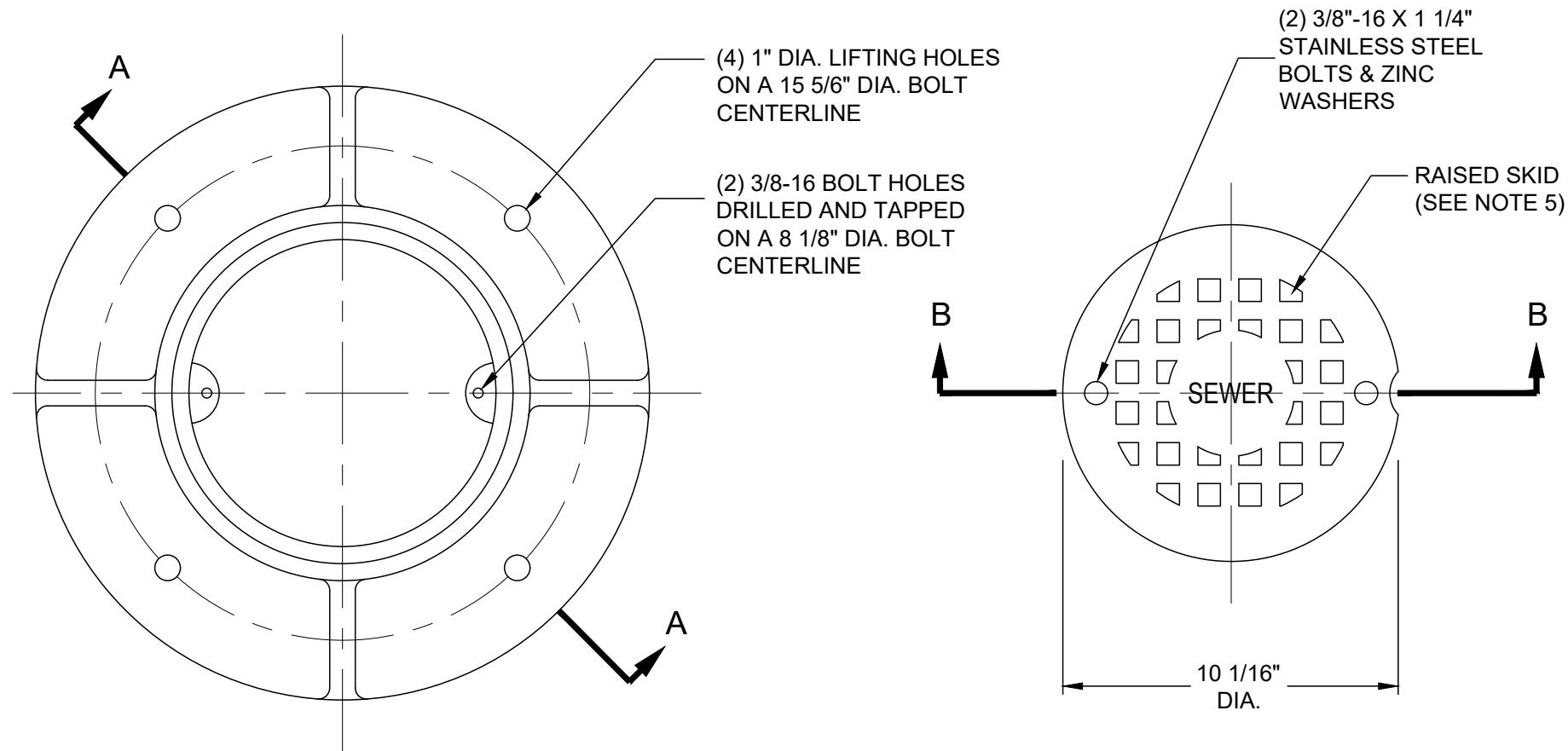
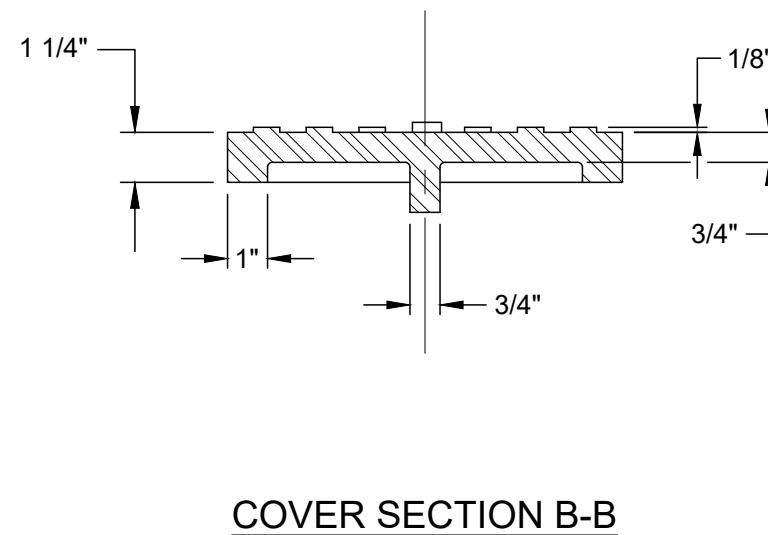
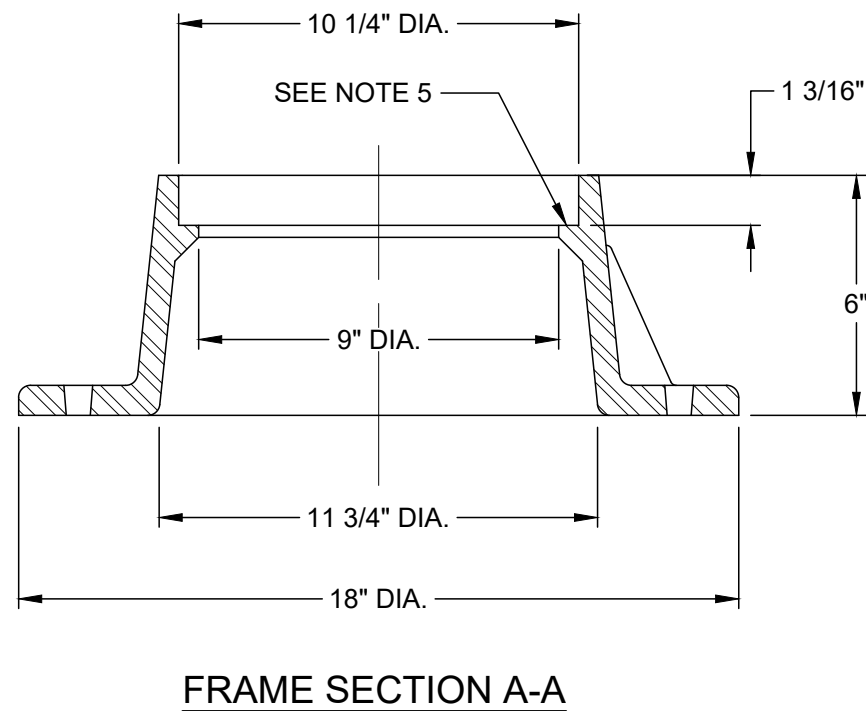



P-260\_SANITARY\_CLEANOUT\_FRAME\_COVER\_NEW.DWG 2/23/21 3:06 PM DANPE



**NOTES:**

1. EJIW PRODUCT #00367103 OR APPROVED EQUAL.
2. CASTING SHALL MEET HS-20 LOAD REQUIREMENTS.
3. COVER MUST BE LOCKING AND SHALL HAVE THE WORD "SEWER" CLEARLY SHOWN.
4. SUBSTITUTIONS SHALL HAVE DIMENSIONS EQUAL TO THOSE SHOWN.
5. ALL COVERS IN PEDESTRIAN ZONES SHALL HAVE A NON-SLIP SURFACE.
6. FOR SANITARY CLEANOUT FOUNDATION SEE STANDARD DETAIL P-259.



<p>The selection and use of this Standard Detail, while designed in accordance with generally accepted engineering principles and practices, is the sole responsibility of the user.</p>	 <p>Bureau of Environmental Services CITY OF PORTLAND, OREGON</p> <p><i>[Signature]</i> Chief Engineer</p>	
	<p>Standard Detail Title</p> <p><b>Sanitary Cleanout Frame and Cover</b></p>	
<p>Note: All material and workmanship shall be in accordance with the City of Portland Standard Construction Specifications.</p>	<p>Effective Date: 02-23-21</p>	<p>Standard Detail No.</p> <p><b>P-260</b></p>
	<p>Calc. Book No.: N/A</p>	
	<p>Baseline Report Date: N/A</p>	