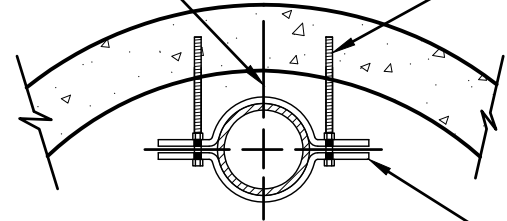


3" MAX. CLEARANCE



**SECTION A-A
CLAMP DETAIL**

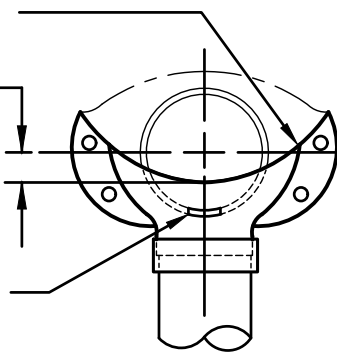
2-304 SS 1/2" ANCHOR BOLTS PER CLAMP EMBEDDED 1-1/2" INTO MAINTENANCE HOLE WALL, BOLT LENGTH VARIES

STAINLESS STEEL PIPE CLAMP

SILICONE SEAL BOWL TO MAINTENANCE HOLE WALL. SECURE WITH 3/8" O.D. ANCHOR BOLTS

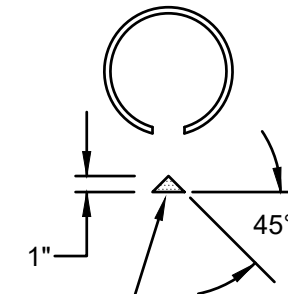
1/4 OF PIPE DIAMETER

NOTCH INCOMING STUB SEE "V" NOTCH DETAIL



**DROP BOWL W/ HOOD
DETAIL**

CUT A "V" NOTCH 2" (W) x 1" (D) AT THE INVERT OF THE INCOMING PIPE.



**"V" NOTCH
DETAIL**

CONSTRUCT PIPE WITH WATERTIGHT SEAL AND CONNECTION. PROVIDE A SANDED COLLAR FOR PVC & HDPE.

STUB PIPE 2" INTO MAINTENANCE HOLE.

A HOOD SHALL BE USED WHEN INCOMING SEWER LINE IS AT S=0.03 OR GREATER.

DROP BOWL (SEE TABLE).

FERNCO ADAPTOR, OR EQUAL.

18" MAX. TO FIRST FLEXIBLE JOINT (RIGID PIPE ONLY)

A

A

MINIMUM DROP
3 FEET

MAINTENANCE HOLE WALL

GLUE FITTING

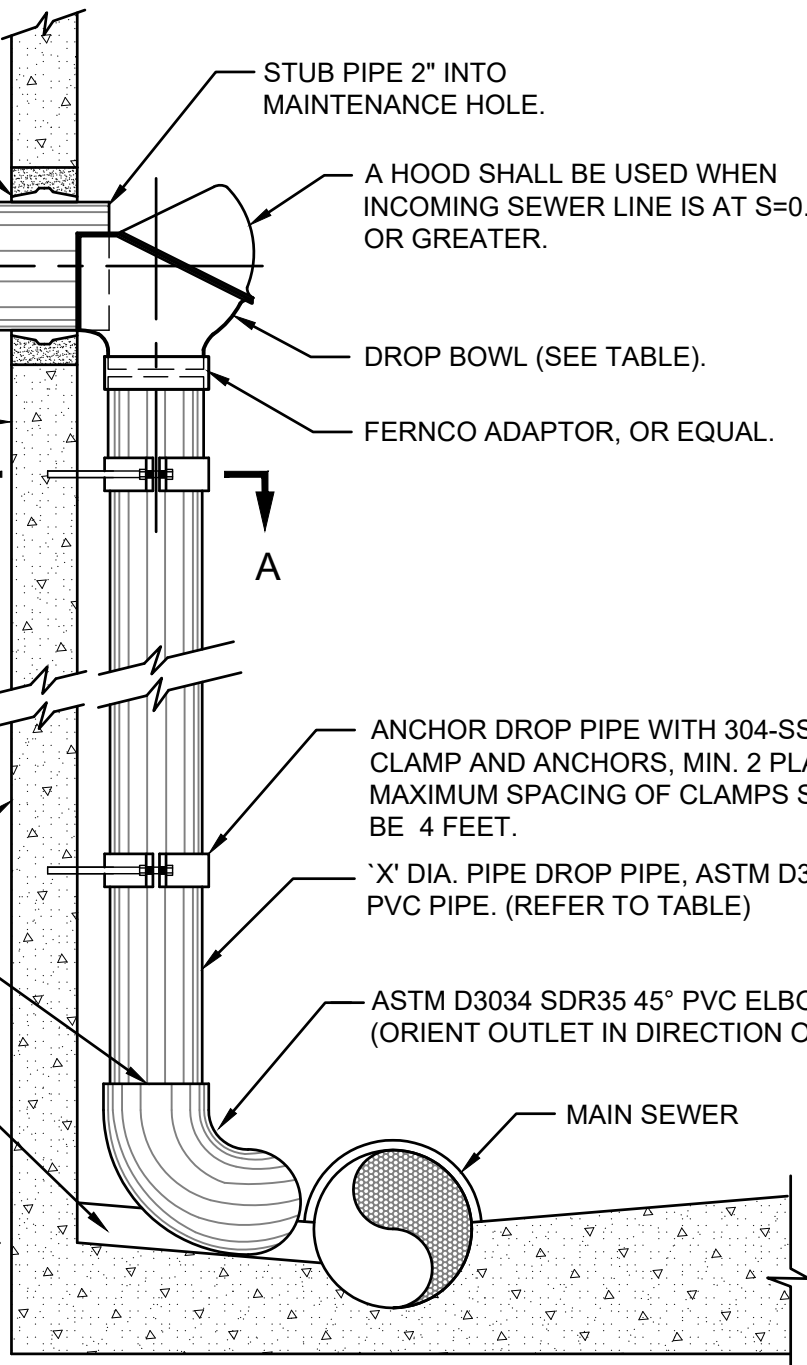
CHANNEL BASE

ANCHOR DROP PIPE WITH 304-SS PIPE CLAMP AND ANCHORS, MIN. 2 PLACES. MAXIMUM SPACING OF CLAMPS SHALL BE 4 FEET.

'X' DIA. PIPE DROP PIPE, ASTM D3034 SDR35 PVC PIPE. (REFER TO TABLE)

ASTM D3034 SDR35 45° PVC ELBOW. (ORIENT OUTLET IN DIRECTION OF FLOW)

MAIN SEWER




INCOMING SEWER SIZE	DROP PIPE SIZE 'X'	DROP BOWL MODEL
8" DIA.	6" DIA.	A-6
10" DIA.	8" DIA.	B-8
12" DIA.	10" DIA.	B-10

DROP BOWL MODEL TABLE

ALL INSIDE DROP CONNECTIONS SHALL USE THE DROP BOWL AS PRODUCED BY: RELINER-DURAN, INC. OR EQUAL.

P-253_PIPED_INSIDE_DROP_MH.DWG 3/21/23 9:27 AM DPERDE

<p>The selection and use of this Standard Detail, while designed in accordance with generally accepted engineering principles and practices, is the sole responsibility of the user.</p>	 <p>Bureau of Environmental Services CITY OF PORTLAND, OREGON</p> <p>Chief Engineer</p>
	<p>Standard Detail Title</p> <p>Piped Inside Drop Connection with Drop Bowl</p>
<p>Note: All material and workmanship shall be in accordance with the City of Portland Standard Construction Specifications.</p>	<p>Effective Date: 04-01-23</p> <p>Calc. Book No.: N/A</p> <p>Baseline Report Date: N/A</p>
<p>Standard Detail No.</p> <p>P-253</p>	