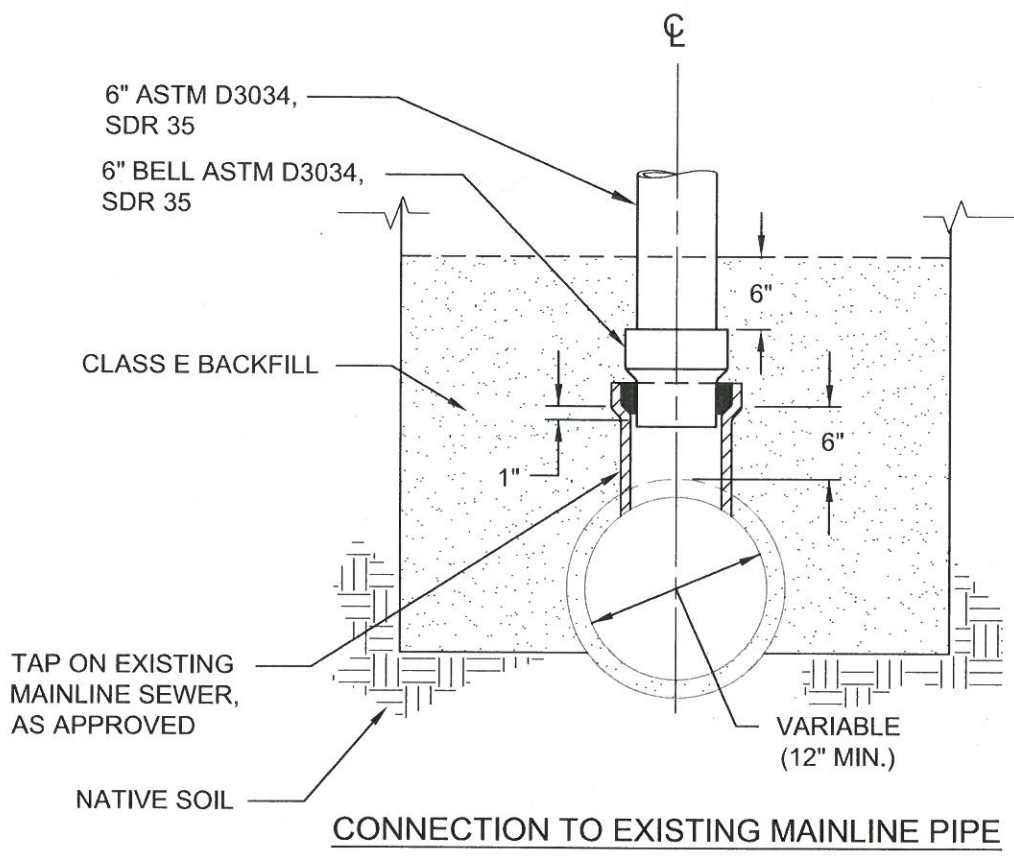
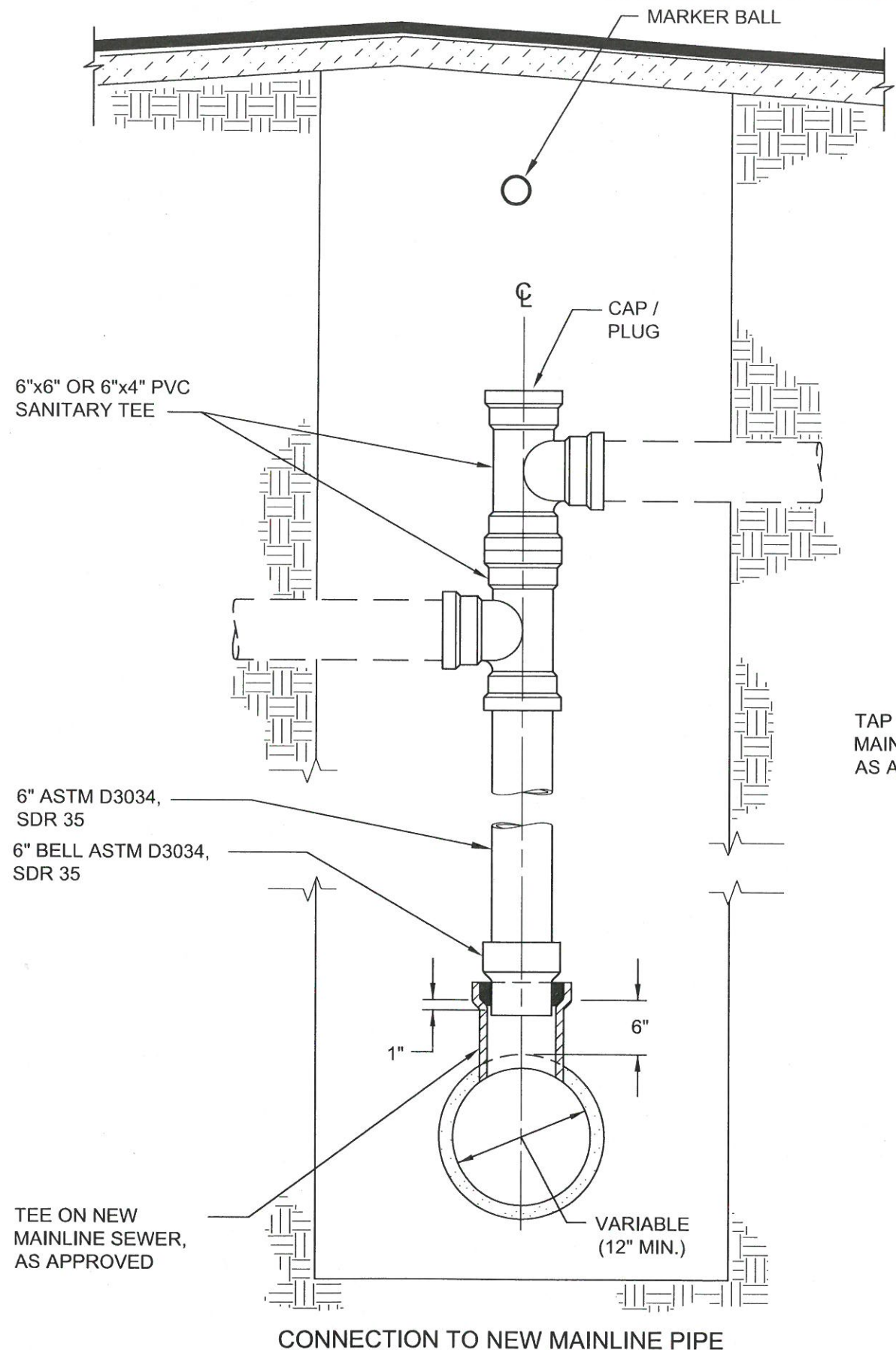


P-250_PVC_DEEP_CONN_RISER.DWG 12/19/16 3:04 PM DPERDE



NOTES:

1. USE ONLY WHEN SPECIFIED OR DIRECTED.
2. SEWER RISER PIPE MUST BE SUPPORTED IN A PLUMB MANNER UNTIL BACKFILL HAS BEEN PLACED AND COMPACTED.
3. WHEN CORING EXISTING MAINLINE PIPE, INSTALL CLASS E CLSM BACKFILL FROM BOTTOM OF EXCAVATION TO 6" ABOVE THE BELL, AS SHOWN.
4. BACKFILL TRENCH WITH FLEXIBLE PIPE BEDDING MATERIAL EXTENDING 2 FEET MINIMUM EACH WAY FROM RISER ALONG MAINLINE TRENCH.
5. THE NUMBER OF SANITARY TEES VARIES DEPENDING ON REQUIREMENTS.
6. PVC DEEP CONNECTION RISER ASSEMBLY INCLUDES RISER PIPE AND ALL FITTINGS SHOWN.
7. INSTALL MARKER BALL AS DIRECTED.
8. IF MAINLINE PIPE IS LESS THAN THE 12" MIN., THEN USE SHOP FABRICATED TEE AS APPROVED.
9. DEPENDING ON EXISTING MAINLINE PIPE CONDITION, SPOT REPAIR MAY BE REQUIRED.

<p>The selection and use of this Standard Detail, while designed in accordance with generally accepted engineering principles and practices, is the sole responsibility of the user.</p>	<p>Bureau of Environmental Services CITY OF PORTLAND, OREGON</p> <p><i>Walter Ryan</i> Chief Engineer</p>	
	<p>Standard Detail Title</p> <p style="text-align: center;">PVC Deep Connection Riser</p>	
<p>Note: All material and workmanship shall be in accordance with the City of Portland Standard Construction Specifications.</p>	<p>Effective Date: 07-12-16</p>	<p>Standard Detail No.</p> <p style="text-align: center;">P-250</p>
	<p>Calc. Book No.: N/A</p>	
	<p>Baseline Report Date: N/A</p>	