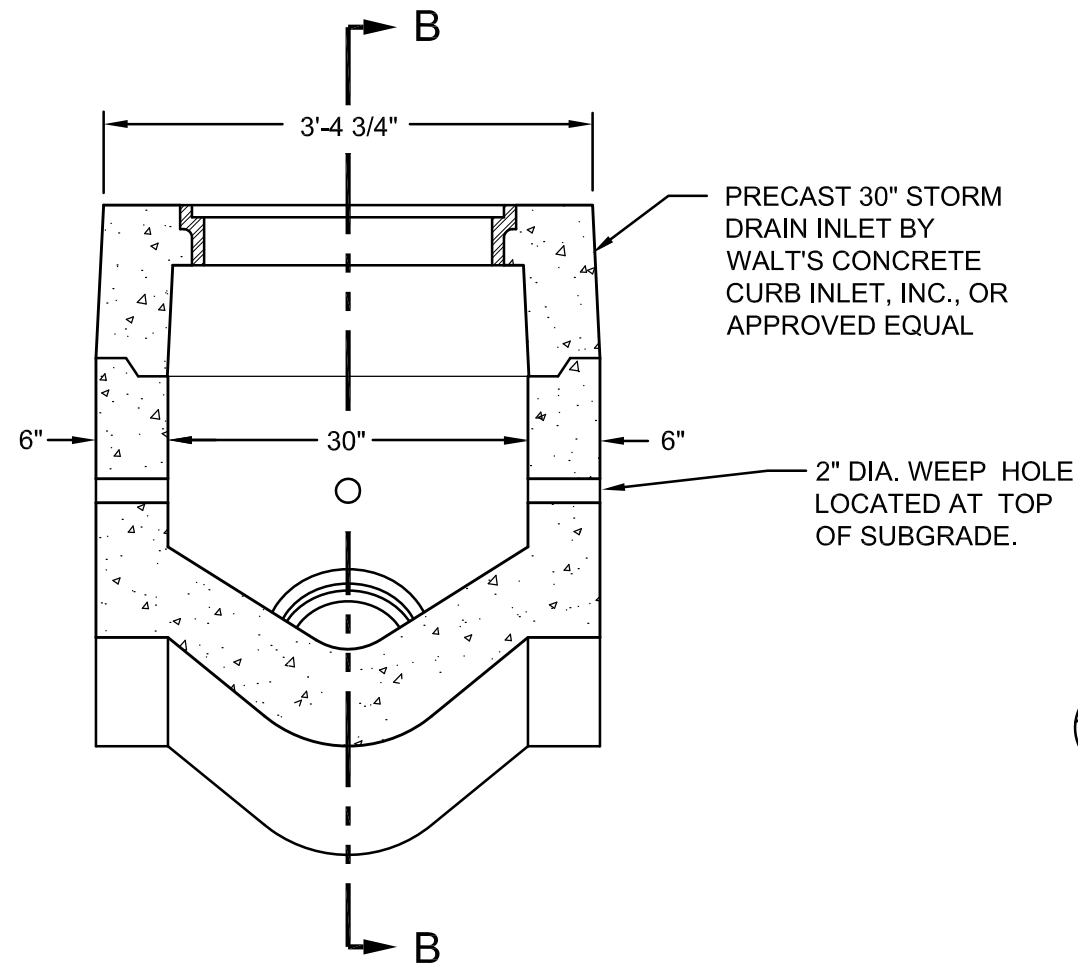
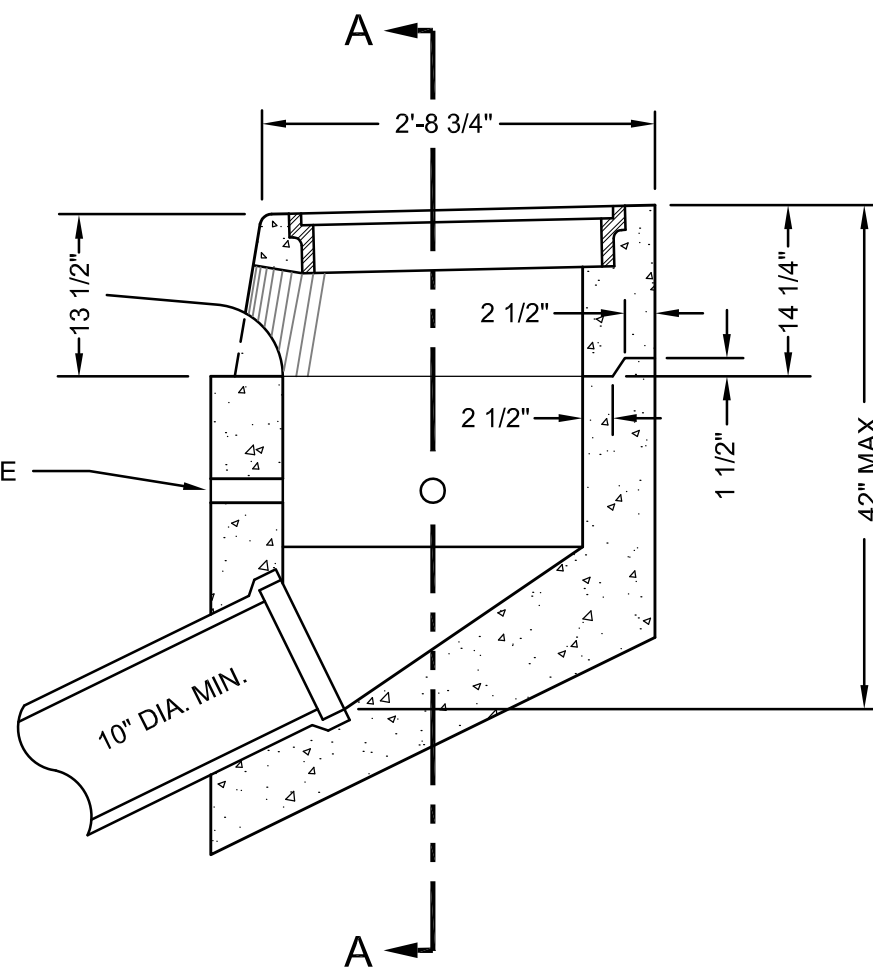


P-206\_CURB\_INLET.DWG 8/20/20 2:26 PM RICKS



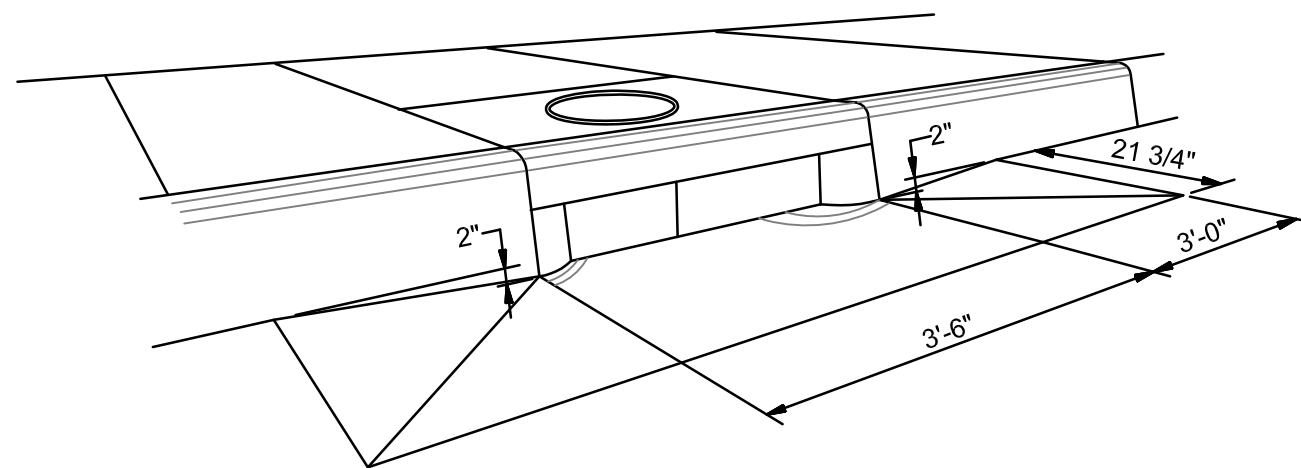
**SECTION A-A**




**SECTION B-B**

**NOTE:**

1. MAINTENANCE HOLE RIMS AND COVERS AS MANUFACTURED BY HERN IRON WORKS, COEUR D'ALENE, IDAHO. COVER PATTERN NO. 2312, RIM PATTERN NO. 2311 OR APPROVED EQUAL.
2. CONCRETE TO BE COMMERCIAL GRADE.



<p>The selection and use of this Standard Detail, while designed in accordance with generally accepted engineering principles and practices, is the sole responsibility of the user.</p>	 <p>Bureau of Environmental Services CITY OF PORTLAND, OREGON <b>William Ryan</b> <small>Digitally signed by William Ryan Date: 2020.09.01 14:36:46 -07'00'</small> Chief Engineer</p>	
	<p>Standard Detail Title</p> <p style="text-align: center;"><b>Curb Inlet</b></p>	
<p>Note: All material and workmanship shall be in accordance with the City of Portland Standard Construction Specifications.</p>	<p>Effective Date: 01-01-09</p>	<p>Standard Detail No.</p> <p style="text-align: center;"><b>P-206</b></p>
	<p>Calc. Book No.: N/A</p>	
	<p>Baseline Report Date: N/A</p>	