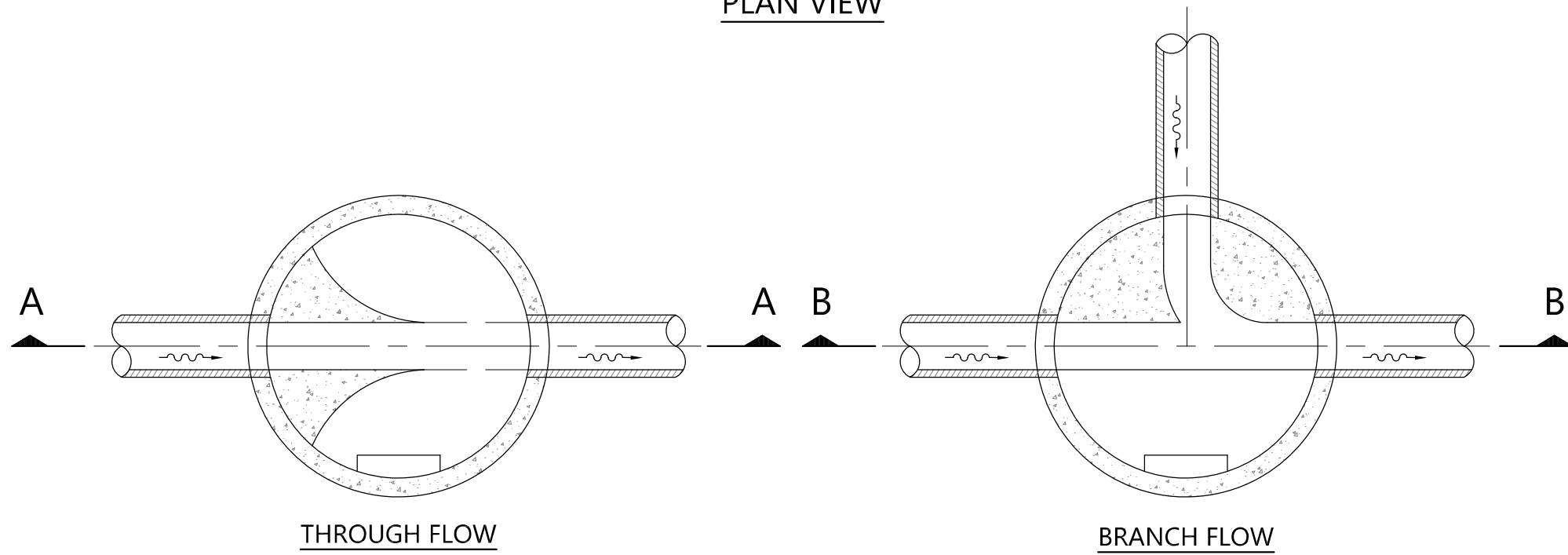


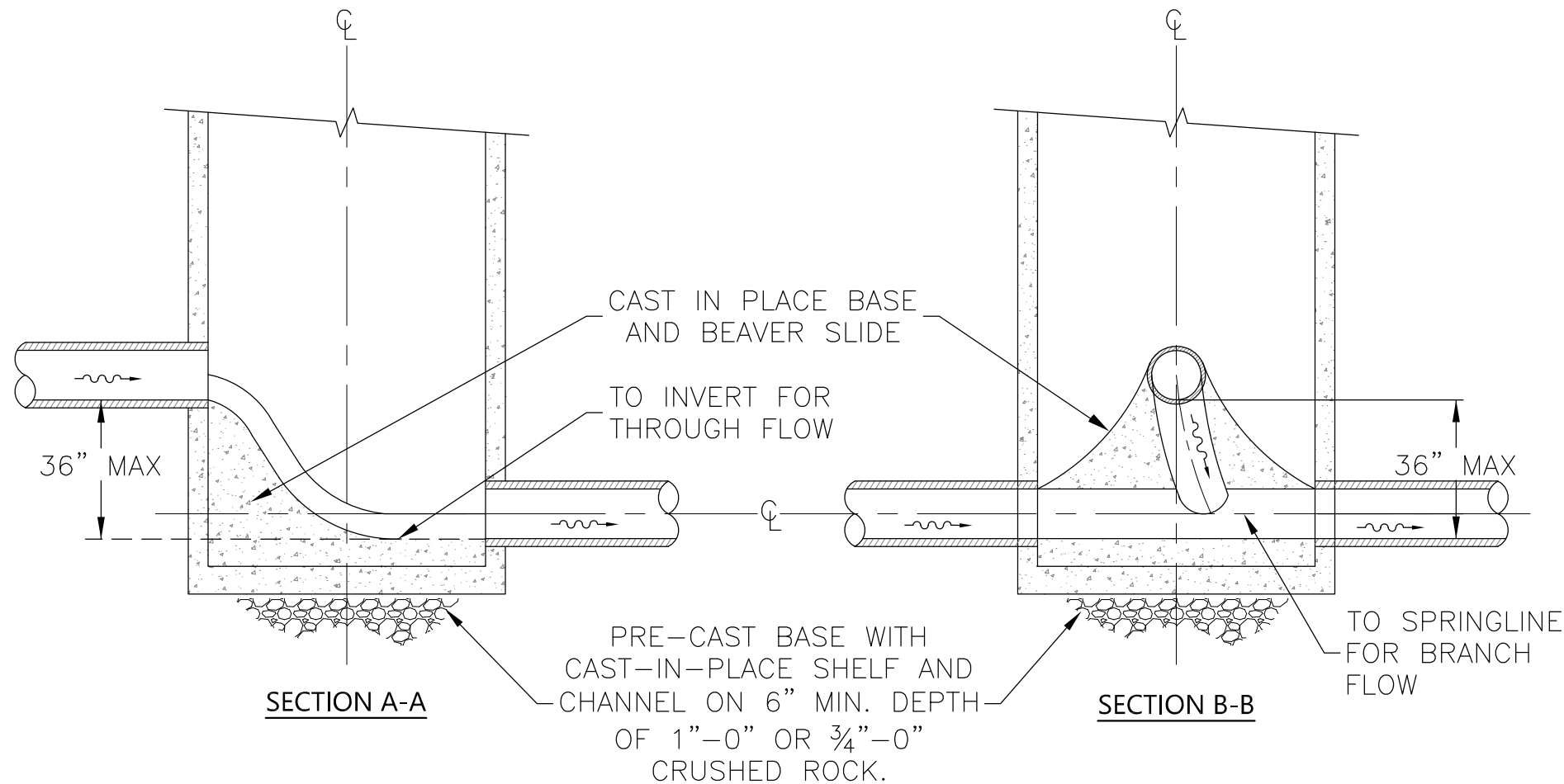
PLAN VIEW



THROUGH FLOW

BRANCH FLOW

SECTION VIEW



SECTION A-A

SECTION B-B

PRE-CAST BASE WITH  
CAST-IN-PLACE SHELF AND  
CHANNEL ON 6" MIN. DEPTH  
OF 1"-0" OR 3/4"-0"  
CRUSHED ROCK.

NOTES:

1. BEAVER SLIDES ARE TO BE USED ONLY WHEN DIRECTED BY OWNER'S REPRESENTATIVE.
2. 36-INCH MAX HEIGHT OR DROP, OR AS APPROVED BY OWNER'S REPRESENTATIVE.
3. CONCRETE SHALL CONFORM TO SPECIFICATION 00440, MINIMUM STRENGTH OF 3,000 PSI.
4. PREFER TO STANDARD DRAWING P-150 FOR ADDITIONAL REQUIREMENTS.

P-183\_BEAVER\_SLIDE\_MANHOLE.DWG 8/20/20 2:20 PM DANPE

The selection and use of this Standard Detail, while designed in accordance with generally accepted engineering principles and practices, is the sole responsibility of the user.



Bureau of Environmental Services  
CITY OF PORTLAND, OREGON

William Ryan  
Digitally signed by William Ryan  
Date: 2020.09.01 14:36:14  
-07'00'

Chief Engineer

Standard Detail Title

Maintenance Hole  
with Beaver Slide

Note:  
All material and workmanship shall be in accordance with the City of Portland Standard Construction Specifications.

Effective Date: 10-29-18

Calc. Book No.: N/A

Baseline Report Date: N/A

Standard Detail No.

**P-183**