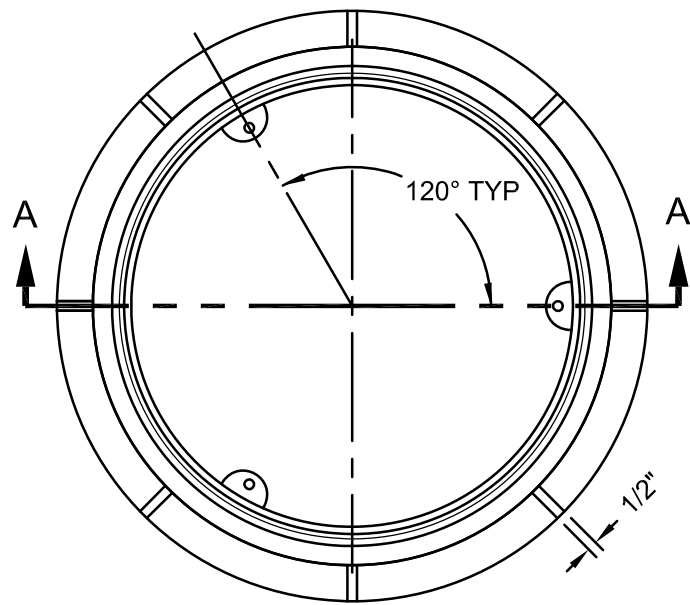
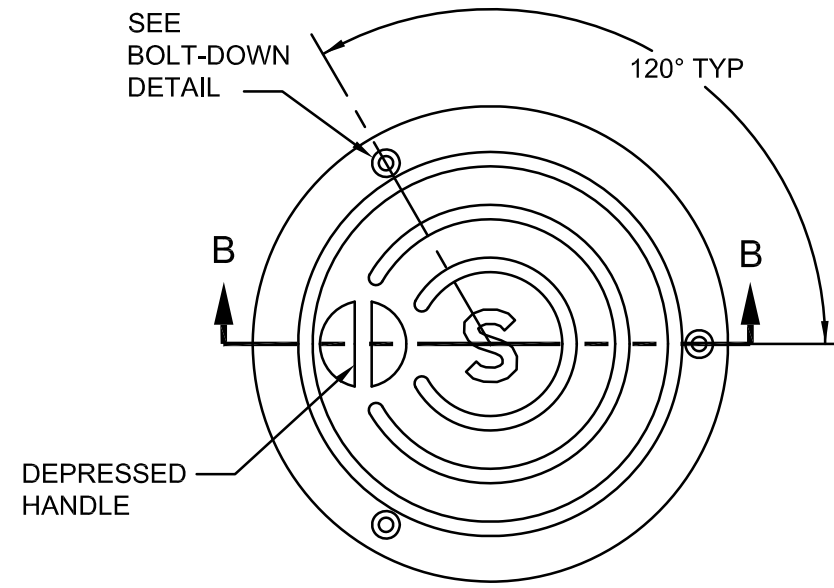


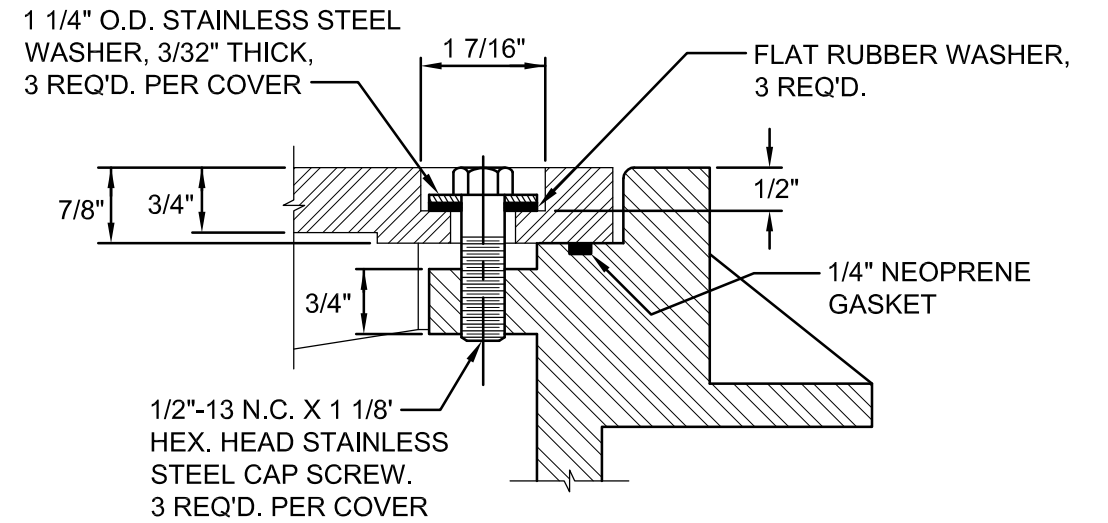
P-181_WATERTIGHT_MH_FRAME_COVER_6-INCH.DWG 8/20/20 1:36 PM RICKS



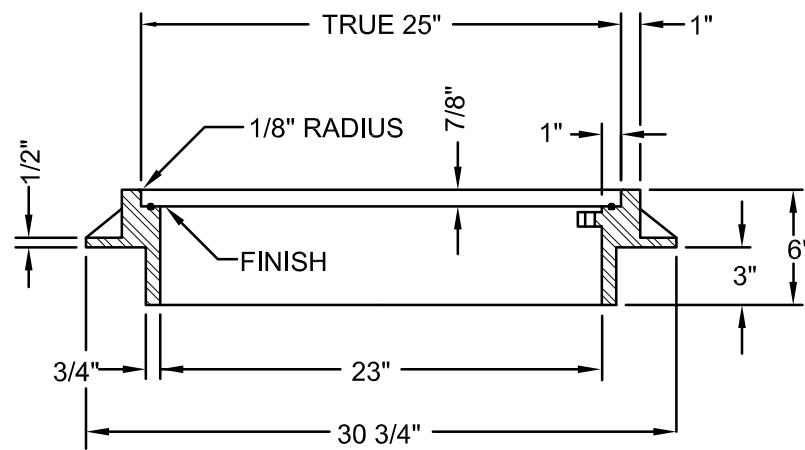
FRAME PLAN DETAIL



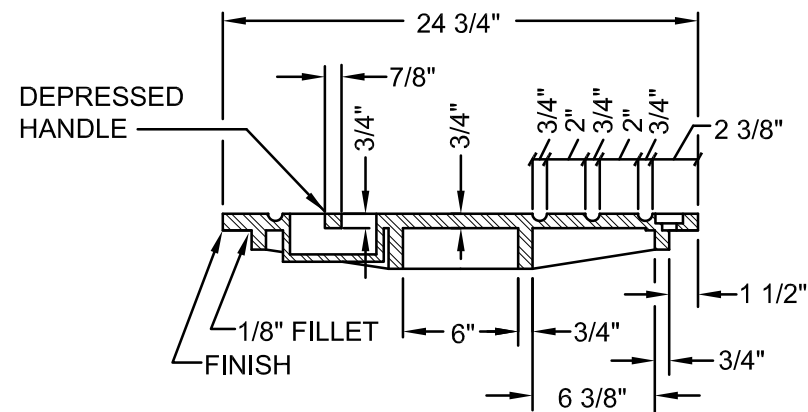
COVER PLAN DETAIL



BOLT-DOWN DETAIL




SECTION A-A



SECTION B-B

NOTES:

- COVER & FRAME TO BE MACHINED TO A TRUE BEARING ALL AROUND.
- MATERIAL SHALL BE OF GREY CAST IRON, ASTM A-48, CLASS 30.

<p>The selection and use of this Standard Detail, while designed in accordance with generally accepted engineering principles and practices, is the sole responsibility of the user.</p>	 <p>Bureau of Environmental Services CITY OF PORTLAND, OREGON William Ryan <small>Digitally signed by William Ryan Date: 2020.09.01 14:35:05 -0700</small> Chief Engineer</p>	
	<p>Standard Detail Title</p> <p>Watertight Maintenance Hole Frame & Cover 6 Inch Depth</p>	
<p>Note: All material and workmanship shall be in accordance with the City of Portland Standard Construction Specifications.</p>	<p>Effective Date: 01-01-09</p>	<p>Standard Detail No.</p> <p>P-181</p>
	<p>Calc. Book No.: N/A</p>	
	<p>Baseline Report Date: N/A</p>	