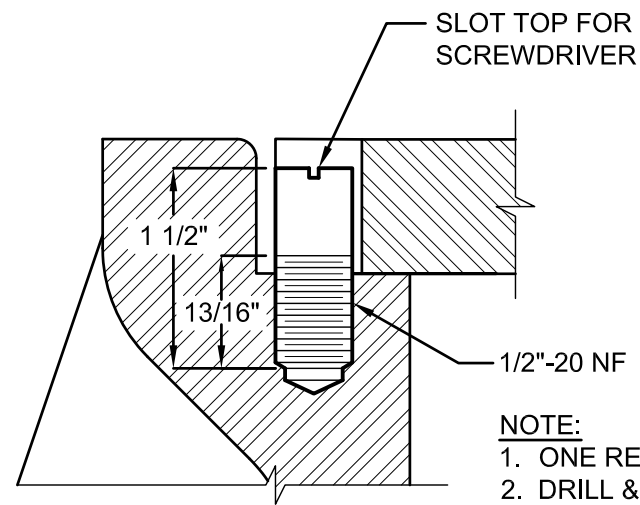
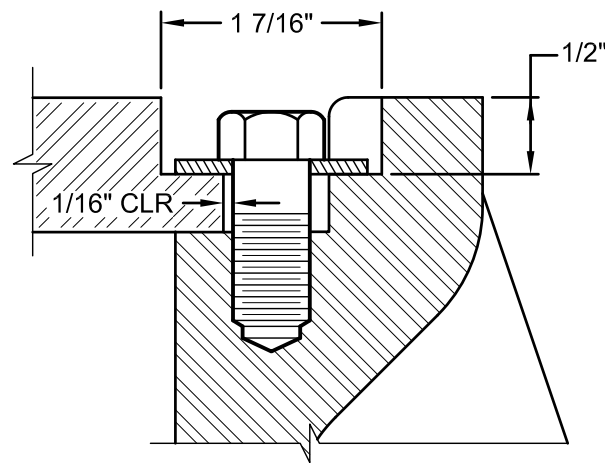


P-180_TAMPERPROOF_MH_FRAME_COVER_10-INCH.DWG 8/20/20 1:20 PM RICKS

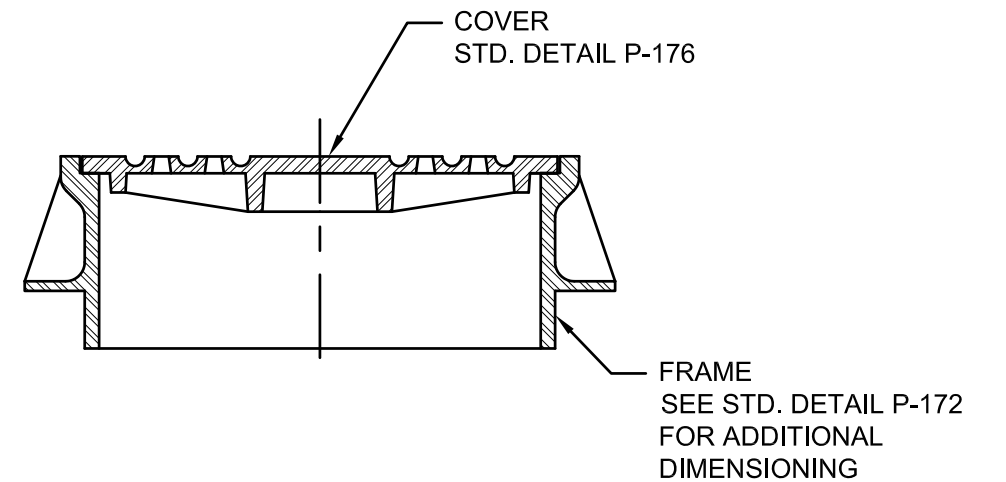


LOCATING STUD

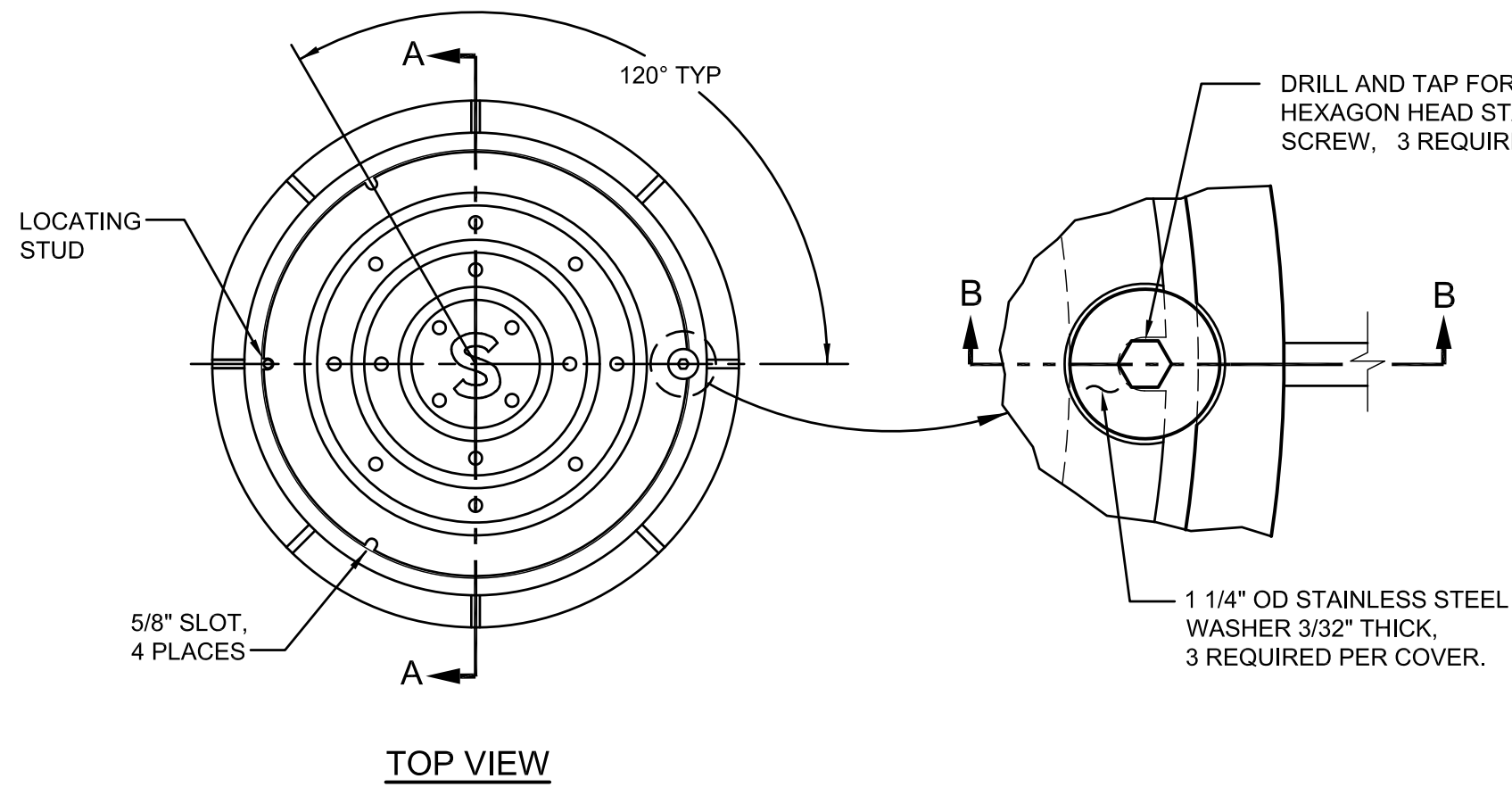
NOTE:
 1. ONE REQ'D PER COVER.
 2. DRILL & TAP FRAME FOR LOCATING STUD.



SECTION B-B



SECTION A-A



TOP VIEW

DRILL AND TAP FOR 1/2"-13 NC x 1 1/8" HEXAGON HEAD STAINLESS STEEL CAP SCREW, 3 REQUIRED PER COVER.

1 1/4" OD STAINLESS STEEL WASHER 3/32" THICK, 3 REQUIRED PER COVER.

The selection and use of this Standard Detail, while designed in accordance with generally accepted engineering principles and practices, is the sole responsibility of the user.



Bureau of Environmental Services
 CITY OF PORTLAND, OREGON

Chief Engineer

Standard Detail Title

**Tamperproof Maintenance Hole
 Frame & Cover
 10 Inch Depth**

Note:
 All material and workmanship shall be in accordance with the City of Portland Standard Construction Specifications.

Effective Date: 01-01-09

Calc. Book No.: N/A

Baseline Report Date: N/A

Standard Detail No.

P-180