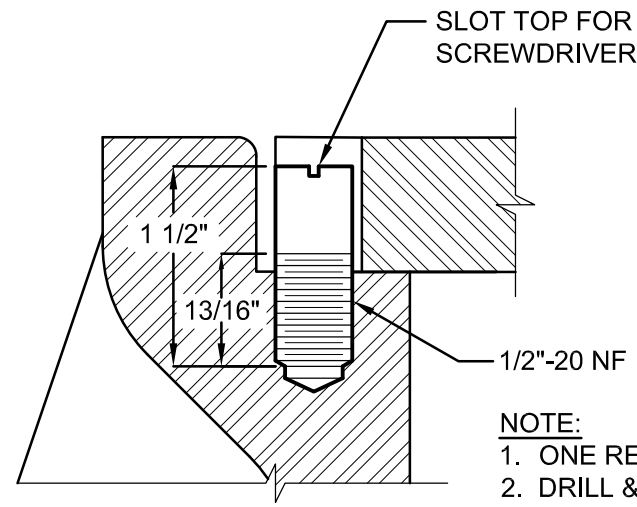
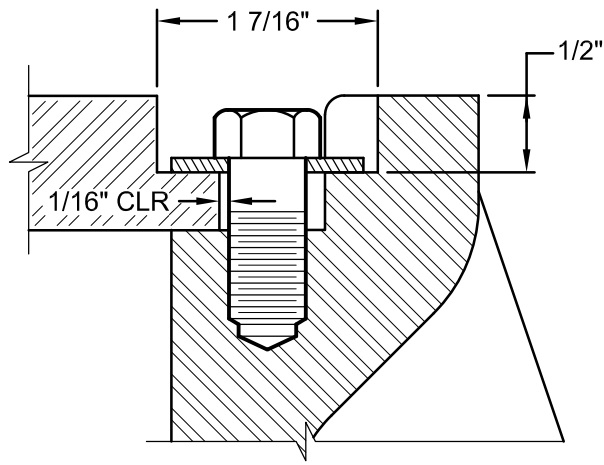


P-180\_TAMPERPROOF\_MH\_FRAME\_COVER\_10-INCH.DWG 8/20/20 1:20 PM RICKS

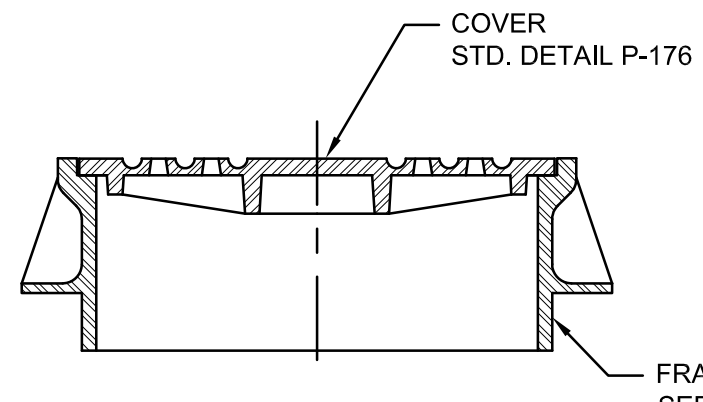


**LOCATING STUD**

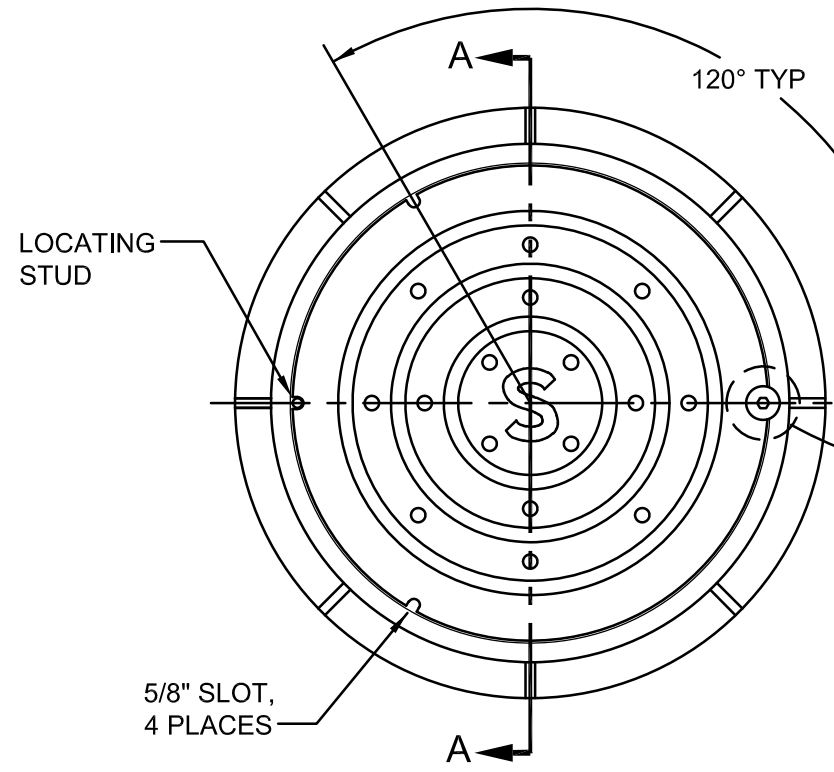
**NOTE:**  
 1. ONE REQ'D PER COVER.  
 2. DRILL & TAP FRAME FOR LOCATING STUD.



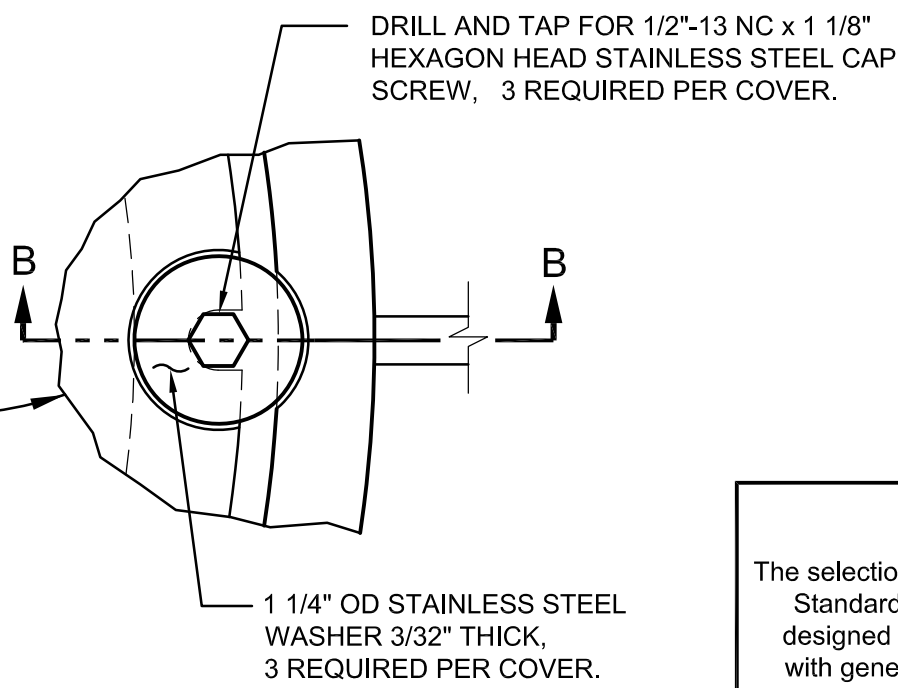
**SECTION B-B**




**SECTION A-A**



**TOP VIEW**



<p>The selection and use of this Standard Detail, while designed in accordance with generally accepted engineering principles and practices, is the sole responsibility of the user.</p>	 <p>Bureau of Environmental Services                  CITY OF PORTLAND, OREGON  <b>William Ryan</b>  <small>Digitally signed by William Ryan                  Date: 2020.09.01 14:34:35                  -07'00'</small>                  Chief Engineer</p>	
	<p>Standard Detail Title</p> <p><b>Tamperproof Maintenance Hole                  Frame &amp; Cover                  10 Inch Depth</b></p>	
<p>Note:                  All material and workmanship shall be in accordance with the City of Portland Standard Construction Specifications.</p>	<p>Effective Date: 01-01-09</p>	<p>Standard Detail No.</p> <p><b>P-180</b></p>
	<p>Calc. Book No.: N/A</p>	
	<p>Baseline Report Date: N/A</p>	