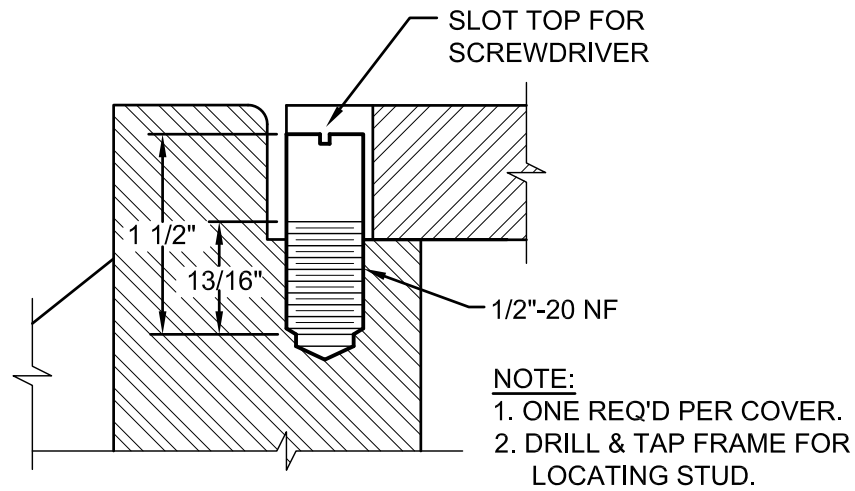
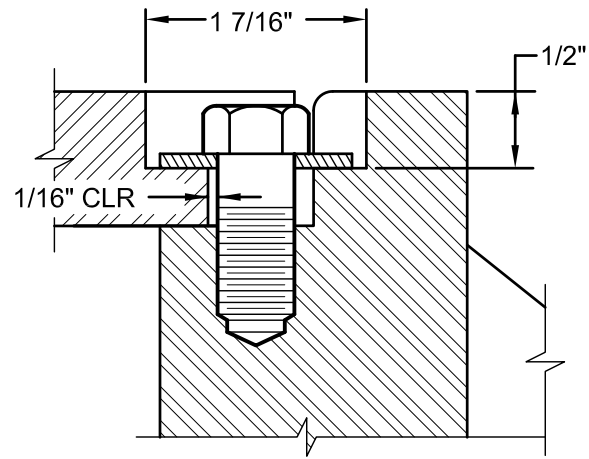


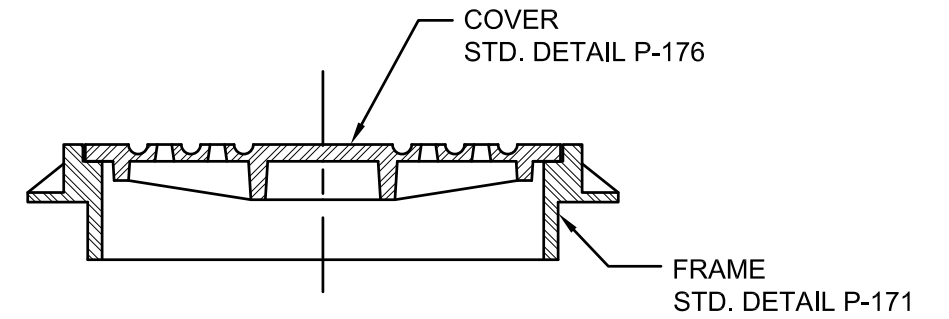
P-179\_TAMPERPROOF\_MH\_FRAME\_COVER\_6-INCH.DWG 8/20/20 1:14 PM RICKS



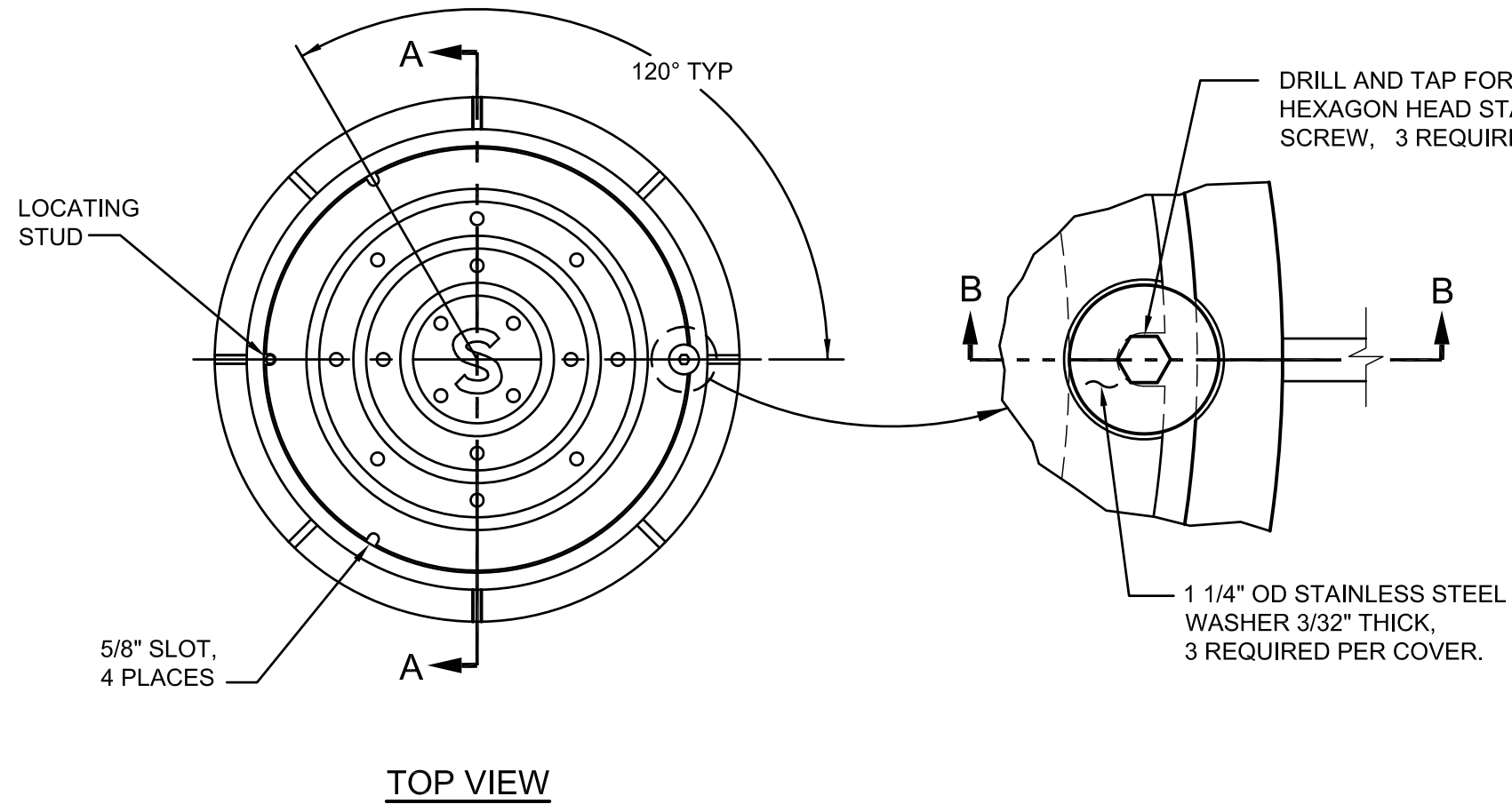
LOCATING STUD




SECTION B-B



SECTION A-A



<p>The selection and use of this Standard Detail, while designed in accordance with generally accepted engineering principles and practices, is the sole responsibility of the user.</p> <p>Note: All material and workmanship shall be in accordance with the City of Portland Standard Construction Specifications.</p>	 <p>Bureau of Environmental Services CITY OF PORTLAND, OREGON</p> <p>_____ Chief Engineer</p>
	<p>Standard Detail Title</p> <p><b>Tamperproof Maintenance Hole Frame &amp; Cover 6 Inch Depth</b></p>
	<p>Effective Date: 01-01-09</p> <p>Calc. Book No.: N/A</p> <p>Baseline Report Date: N/A</p>
<p>Standard Detail No.</p> <p><b>P-179</b></p>	