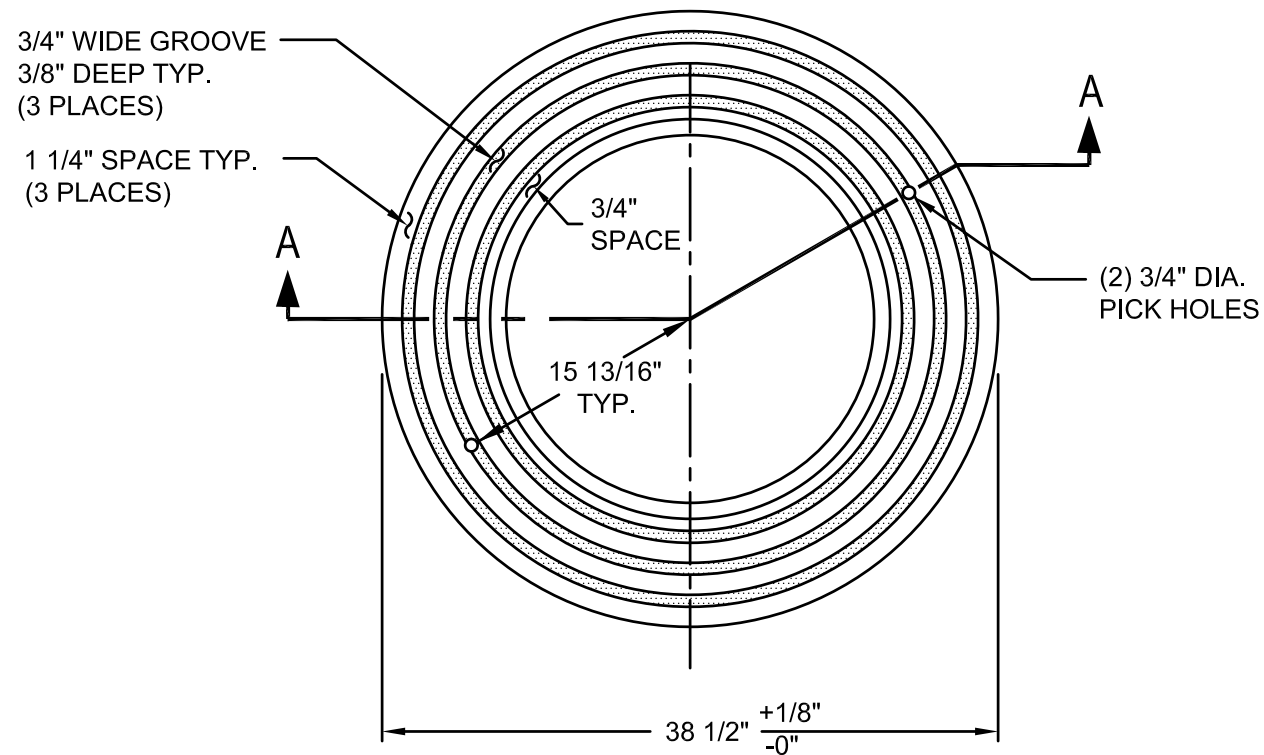
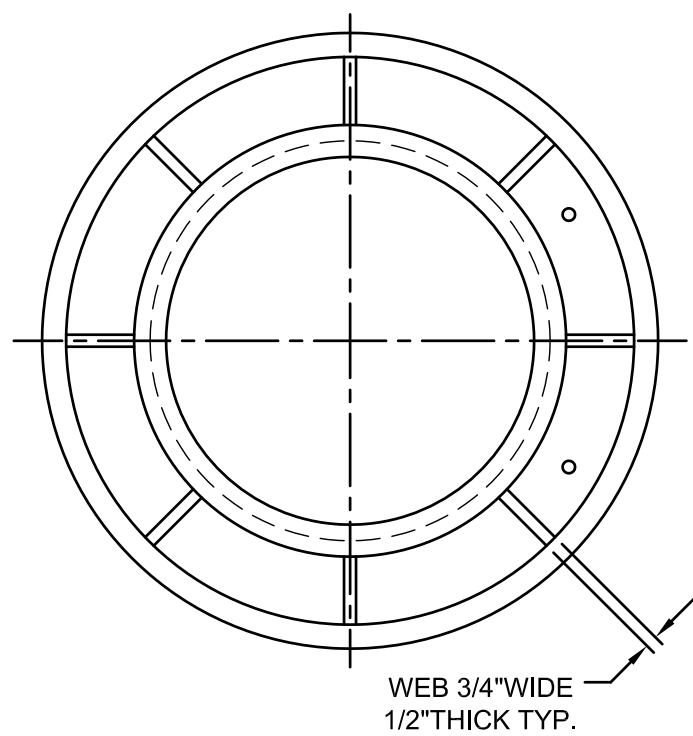


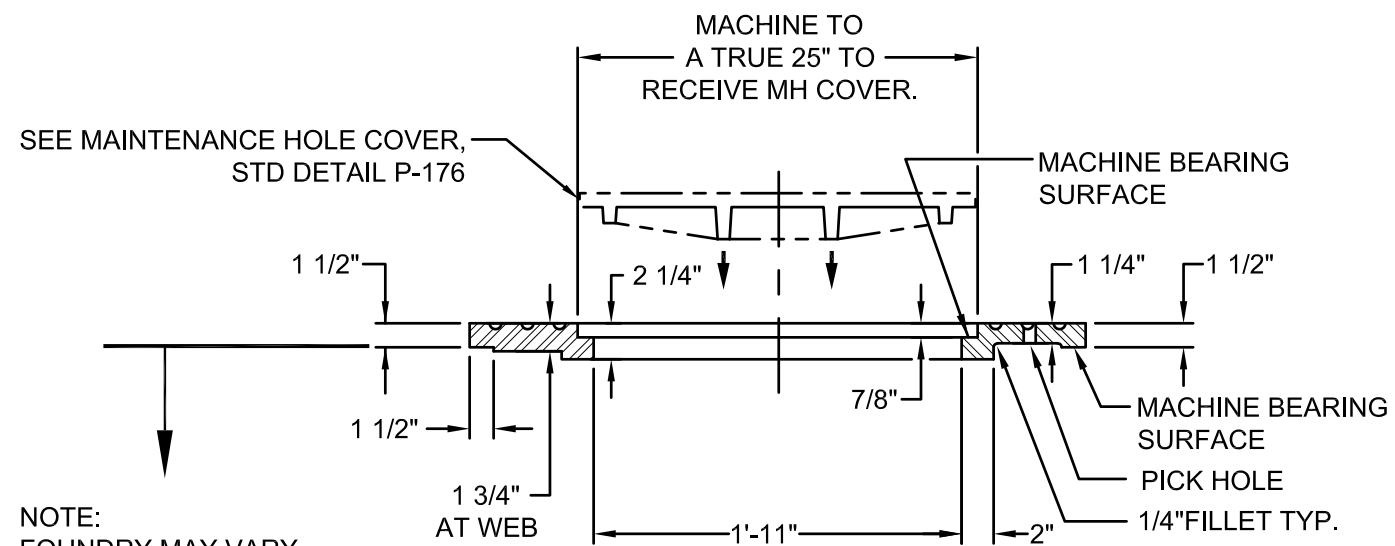
P-178_36-INCH_MH_DOUBLE_COVER.DWG 8/20/20 1:01 PM RICKS



TOP VIEW



HALF BOTTOM VIEW




NOTE:
 FOUNDRY MAY VARY
 UNDERSTRUCTURE DESIGN
 AND DIMENSIONS SUBJECT TO
 APPROVAL OF DESIGN AND
 TESTING BY BES.

SECTION A-A

NOTES:

1. EACH CASTING SHALL BE STAMPED WITH MANUFACTURE'S INITIALS, HEAT NUMBER, AND YEAR OF THE CAST.
2. TOLERANCE ON NON-MACHINED SURFACES TO BE $\pm 1/16"$.
3. APPROX. WT = 260 LBS. (APPROX. WT. WITH STANDARD COVER = 400 LBS). MATERIAL TO BE ASTM A536, GRADE 80-55-06.

The selection and use of this Standard Detail, while designed in accordance with generally accepted engineering principles and practices, is the sole responsibility of the user.	 Bureau of Environmental Services CITY OF PORTLAND, OREGON _____ Chief Engineer	
	Standard Detail Title 36 Inch Maintenance Hole Double Cover	
Note: All material and workmanship shall be in accordance with the City of Portland Standard Construction Specifications.	Effective Date: 01-01-09	Standard Detail No. P-178
	Calc. Book No.: N/A	
	Baseline Report Date: N/A	