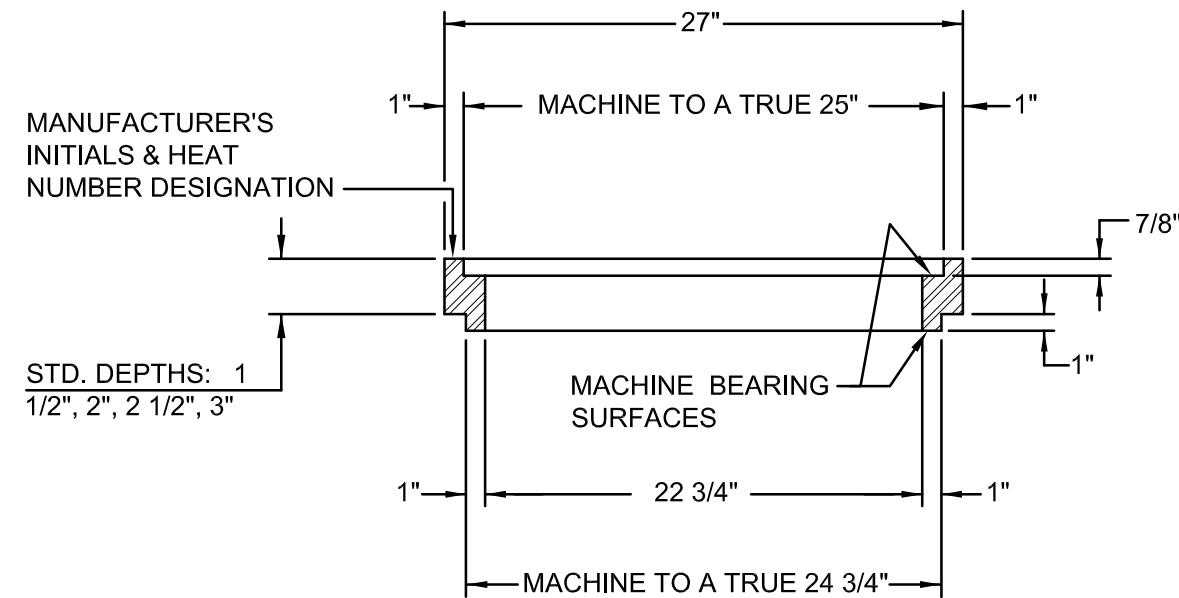


TOP VIEW




SECTION A-A

NOTES:

1. MATERIAL TO BE GREY CAST IRON ASTM A-48, CLASS 30.
2. TOLERANCE ON NON-MACHINED SURFACES TO BE $\pm 1/16$ "

P-174_MH_RISER_RING.DWG 8/20/20 12:15 PM RICKS

<p>The selection and use of this Standard Detail, while designed in accordance with generally accepted engineering principles and practices, is the sole responsibility of the user.</p>	 <p>Bureau of Environmental Services CITY OF PORTLAND, OREGON William Ryan <small>Digitally signed by William Ryan Date: 2020.09.01 08:19:42 -0700'</small> Chief Engineer</p>	
	<p>Standard Detail Title</p> <p>Maintenance Hole Riser Ring</p>	
<p>Note: All material and workmanship shall be in accordance with the City of Portland Standard Construction Specifications.</p>	Effective Date: 01-01-09	<p>Standard Detail No.</p> <p>P-174</p>
	Calc. Book No.: N/A	
	Baseline Report Date: N/A	