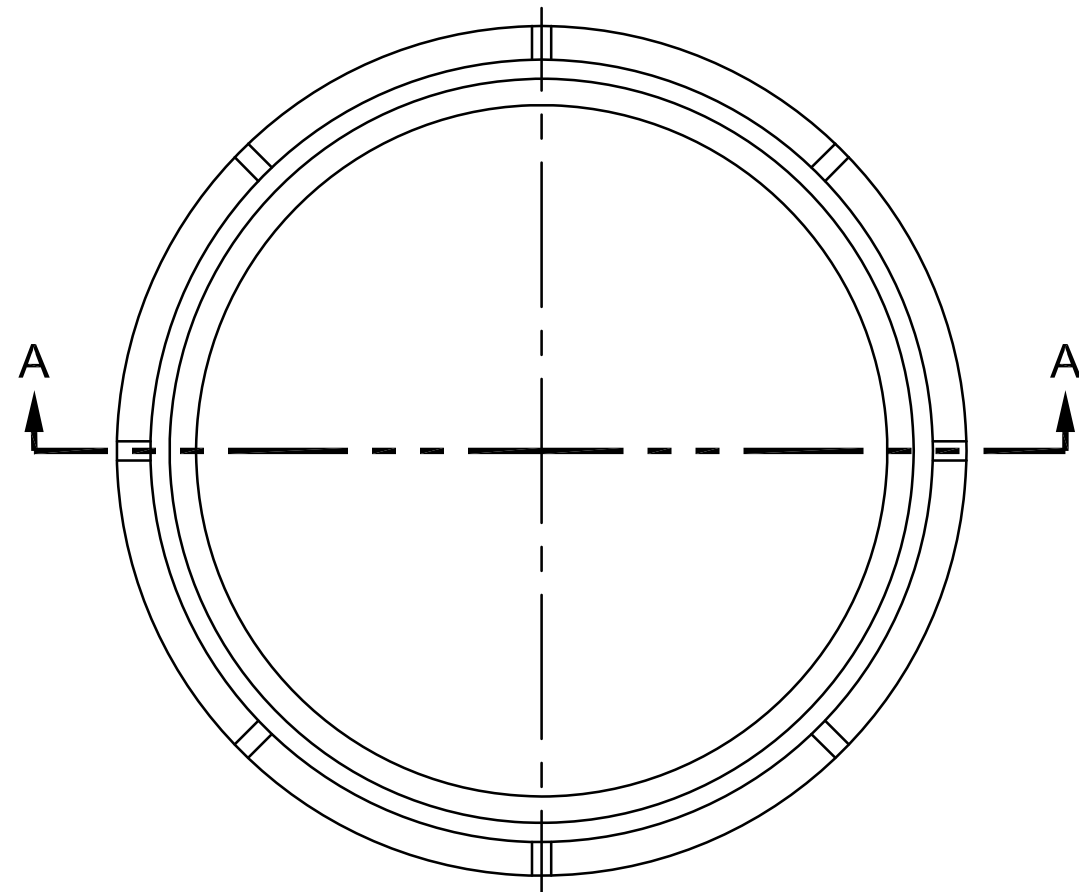
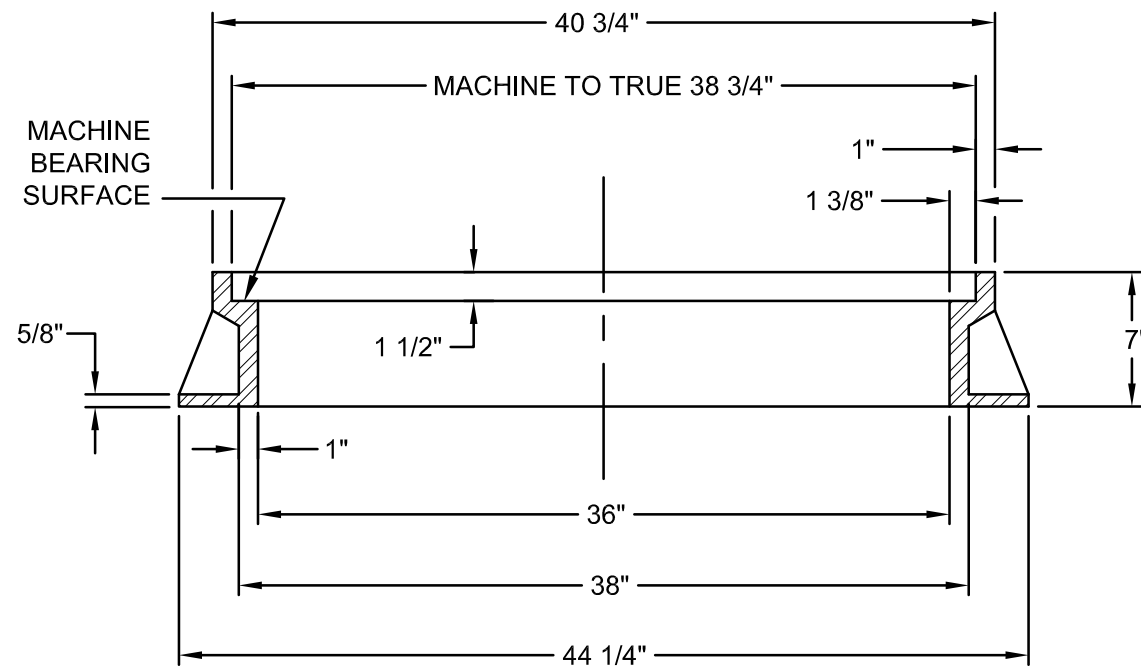


P-173\_36-INCH\_MAINTENANCE\_HOLE\_FRAME.DWG 8/20/20 12:14 PM RICKS




**TOP VIEW**



**SECTION A-A**

**NOTES:**

1. EACH CASTING SHALL BE STAMPED WITH MANUFACTURE'S INITIALS, HEAT NUMBER, AND YEAR OF THE CAST.
2. TOLERANCE ON NON-MACHINED SURFACES TO BE  $\pm 1/16"$ .
3. APPROX. WT. = 375 LBS. MATERIAL TO BE DUCTILE IRON, ASTM A-48, CLASS 30.

<p>The selection and use of this Standard Detail, while designed in accordance with generally accepted engineering principles and practices, is the sole responsibility of the user.</p>	 <p>Bureau of Environmental Services CITY OF PORTLAND, OREGON <b>William Ryan</b> <small>Digitally signed by William Ryan Date: 2020.09.01 08:18:52 -07'00'</small> Chief Engineer</p>	
	<p>Standard Detail Title</p> <p style="text-align: center;"><b>36 Inch Maintenance Hole Frame</b></p>	
<p>Note: All material and workmanship shall be in accordance with the City of Portland Standard Construction Specifications.</p>	<p>Effective Date: 01-01-09</p>	<p>Standard Detail No.</p> <p style="text-align: center;"><b>P-173</b></p>
	<p>Calc. Book No.: N/A</p>	
	<p>Baseline Report Date: N/A</p>	