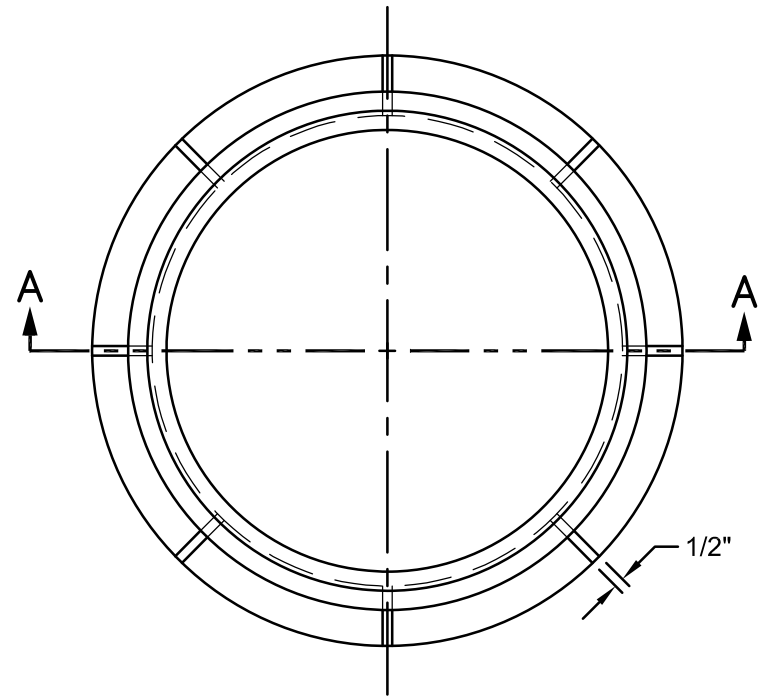
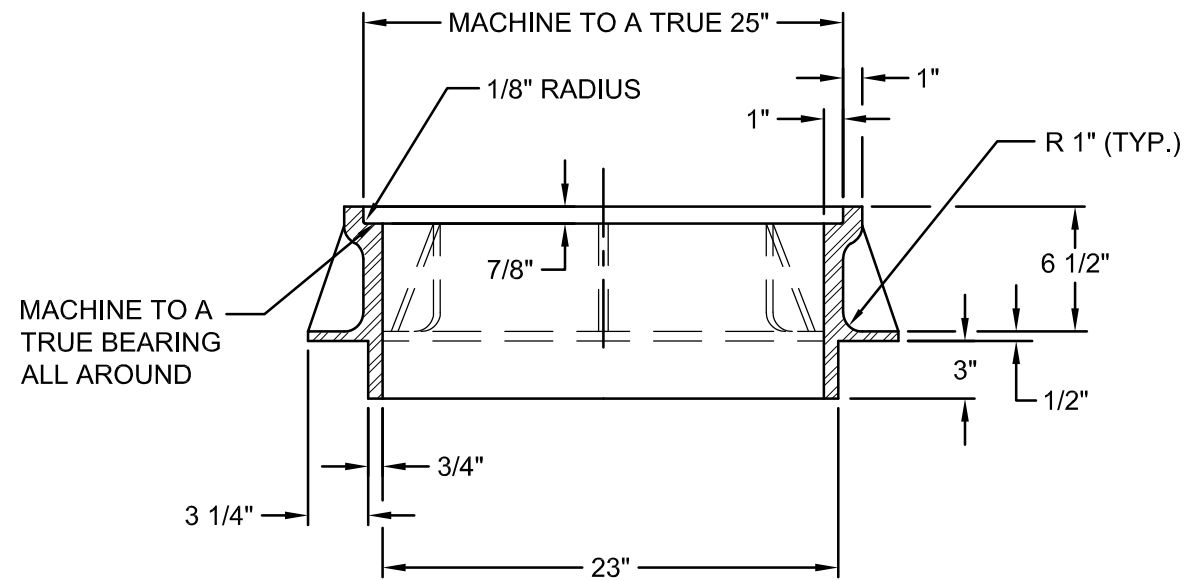



P-172_MH_FRAME_10-INCH_DEPTH.DWG 8/20/20 12:12 PM RICKS



TOP VIEW



SECTION A-A

<p>The selection and use of this Standard Detail, while designed in accordance with generally accepted engineering principles and practices, is the sole responsibility of the user.</p>	 <p>Bureau of Environmental Services CITY OF PORTLAND, OREGON</p> <p>William Ryan <small>Digitally signed by William Ryan Date: 2020.09.01 08:18:23 -0700</small></p> <p>Chief Engineer</p>	
	<p>Standard Detail Title</p> <p style="text-align: center;">Maintenance Hole Frame 10 Inch Depth</p>	
	<p>Note: All material and workmanship shall be in accordance with the City of Portland Standard Construction Specifications.</p>	<p>Effective Date: 01-01-09</p> <p>Calc. Book No.: N/A</p> <p>Baseline Report Date: N/A</p>