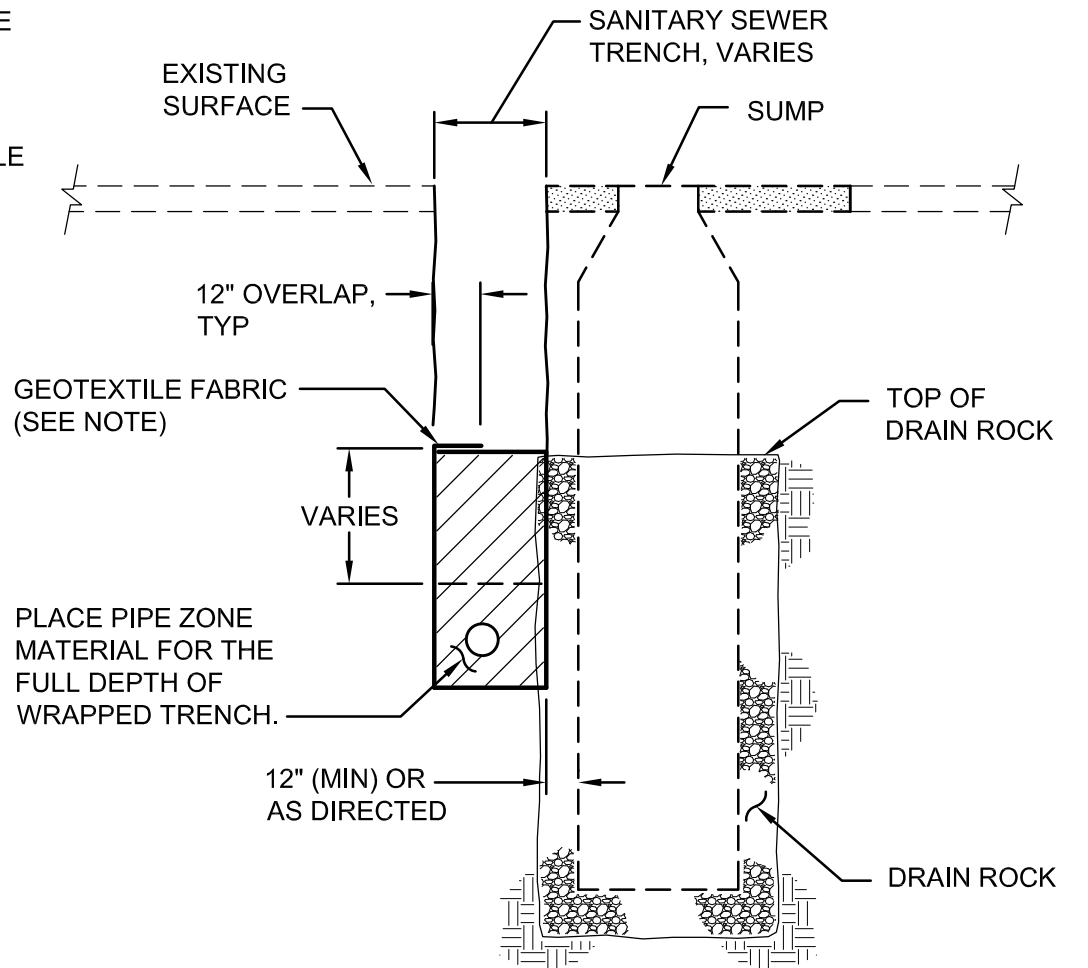
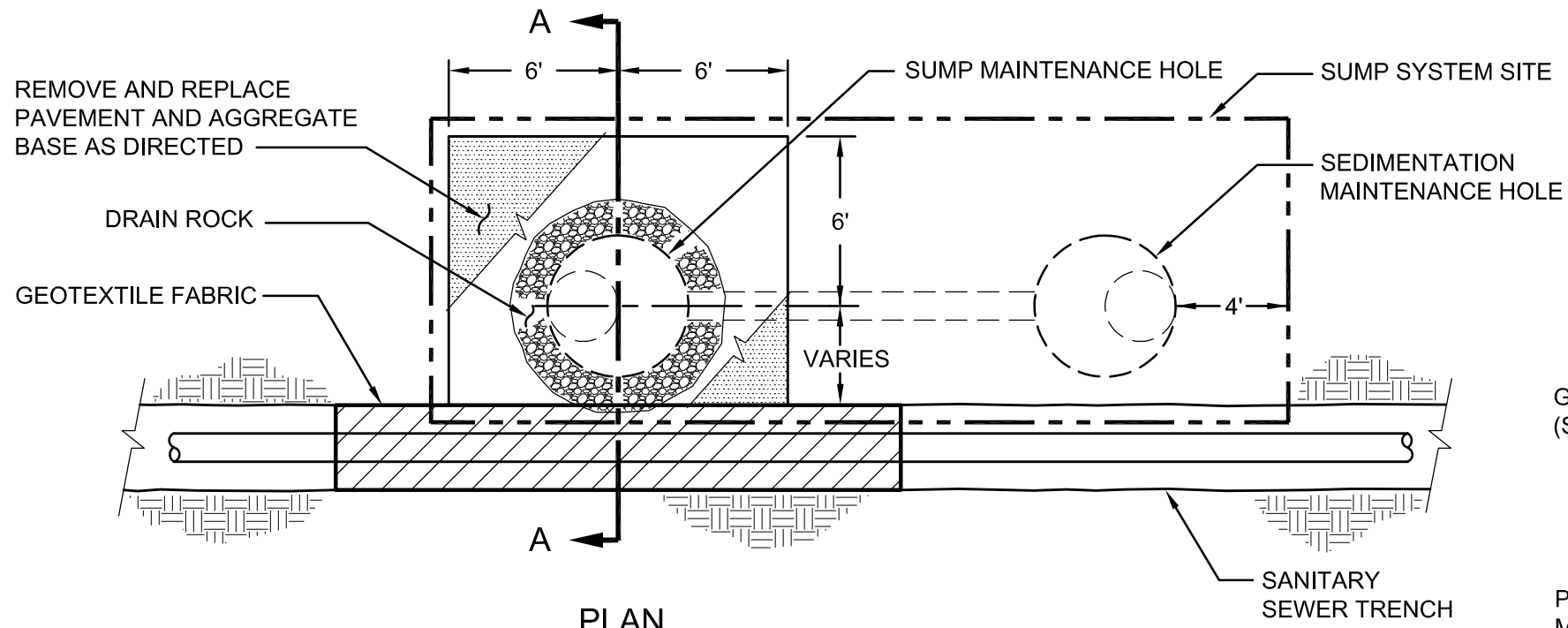
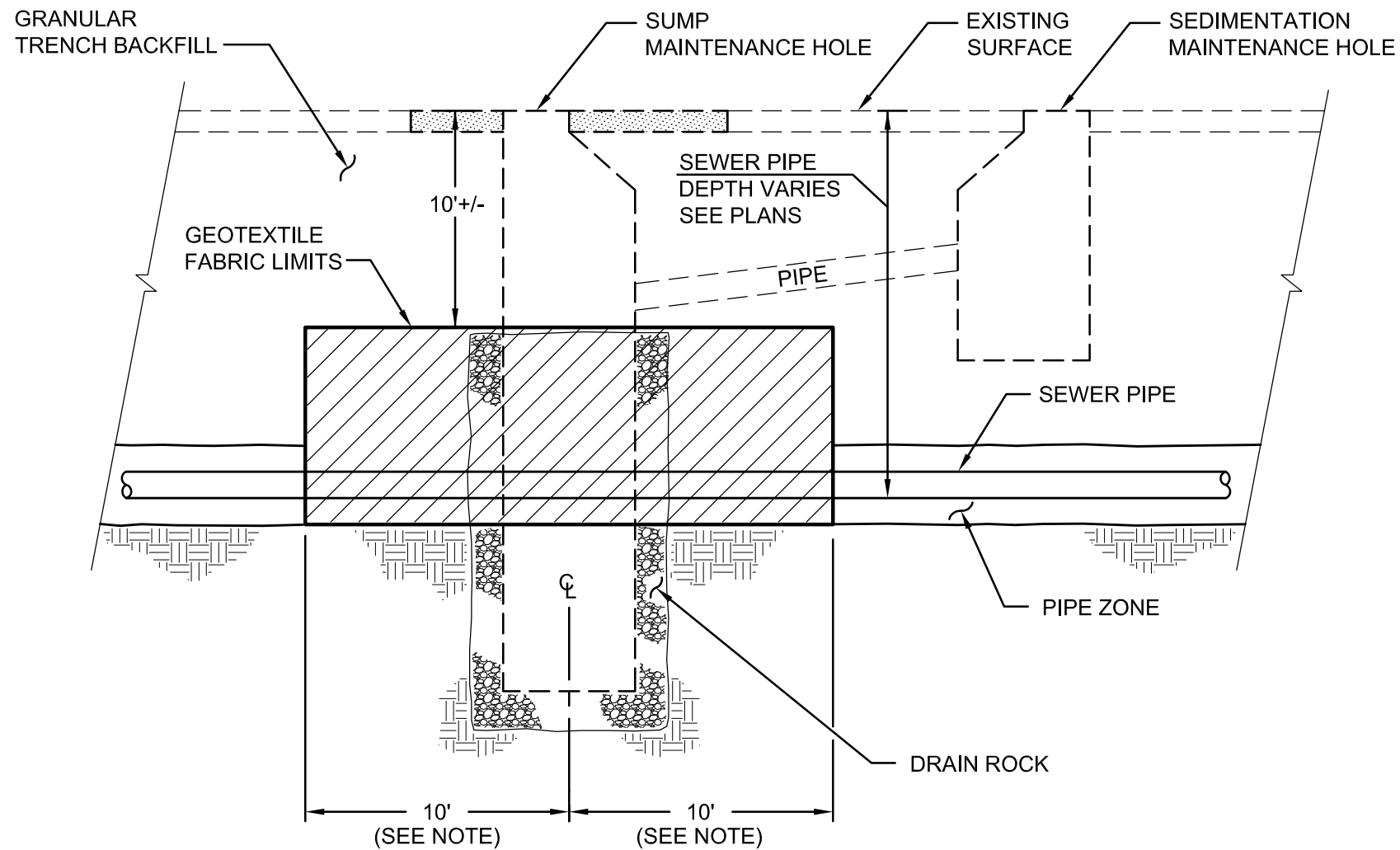



P-165_SUMP_SYSTEM_REMEDIATION.DWG 8/20/20 11:13 AM RICKS



NOTE:
INSTALL GEOTEXTILE FABRIC AS SHOWN TO SEPARATE BEDDING AND TRENCH BACKFILL FROM SUMP DRAIN ROCK.



| | | |
|--|--|--|
| <p>The selection and use of this Standard Detail, while designed in accordance with generally accepted engineering principles and practices, is the sole responsibility of the user.</p> |  <p>Bureau of Environmental Services CITY OF PORTLAND, OREGON William Ryan <small>Digitally signed by William Ryan Date: 2020.09.01 08:16:35 -07'00'</small> Chief Engineer</p> | |
| | <p>Standard Detail Title</p> <p>Sump System Remediation Plan</p> | |
| <p>Note: All material and workmanship shall be in accordance with the City of Portland Standard Construction Specifications.</p> | <p>Effective Date: 06-21-10</p> | <p>Standard Detail No.</p> <p>P-165</p> |
| | <p>Calc. Book No.: N/A</p> | |