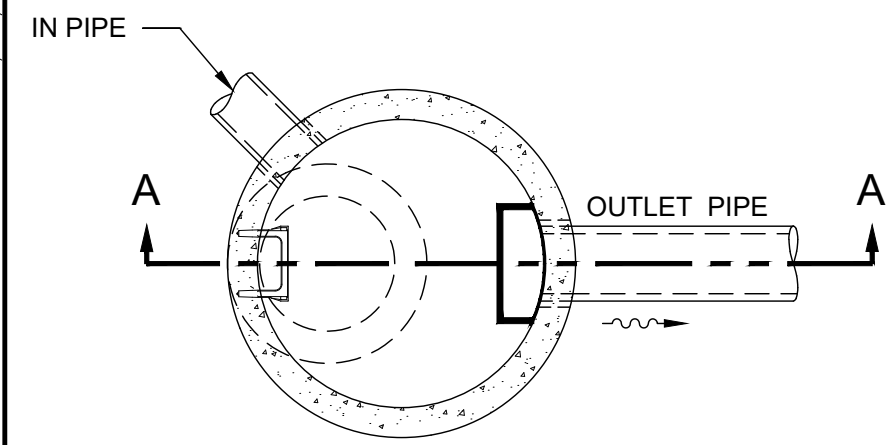


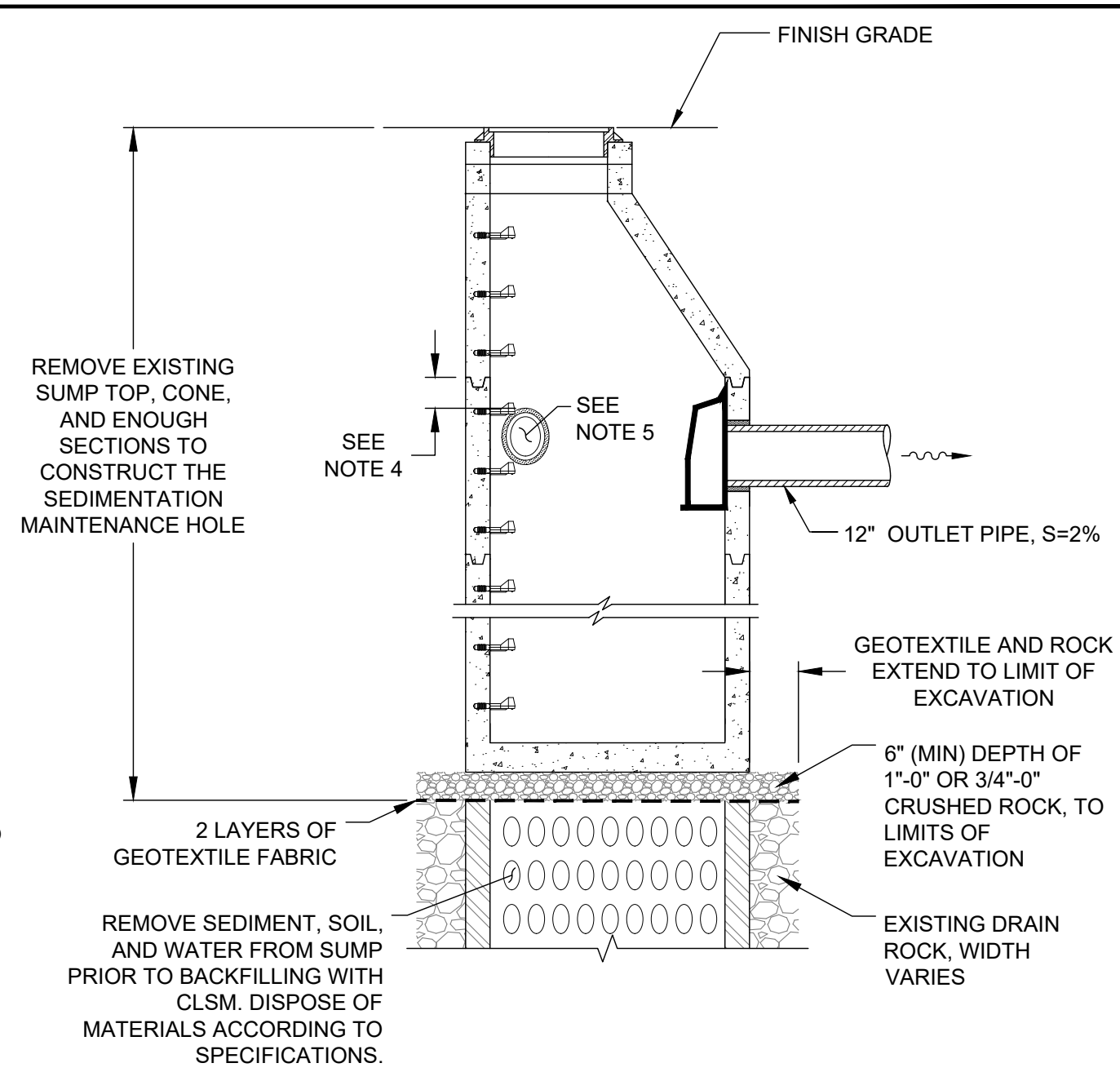
SECTION A-A



PLAN

NOTES:

1. ALL PRECAST SECTIONS SHALL CONFORM TO THE REQUIREMENTS OF THE CITY OF PORTLAND MANUFACTURING STANDARDS FOR PRECAST CONCRETE PRODUCTS (MSPCP), AS REVISED.
2. MAINTENANCE HOLE STEPS – REFER TO THE STANDARD DETAIL P-168.
3. PROVIDE A FLEXIBLE JOINT FOR ALL CONNECTED PIPES:
 - RIGID PIPE < 36 INCHES – 18 INCHES (MAX.) FROM OUTSIDE WALL
 - FLEXIBLE PIPE – 18 INCHES (MAX.) FROM THE OUTSIDE WALL UNLESS A FLEXIBLE JOINT FITTING IS INSTALLED AND ACCEPTED.
4. PROVIDE 6 INCHES (MIN.) OF SEPARATION BETWEEN A SECTION JOINT AND THE OUTER EDGE OF ANY OPENING.
5. LOCATE INVERT OF ANY PIPE 6 INCHES (MIN.) ABOVE THE OUTLET PIPE INVERT.
6. CONTACT THE CSA PROGRAM BEFORE CONVERTING AN EXISTING SUMP TO A SEDIMENTATION MAINTENANCE HOLE.



IN LOCATION OF EXISTING SUMP

| | | |
|---|--|-------------------------------------|
| The selection and use of this Standard Detail, while designed in accordance with generally accepted engineering principles and practices, is the sole responsibility of the user. | Bureau of Environmental Services CITY OF PORTLAND, OREGON _____ Chief Engineer | |
| | Standard Detail Title Sedimentation Maintenance Hole and Sedimentation Maintenance Hole in Location of Existing Sump | |
| | Effective Date: 04-01-23 Calc. Book No.: N/A Baseline Report Date: N/A | Standard Detail No. P-161 |

Note:
All material and workmanship shall be in accordance with the City of Portland Standard Construction Specifications.