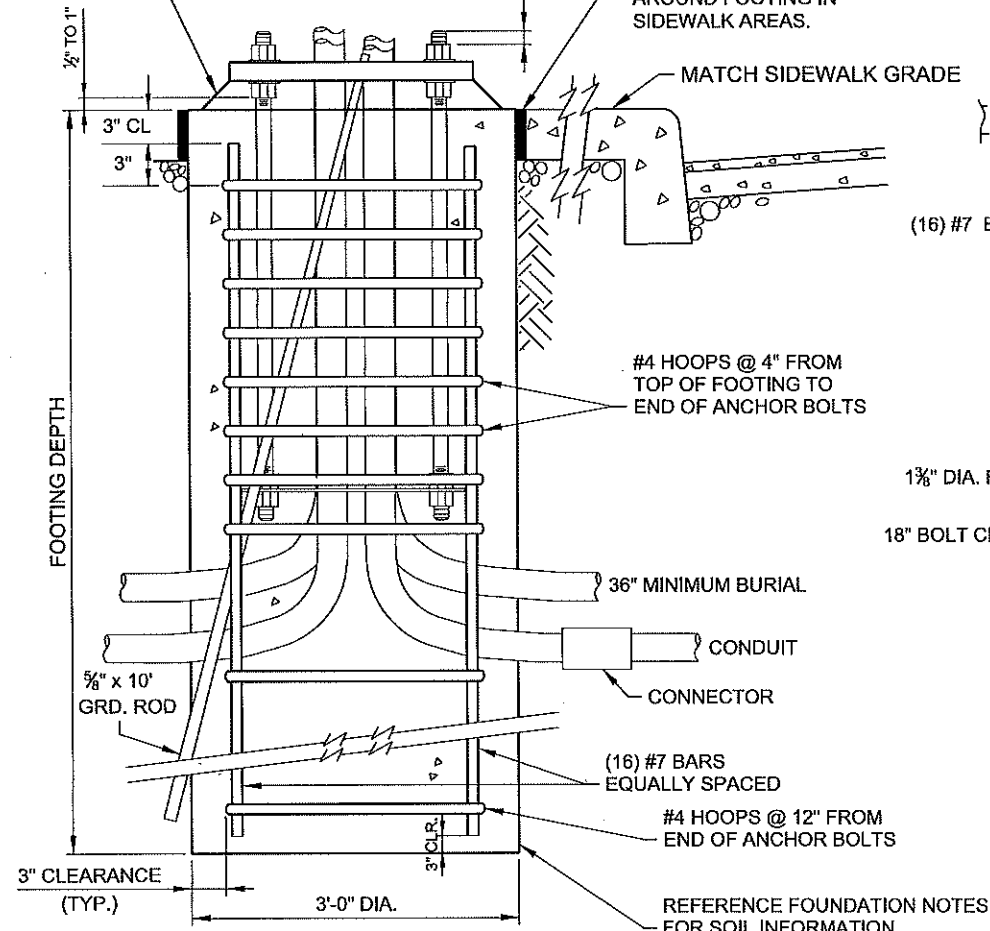
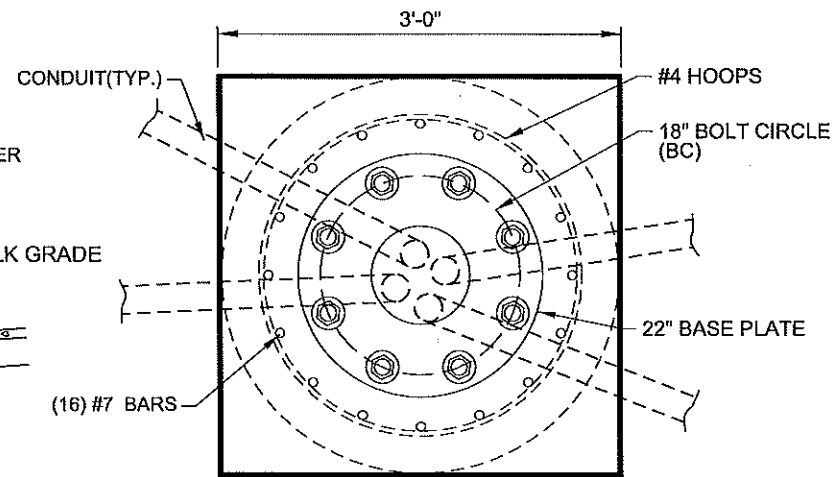


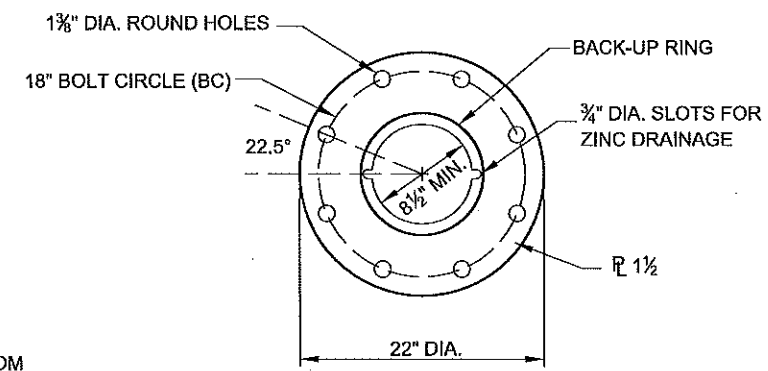
GROUT BASE AND PROVIDE 1/2" WIDE FULL DEPTH SLOT ON THE LOW SIDE OF THE POLE FROM THE CONDUITS TO THE OUTSIDE OF GROUT PAD



**ELEVATION VIEW  
STANDARD STREET LIGHT FOUNDATION**



**FOOTING TOP VIEW**



**BASE PLATE DETAIL**

**NOTES:**

- STANDARD FOUNDATION DESIGN IS BASED ON THE FOLLOWING SOIL PARAMETERS, WHICH ARE CHARACTERISTIC OF THE PREDOMINANTLY SILTY SOILS LOCATED THROUGHOUT THE GREATER PORTLAND AREA: SOIL INTERNAL FRICTION ANGLE: 26 DEGREES; SOIL EFFECTIVE UNIT WEIGHT = 110 PCF; SOIL MODULUS: 25 PCI DRY, 20 PCI SUBMERGED; SOIL STRAIN: 0.015.
- SHAFTS THAT ENCOUNTER GROUNDWATER LEVEL IN UPPER HALF OF SHAFT REQUIRE THE TOTAL FOUNDATION DEPTH BE INCREASED BY 2 FEET.
- SHAFTS THAT ENCOUNTER UP TO 3 FEET OF FILL SOIL REQUIRE THE TOTAL FOUNDATION DEPTH BE INCREASED BY AN AMOUNT EQUAL TO THE THICKNESS OF THE FILL.
- SHAFTS THAT ENCOUNTER MORE THAN 3 FEET OF FILL SOIL OR VAULTED SIDEWALK REQUIRE A SITE OBSERVATION AND SPECIAL FOUNDATION DESIGN.
- LOCAL DESIGN DISTRICTS MAY REQUIRE SPECIAL FOUNDATION DESIGN.

**CONDUIT:**

- CONDUIT SHALL BE RGS IN CONCRETE WITH 6" MINIMUM STUB-OUT.
- SERVICE AND FEED CONDUITS SHALL BE RGS OR PVC, AS REQUIRED.
- STUB UP TO WITHIN 4" FROM HAND HOLE.

**FOUNDATION:**

- REINFORCING STEEL SHALL CONFORM TO ASTM A615 OR ASTM A706, GRADE 60.
- PROVIDE CLASS 4000 DRILLED SHAFT CONCRETE.
- PROVIDE 4000 PSI STRUCTURAL GROUT.
- THE TOP OF ROUND FOUNDATIONS IN SIDEWALKS SHALL BE POURED AS A SQUARE PAD, MATCHING THE SIDEWALK THICKNESS.
- FOUNDATIONS IN SIDEWALKS SHALL CURE A MINIMUM OF SEVEN (7) DAYS PRIOR TO POLE INSTALLATION OR TORQUING OF THE ANCHOR BOLTS.
- POUR FOOTING CONCRETE AGAINST UNDISTURBED SOIL, EXISTING WELL COMPACTED SOIL OR BACKFILL, OR GRANULAR STRUCTURE BACKFILL PLACED WITH THE FOOTING.

**GROUND ROD:**

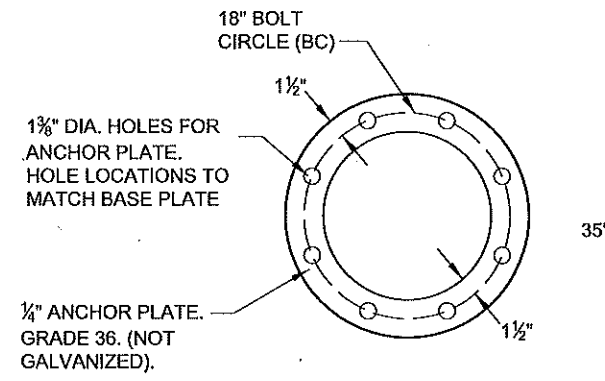
- MINIMUM 3" EXPOSURE AT TOP OF FOUNDATION, WITHIN BOLT CIRCLE.

**GALVANIZING:**

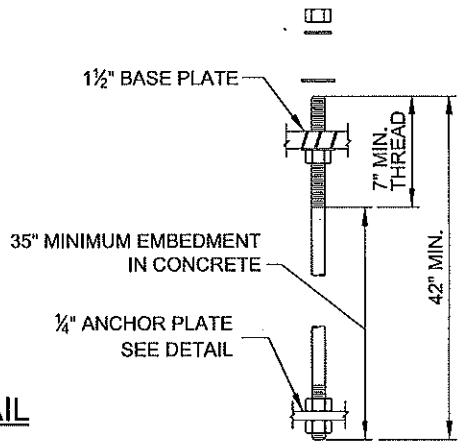
- ALL STRUCTURAL STEEL INCLUDING FASTENERS SHALL BE HOT-DIP GALVANIZED AFTER FABRICATION UNLESS NOTED OTHERWISE. SILICON CONTENT OF THE BASE METAL SHALL BE IN THE RANGE OF 0.00% TO 0.06% OR 0.13% TO 0.25%.

POLE TYPE	FOOTING DEPTH *	
	SINGLE ARM	DUAL ARM
SWLP-25		
SWLP-30	11.0	11.5
SWLP-35	12.5	13.0
SWLP-40		

\* SEE SHEET P-668 FOR CALCULATED STANDARD BASE REACTIONS FOR FOOTING DEPTH CALCULATION.



**ANCHOR PLATE DETAIL**



**ANCHOR BOLT DETAIL**

- (8) 1 1/4" GALV. STL. ANCHOR BOLTS F1554 GRADE 55
- (32) 1 1/4" GALV. STL. NUTS
- (8) 1 1/4" GALV. STL. LOCKWASHERS
- (16) 1 1/4" GALV. STL. FLATWASHERS

<p>The selection and use of this Standard Drawing, while designed in accordance with generally accepted engineering principles and practices, is the sole responsibility of the user.</p>	<p><b>PORTLAND BUREAU OF TRANSPORTATION</b></p> <p><i>City Engineer</i></p>	
	<p>Standard Drawing Title</p> <p><b>STREET LIGHTING SMALL WIRELESS FACILITIES FOUNDATION DETAILS</b></p>	
	<p>Effective Date: 10-25-2019</p>	<p>Standard Drawing No.</p> <p><b>P-669</b></p>

Note: All material and workmanship shall be in accordance with the City of Portland Standard Construction Specifications.

Calc. Book No.:  
Baseline Report Date: 10-25-2019