

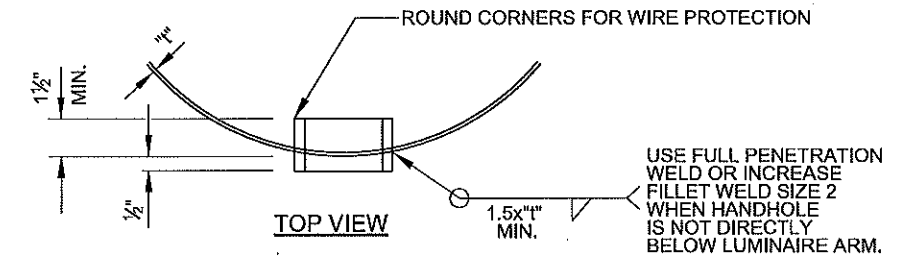
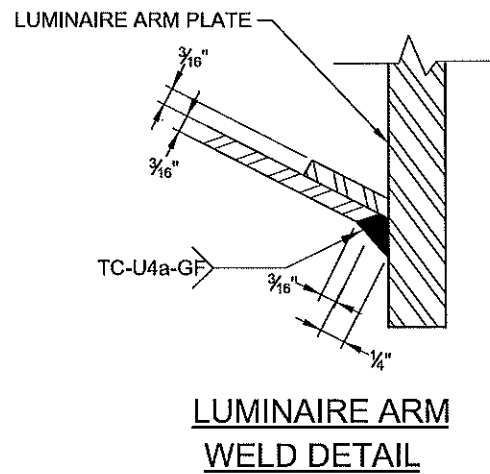
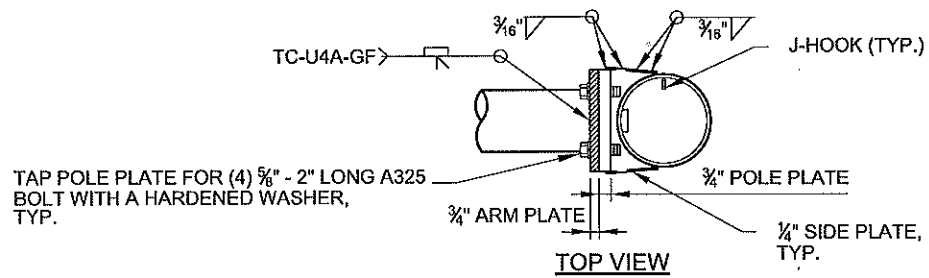
GENERAL NOTES :

1. LIGHT SUPPORTS SHALL BE DESIGNED IN ACCORDANCE WITH THE AASHTO STANDARD SPECIFICATIONS FOR STRUCTURAL SUPPORTS FOR HIGHWAY SIGNS, LUMINAIRES, AND TRAFFIC SIGNALS, 6TH EDITION, 2013.
2. ALL LIGHT SUPPORTS SHALL CONFORM TO THE ADMINISTRATIVE RULES (TRN-10.44) AND DETAILS SHOWN ON THESE DRAWINGS EXCEPT AS APPROVED BY THE ENGINEER. FOR ADDITIONAL DETAILS SEE DRAWING NO. P-667 AND P-669.
3. THE DESIGN BASIC WIND SPEED (3 SECOND GUST) SHALL BE 100MPH, GUST FACTOR $G = 1.14$, $I_r = 1.0$ (50 YR RECURRENCE INTERVAL), FATIGUE CATEGORY II, NO GALLOPING, AND TRUCK SPEED = 55 MPH.
4. POLES AND ARMS SHALL BE ROUND OR OCTAGONAL IN CROSS SECTION AND TAPER SHALL BE EQUAL TO 0.14 IN/FT.
5. ANCHOR BOLTS SHALL CONFORM TO ASTM F1554 GRADE 55. NUTS SHALL CONFORM TO ASTM A563 GRADE DH HEAVY HEX OR ASTM A194 GRADE 2H.
6. HEX. HEAD BOLTS SHALL CONFORM TO ASTM F3125, GRADE A325. NUTS SHALL CONFORM TO ASTM A563 GRADE DH OR ASTM A194 GRADE 2H.
7. HARDENED STEEL WASHERS SHALL CONFORM TO ASTM F436 TYPE 1.
8. ALL STEEL PLATES SHALL CONFORM TO ASTM A572 GRADE 50.
9. STEEL IN TUBES SHALL CONFORM TO A572 GRADE 50 OR A595 GRADE A OR B.
10. LUMINAIRE TENONS SHALL CONFORM TO ASTM A53 GRADE B.
11. HANDHOLE COVERS SHALL CONFORM TO ASTM A1011 GRADE 50.
12. ALL STRUCTURAL STEEL, INCLUDING FASTENERS, SHALL BE HOT DIP GALVANIZED ACCORDING TO ASTM A123 AND ASTM A153. SILICON CONTENT OF THE BASE METAL SHALL BE 0.00% TO 0.06% OR 0.13% TO 0.25%.

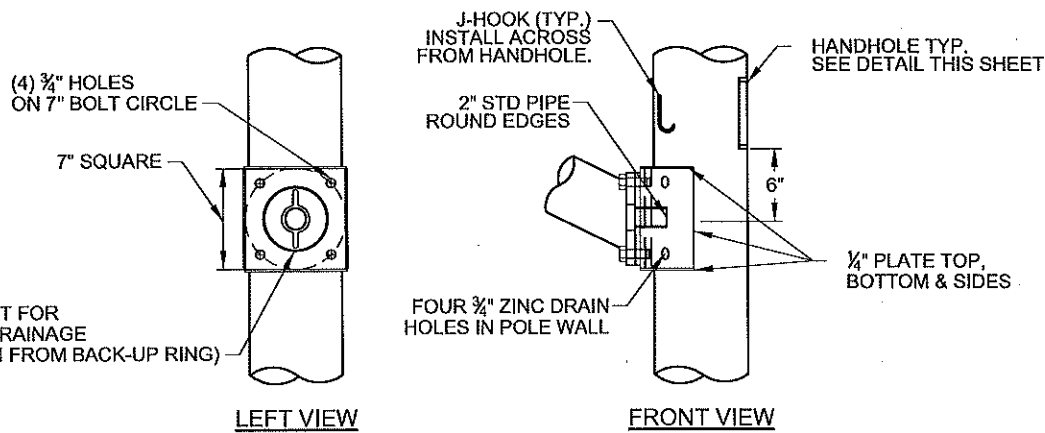
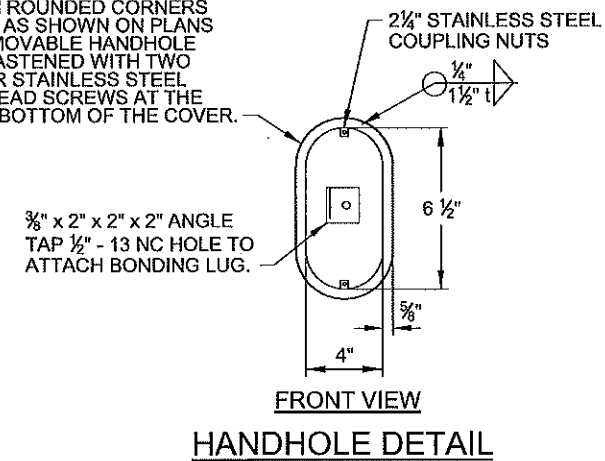
ARM LENGTHS	WIND LOAD CASE II	
	SHEAR (KIPS)	MOMENT (KIP-FT)
4', 6', 8'	0.22	1.26
10', 12', 15'	0.32	3.66

POLE TYPE	WIND LOAD CASE II				
	LUMINAIRES	AXIAL (KIPS)	SHEAR (KIPS)	MOMENT (KIP-FT)	TORQUE (KIP-FT)
SWLP-25	SINGLE	2.25	3.45	59.15	3.93
	DUAL	2.46	3.73	66.30	3.93
SWLP-30	SINGLE	2.25	3.45	59.02	3.93
	DUAL	2.46	3.73	67.53	3.93
SWLP-35	SINGLE	2.55	3.84	75.33	4.18
	DUAL	2.76	4.12	85.42	4.18
SWLP-40	SINGLE	2.68	3.98	87.71	4.28
	DUAL	2.88	4.27	99.53	4.28

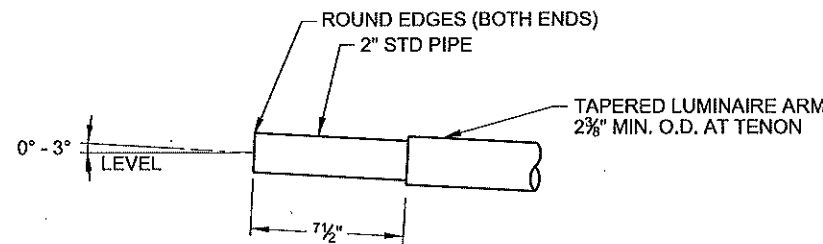
SEE SHEET P-669 FOR SMALL WIRELESS FACILITIES FOUNDATION DETAILS.



HANDHOLE REINFORCEMENT BAR WITH ROUNDED CORNERS LOCATED AS SHOWN ON PLANS WITH REMOVABLE HANDHOLE COVER FASTENED WITH TWO BRASS OR STAINLESS STEEL ROUND HEAD SCREWS AT THE TOP AND BOTTOM OF THE COVER.



LUMINAIRE ARM CONNECTION



LUMINAIRE TENON DETAIL

NOT TO SCALE

The selection and use of this Standard Drawing, while designed in accordance with generally accepted engineering principles and practices, is the sole responsibility of the user.

Note:
All material and workmanship shall be in accordance with the City of Portland Standard Construction Specifications.

PORTLAND BUREAU OF TRANSPORTATION

PBOT
Steve Tomlin
City Engineer

Standard Drawing Title
**STREET LIGHTING
SMALL WIRELESS FACILITIES
GENERAL NOTES AND REACTIONS**

Effective Date: 10-25-2019

Calc. Book No.:

Baseline Report Date: 10-25-2019

Standard Drawing No.

P-668