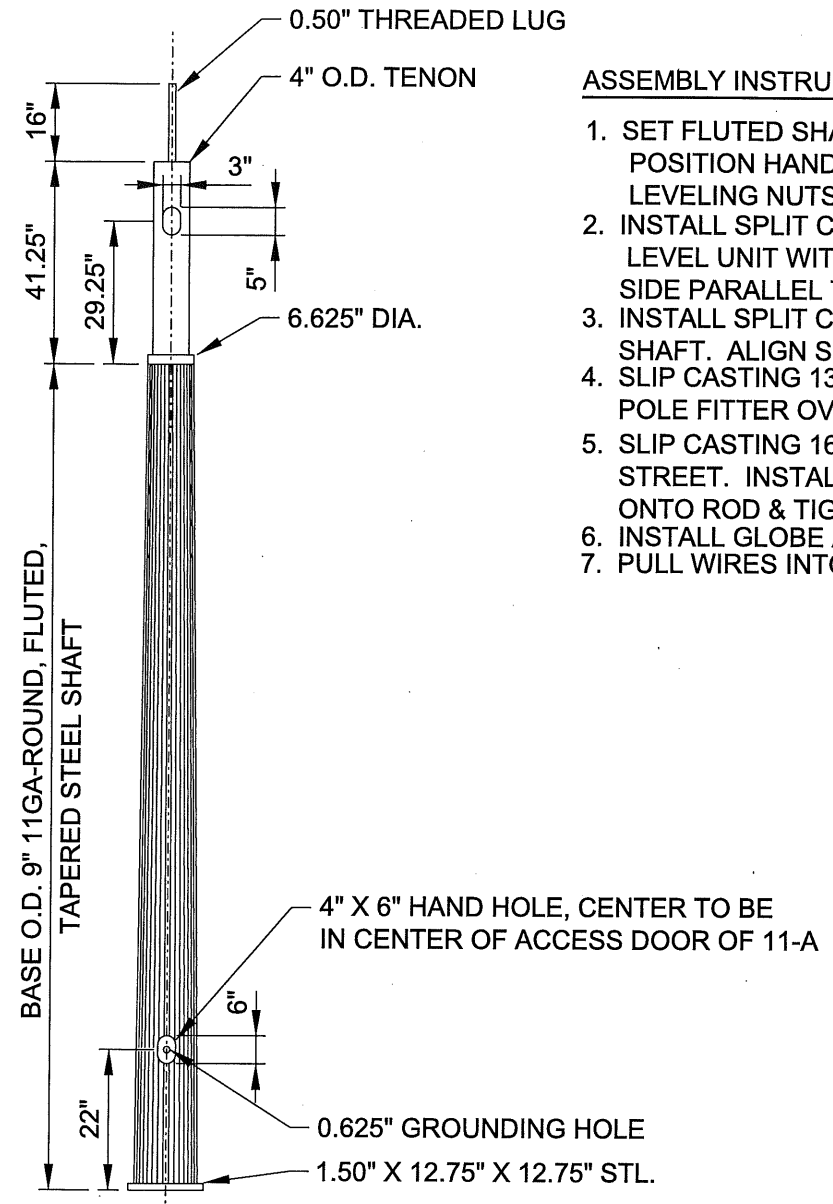
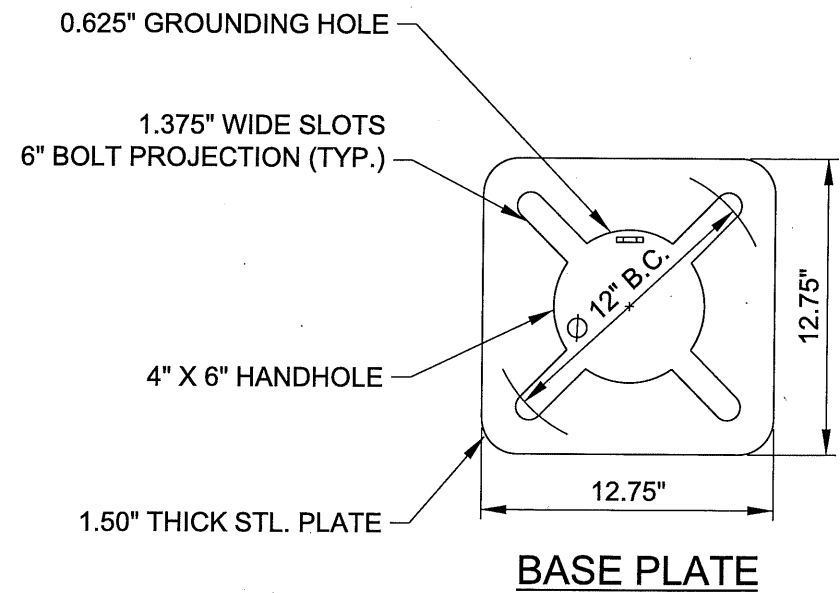


TWIN TRADITIONAL POLE ASSEMBLY

(NOT TO SCALE)



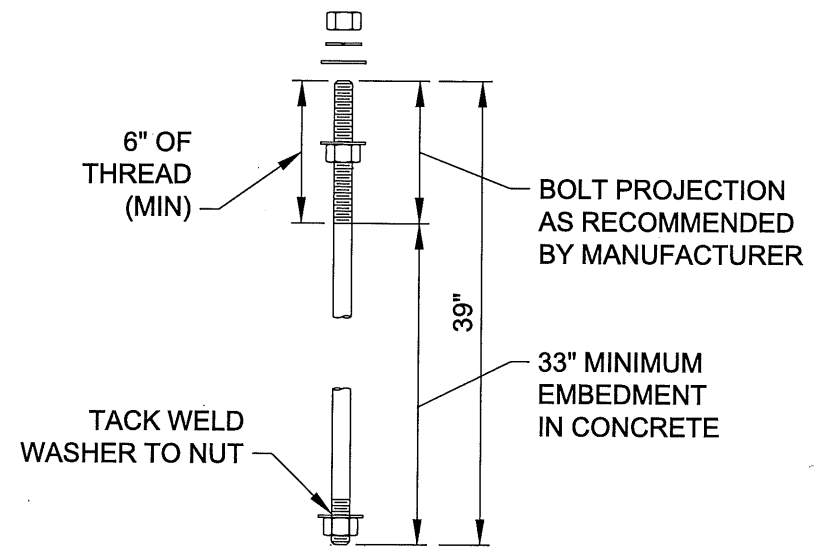
TWIN TRADITIONAL POLE SHAFT ASSEMBLY



BASE PLATE

ASSEMBLY INSTRUCTIONS :

1. SET FLUTED SHAFT ON FOUNDATION, USE DOUBLE NUTS TO PLUMB SHAFT, POSITION HANDHOLE ON SIDE OPPOSITE APPROACHING TRAFFIC. ADJUST LEVELING NUTS TO PLUMB POLE IN ALL DIRECTIONS.
2. INSTALL SPLIT CASTING 10C LOWER BASE AROUND FLUTED SHAFT AND LEVEL UNIT WITH SHIMS AND GROUTING TO FINISH GRADES. SET ONE FLAT SIDE PARALLEL TO CURB.
3. INSTALL SPLIT CASTING 11C UPPER BASE AND 12C LOWER COLLAR OVER FLUTED SHAFT. ALIGN SHAFT HANDHOLE WITH POLE HANDHOLE.
4. SLIP CASTING 13C UPPER POLE COLLAR, 14C LOWER POLE FITTER & 15C UPPER POLE FITTER OVER FLUTED SHAFT.
5. SLIP CASTING 16C OVER POLE AND SET ON CASTING 15C. ALIGN 90 DEGREE TO STREET. INSTALL CASTING 17C SPIRE SUPPORT, THREAD 18C TOP SPIRE CASTING ONTO ROD & TIGHTEN.
6. INSTALL GLOBE AND LED RETROFIT KIT.
7. PULL WIRES INTO THE ARM, CONNECT WIRES TO THE LED ASSEMBLY.



- (4) 1 1/4" GALV. STL. ANCHOR BOLTS F1554 GRADE 36
- (12) 1 1/4" GALV. STL. HEX NUTS
- (4) 1 1/4" GALV. STL. LOCKWASHERS
- (12) 1 1/4" GALV. STL. FLATWASHERS

ANCHOR BOLT DETAIL

<p>The selection and use of this Standard Drawing, while designed in accordance with generally accepted engineering principles and practices, is the sole responsibility of the user.</p>	<p>BUREAU OF TRANSPORTATION CITY OF PORTLAND, OREGON</p> <p><i>Steve Tom</i> Chief Engineer</p>	
	<p>Standard Drawing Title</p> <p>STREET LIGHTING TWIN ORNAMENTAL POLE DETAILS</p>	
	<p>Effective Date: 03-10-15</p>	<p>Standard Drawing No.</p> <p>P-652</p>
<p>Note: All material and workmanship shall be in accordance with the City of Portland Standard Construction Specifications.</p>	<p>Calc. Book No.:</p>	<p>Baseline Report Date:</p>

Plot Date: 3/10/2015 14:22:55 PM