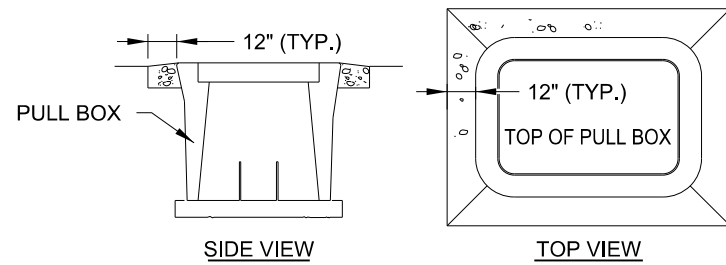
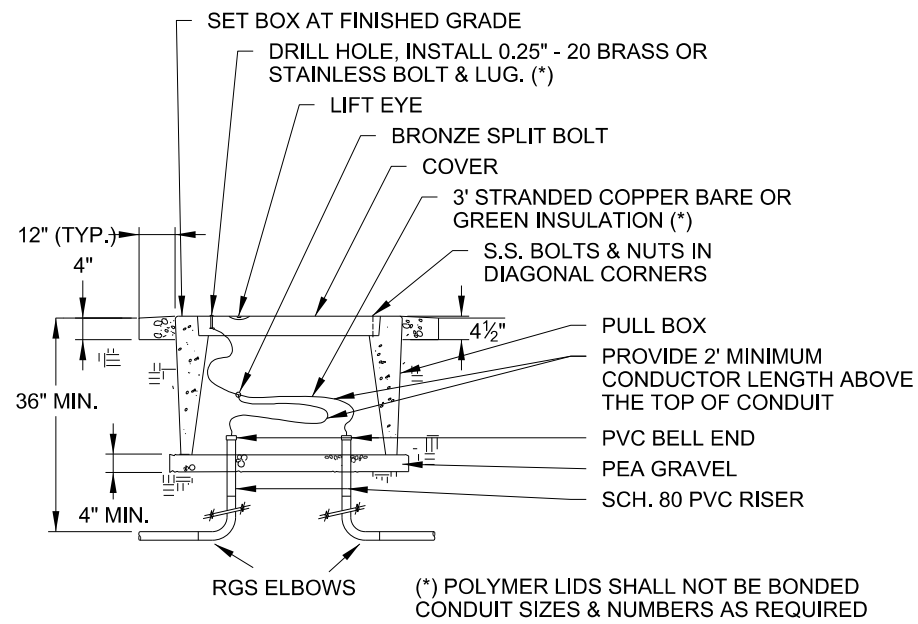
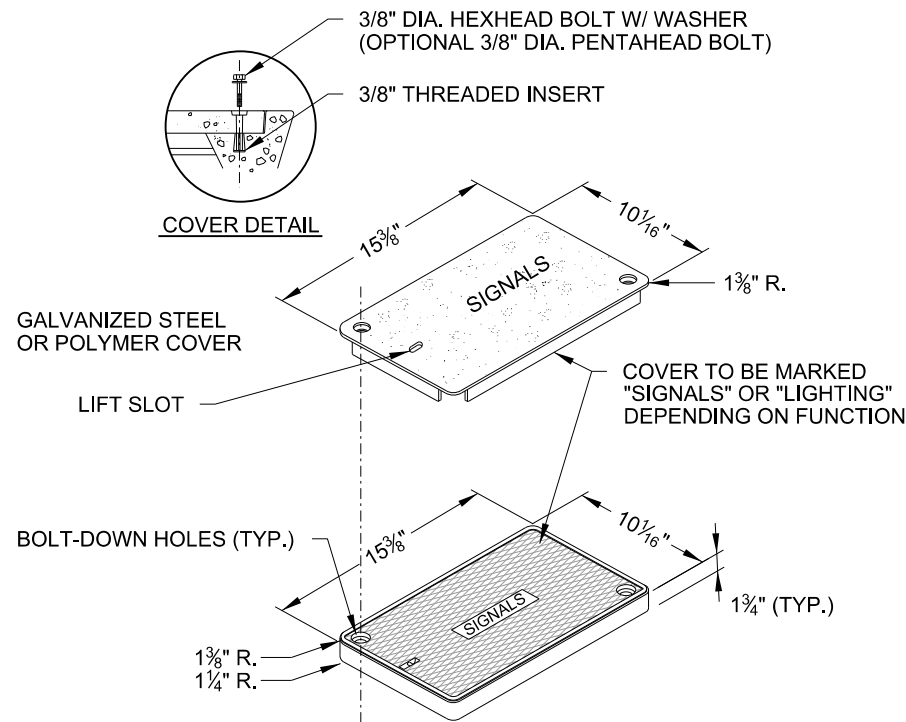


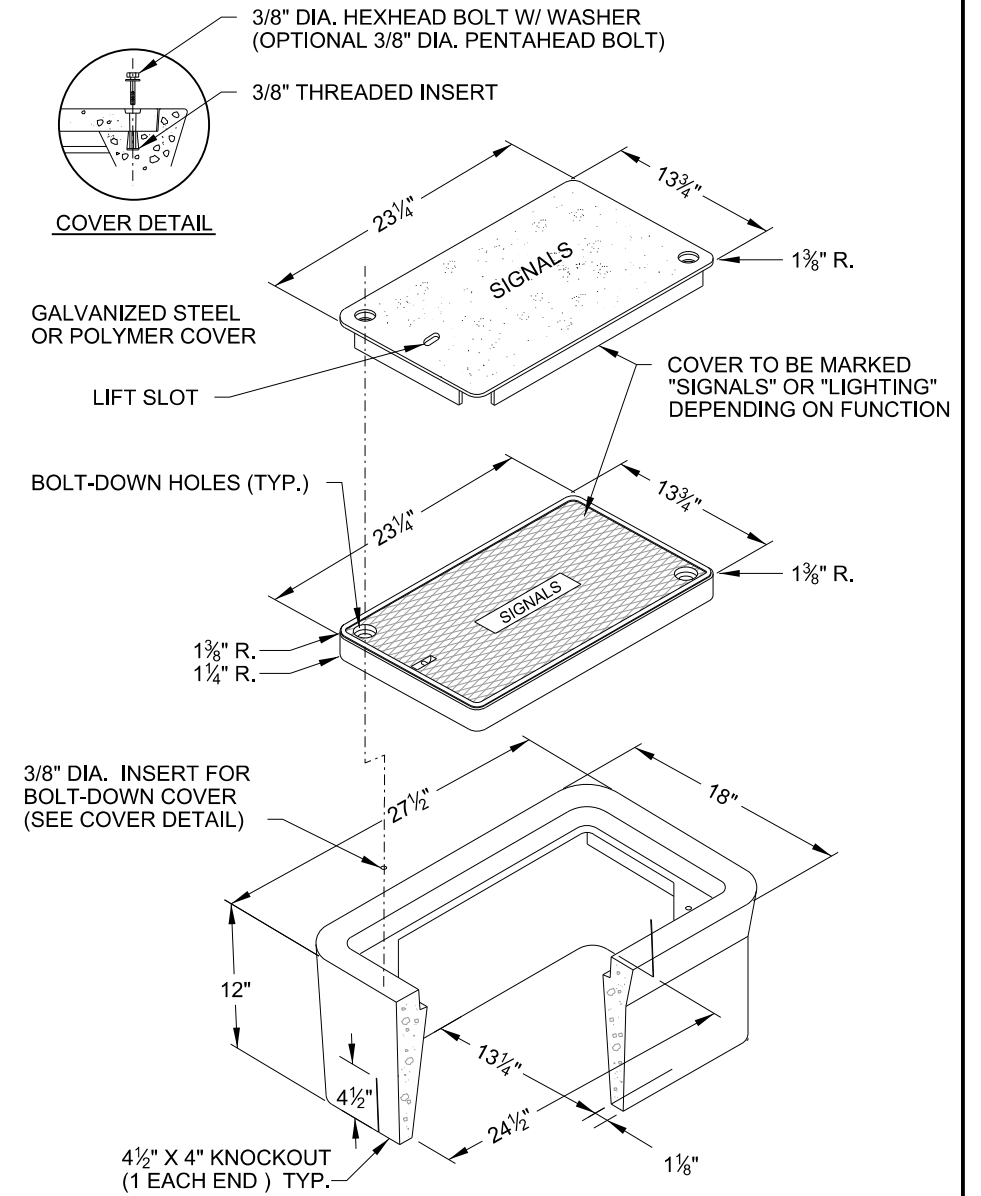
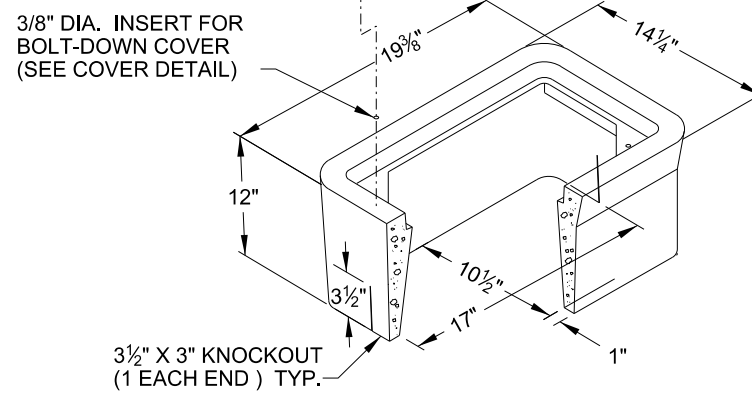
**SIDEWALK PULL-BOX
 TYPICAL INSTALLATION**



**PULL-BOX OUTSIDE OF SIDEWALK
 TYPICAL INSTALLATION**



TYPE "A" PULL BOX



TYPE "B" PULL BOX

The selection and use of this Standard Drawing, while designed in accordance with generally accepted engineering principles and practices, is the sole responsibility of the user.

Note:
 All material and workmanship shall be in accordance with the City of Portland Standard Construction Specifications.

PBOT PORTLAND BUREAU OF TRANSPORTATION

Steve Tourean
 City Engineer

Standard Drawing Title
**PULL BOX
 TYPE A & B
 DETAILS**

| | | |
|------------------------|------------|----------------------|
| Effective Date: | 11-05-2019 | Standard Drawing No. |
| Calc. Book No.: | n/a | P-632 |
| Std. Drg. Report Date: | 11-03-2017 | |

NOT TO SCALE